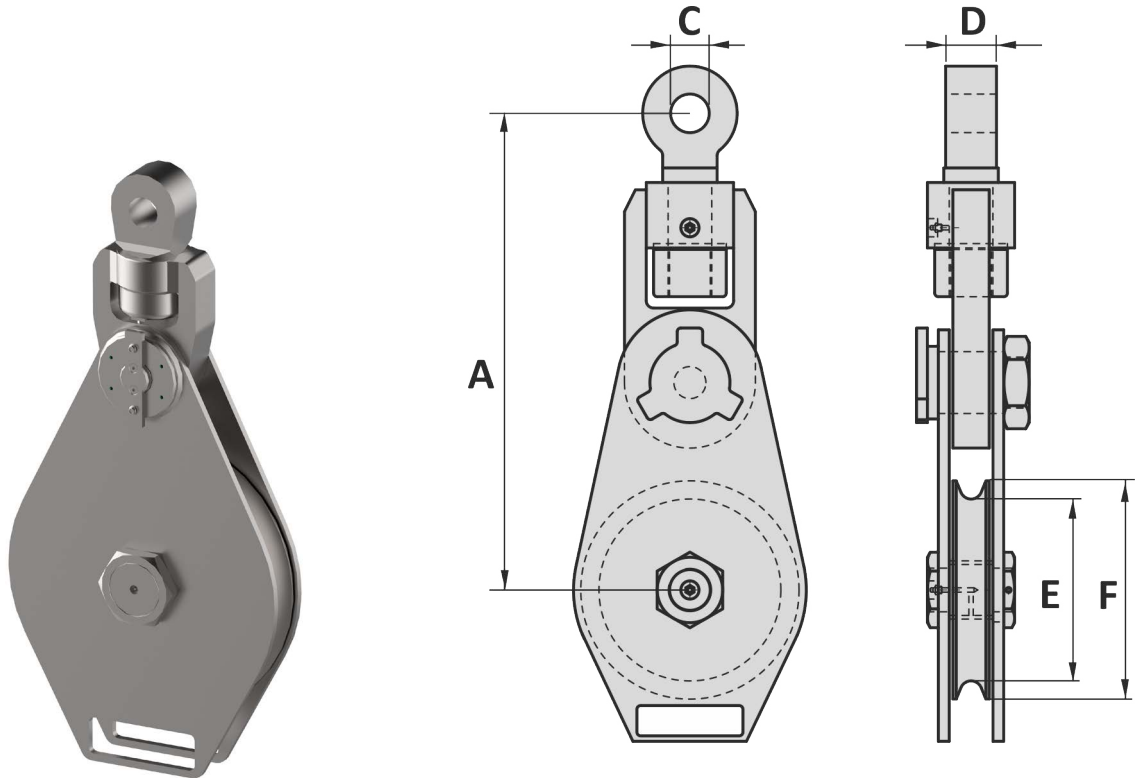


Material : Mild steel
 Safety factor : 4 times
 Finish : Painted
 Temperature range : -20°C up to +200°C
 Standard certification : Certificate of Conformity

Sheaves with bronze bearing,
 Sheaves with roller bearing on requested

Groove size can be changed on request for bigger rope sizes



| Art. No. | Type No. | WLL ton | Rope size mm | Line pull ton | A mm | C mm | D mm | E mm | F mm | Weight kg |
|----------|----------|---------|--------------|---------------|------|------|------|------|------|-----------|
| 20143118 | SH43118 | 35 | 32 - 38 | 17.5 | 680 | 60 | 80 | 380 | 450 | 160 |
| 20143224 | SH43224 | 55 | 38 - 42 | 27.5 | 850 | 73 | 100 | 520 | 605 | 260 |
| 20143230 | SH43230 | 85 | 44 - 48 | 42.5 | 1020 | 85 | 120 | 640 | 760 | 484 |
| 20143234 | SH43234 | 120 | 50 - 55 | 60 | 1190 | 100 | 140 | 740 | 860 | 740 |
| 20143236 | SH43236 | 150 | 60 - 70 | 75 | 1320 | 113 | 160 | 760 | 910 | 992 |
| 20143242 | SH43242 | 200 | 75 - 85 | 100 | 1490 | 135 | 170 | 870 | 1060 | 1573 |
| 20143246 | SH43246 | 250 | 88 - 93 | 125 | 1645 | 145 | 190 | 970 | 1170 | 2097 |

Tolerance: Machined parts ± 1 mm

| Art. No. | Type No. | WLL ton | Rope size mm | Line pull ton | A inch | C inch | D inch | E inch | F inch | Weight lbs |
|----------|----------|---------|--------------|---------------|----------------------------------|---------------------------------|---------------------------------|----------------------------------|----------------------------------|------------|
| 20143118 | SH43118 | 35 | 32 - 38 | 17.5 | 26 ²⁵ / ₃₂ | 2 ³ / ₈ | 3 ⁵ / ₃₂ | 14 ³ / ₃₂ | 17 ²³ / ₃₂ | 353 |
| 20143224 | SH43224 | 55 | 38 - 42 | 27.5 | 33 ¹⁵ / ₃₂ | 2 ⁷ / ₈ | 3 ¹⁵ / ₁₆ | 20 ¹⁵ / ₃₂ | 23 ¹³ / ₁₆ | 573 |
| 20143230 | SH43230 | 85 | 44 - 48 | 42.5 | 40 ⁵ / ₃₂ | 3 ¹¹ / ₃₂ | 4 ²³ / ₃₂ | 25 ³ / ₁₆ | 29 ¹⁵ / ₁₆ | 1067 |
| 20143234 | SH43234 | 120 | 50 - 55 | 60 | 46 ²⁷ / ₃₂ | 3 ¹⁵ / ₁₆ | 5 ¹ / ₂ | 29 ¹ / ₈ | 33 ⁷ / ₈ | 1631 |
| 20143236 | SH43236 | 150 | 60 - 70 | 75 | 51 ³ / ₃₂ | 4 ³ / ₁₆ | 6 ⁵ / ₁₆ | 29 ¹⁵ / ₁₆ | 35 ¹³ / ₁₆ | 2187 |
| 20143242 | SH43242 | 200 | 75 - 85 | 100 | 58 ² / ₃₂ | 5 ⁵ / ₁₆ | 6 ¹¹ / ₁₆ | 34 ¹ / ₄ | 41 ³ / ₄ | 3468 |
| 20143246 | SH43246 | 250 | 88 - 93 | 125 | 64 ³ / ₄ | 5 ²³ / ₃₂ | 7 ¹⁵ / ₃₂ | 38 ³ / ₁₆ | 46 ¹ / ₁₆ | 4623 |

Tolerance: Forged parts ± 5%, machined parts ± 1/32 inch

21-06-2018