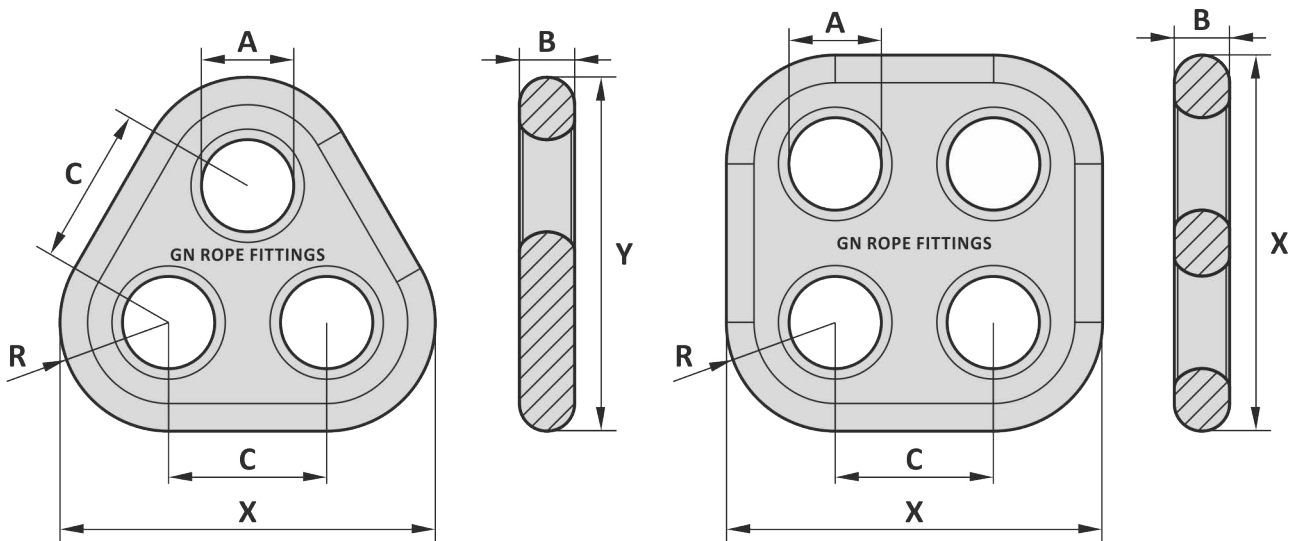
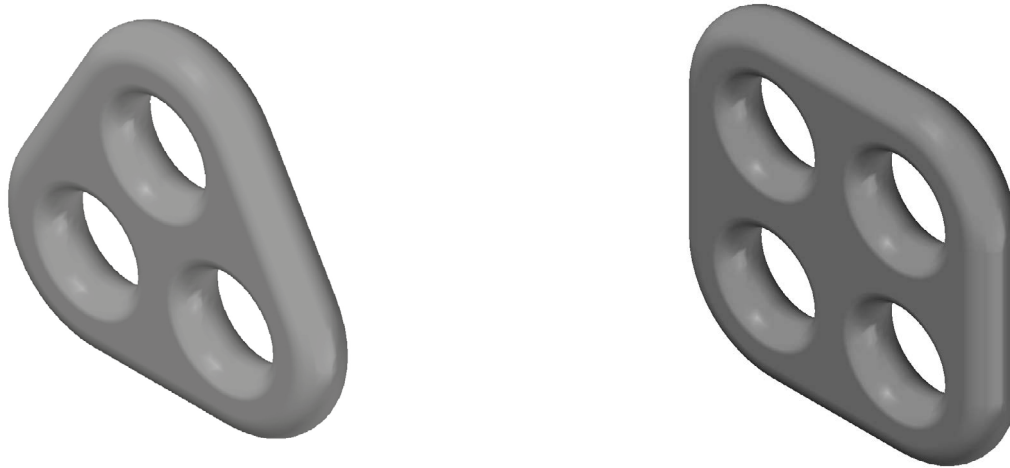


Material : Alloy steel, Grade R4/R5
 Safety factor : 5 times
 Finish : Painted
 Temperature range : -40°C up to +200°C, Polar Rated
 Standard certification : Certificate of Conformity
 3.1 material certificated EN 10204

Non-standard sizes or custom products available on request



Art. No.	Chain	PL	MBL	A	B	C	R	X	Y	Weight
Triangle plate	mm	kN	kN	mm	mm	mm	mm	mm	mm	kg
75007684	76-84	5682	7208	140	84	240	165	570	538	104
Quad plate										
76007684	76-84	5682	7208	140	84	240	165	570		138

Tolerance: Machined parts ± 1 mm

Art. No.	Chain	PL	MBL	A	B	C	R	X	Y	Weight
Triangle plate	mm	kN	kN	inch	inch	inch	inch	inch	inch	lbs
75007684	76-84	5682	7208	5 ½	3 ⅝	9 ⅞	6 ½	22 ⅞	21 ⅜	229
Quad plate										
76007684	76-84	5682	7208	5 ½	3 ⅝	9 ⅞	6 ½	22 ⅞		304

Tolerance: Machined parts ± ½ mm

17-09-2015