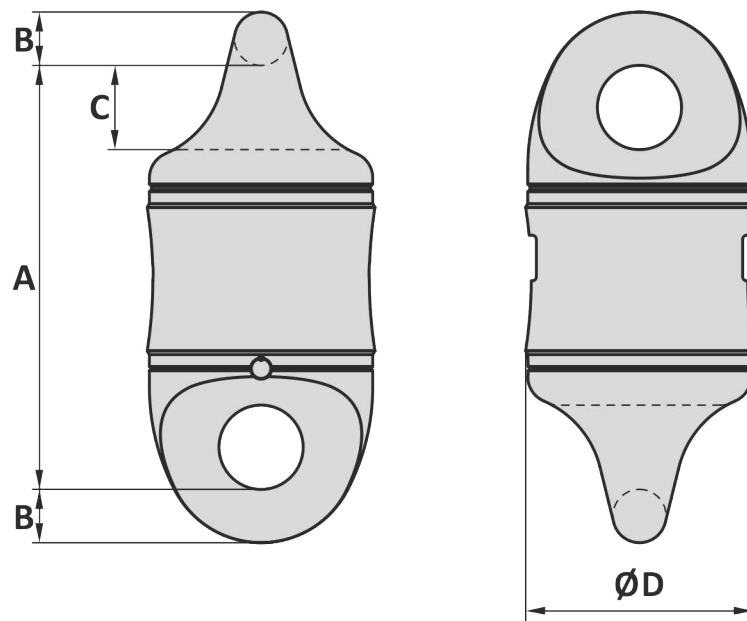


Material : Alloy steel, Grade R4/R5
 Finish : Painted
 Temperature range : -20°C up to +200°C
 Standard certification : Certificate of Conformity
 3.1 material certificate EN 10204



Art. No.	Size inch	Kenter inch	R4 PL kN	R4 MBL kN	R5 PL kN	R5 MBL kN	A mm	B mm	C mm	D mm	Weight kg
47060400	2 ½	2 ½ - 3	3440	4364	3997	5096	540	64	100	275	187
47060600	3	3 - 3 ½	4731	6001	5498	7009	605	76	120	325	284
47060800	3 ½	3 ½ - 4	6310	8004	7332	9348	670	89	140	380	427

Tolerance: ± 5%, machined parts ± 1 mm

Art. No.	Size inch	Kenter inch	R4 PL kN	R4 MBL kN	R5 PL kN	R5 MBL kN	A inch	B inch	C inch	D inch	Weight lbs
47060400	2 ½	2 ½ - 3	3440	4364	3997	5096	21 ¼	2 ½	3 ⅞	10 ⅜	412
47060600	3	3 - 3 ½	4731	6001	5498	7009	23 ⅞	3	4 ⅝	12 ⅜	626
47060800	3 ½	3 ½ - 4	6310	8004	7332	9348	26 ⅝	3 ½	5 ½	14 ⅜	941

Tolerance: ± 5%, machined parts ± ½ inch

04-01-2017