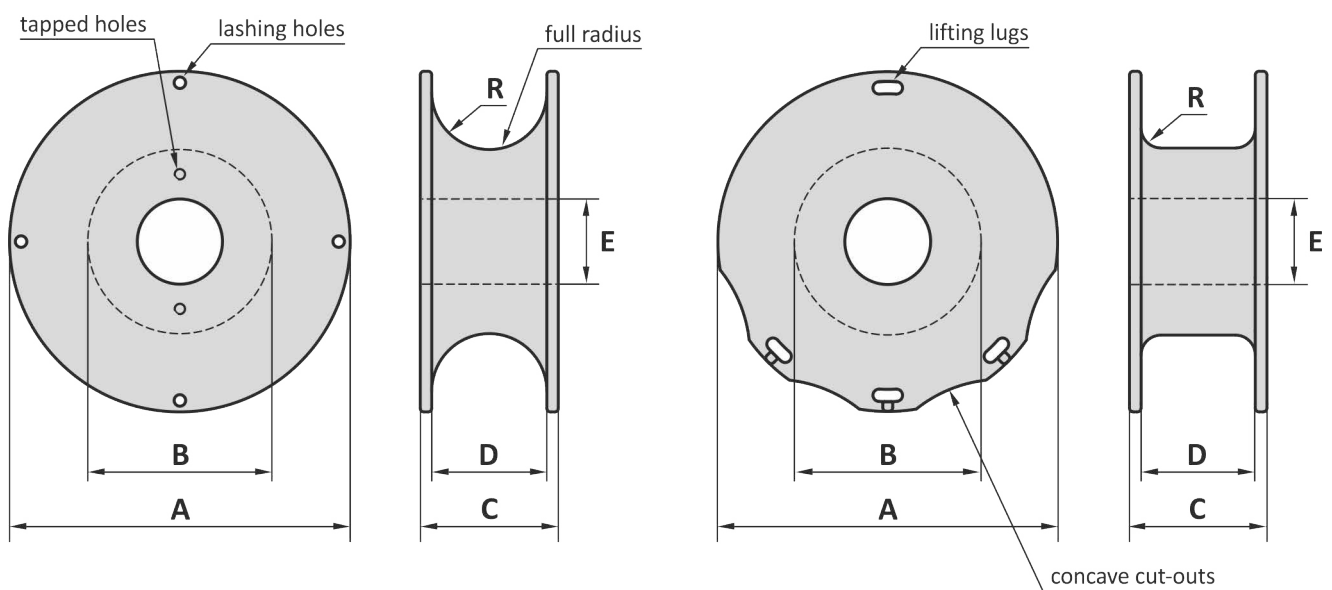
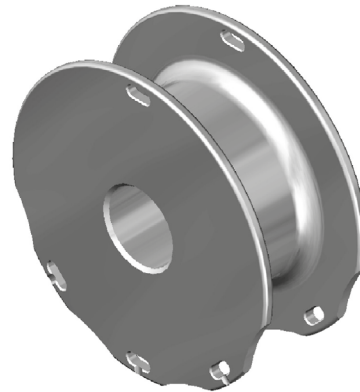


Material : Alloy steel, Grade R3/R3S/R4/R4S/R5
 High tensile steel
 Finish : Painted or galvanized
 Temperature range : -40°C up to +200°C, Polar Rated
 Standard certification : Certificate of Conformity
 3.1 material certificate EN 10204

to suit:
shackle - rope
H- or Y-link - rope
plate connector - rope



Dimensions on customer request

Available with: Lashing holes

Lifting lugs

Concave cut-outs

Full radius shape

Tapped holes (for lifting)

Orkot bush

Tolerance: Machined part ± 1 mm

14-10-2014