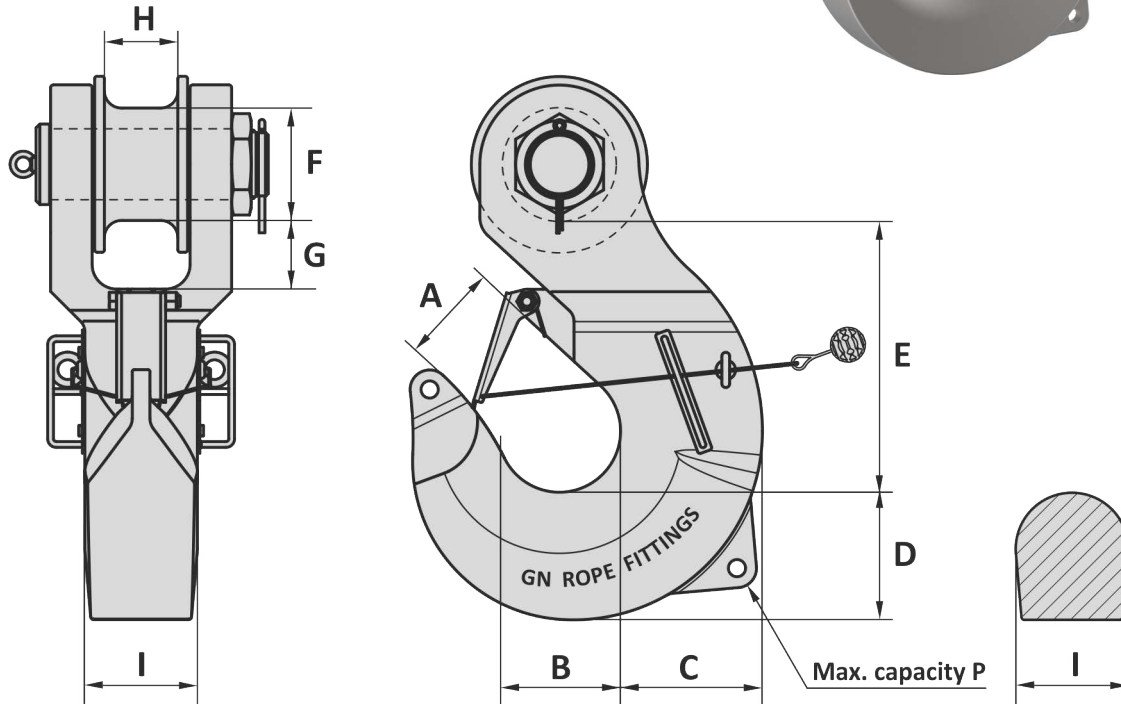
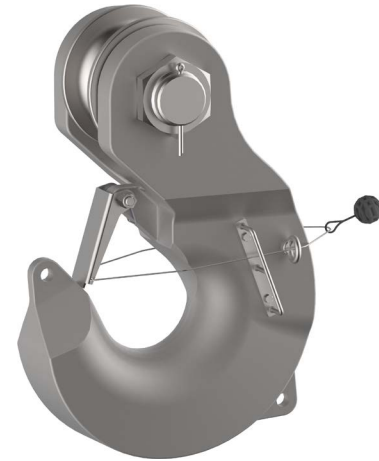


Material : Alloy steel
 Safety factor : 4 times
 Finish : Painted
 Temperature range : -40°C up to +200°C, Polar Rated
 Standard certification : Certificate of Conformity
 3.1 material certificated EN 10204

Non-standard sizes or custom products available on request



Art. No.	WLL ton	MBL ton	A mm	B mm	C mm	D mm	E mm	F mm	G mm	H mm	I mm	P ton	Weight kg
76000080	80	320	120	140	180	160	350	120	80	85	120	4.75	151
76000100	100	400	135	160	190	165	390	140	90	100	140	4.75	214
76000150	150	600	147	180	230	200	430	180	100	110	180	6.5	361
76000200	200	800	174	210	260	230	495	200	125	135	200	8.5	536
76000250	250	1000	202	250	290	260	555	230	140	150	230	9.5	787
76000300	300	1200	235	300	320	280	630	260	155	170	260	12	1065
76000400	400	1600	249	320	350	310	700	300	180	200	300	17	1471
76000500	500	2000	269	340	390	340	750	320	190	215	320	17	1841
76000600	600	2400	279	350	420	370	785	340	200	230	340	25	2289

Tolerance: Machined parts ± 1 mm

Art. No.	WLL ton	MBL ton	A inch	B inch	C inch	D inch	E inch	F inch	G inch	H inch	I inch	P ton	Weight lbs
76000080	80	320	4 23/32	5 1/2	7 3/32	6 5/16	13 25/32	4 23/32	3 5/32	85	4 23/32	4.75	333
76000100	100	400	5 5/16	6 5/16	7 15/32	6 1/2	15 11/32	5 1/2	3 5/16	100	5 1/2	4.75	472
76000150	150	600	5 25/32	7 3/32	9 1/16	7 7/8	16 15/16	7 3/32	3 15/16	110	7 3/32	6.5	796
76000200	200	800	6 23/32	8 1/4	10 1/4	9 1/16	19 1/2	7 7/8	4 15/16	135	7 7/8	8.5	1182
76000250	250	1000	7 15/16	9 27/32	11 13/32	10 1/4	21 27/32	9 1/16	5 1/2	150	9 1/16	9.5	1735
76000300	300	1200	9 1/4	11 13/16	12 19/32	11 1/2	24 13/16	10 1/4	6 3/32	170	10 1/4	12	2348
76000400	400	1600	9 13/16	12 19/32	13 25/32	12 3/16	27 9/16	11 13/16	7 3/32	200	11 13/16	17	3243
76000500	500	2000	10 19/32	13 3/8	15 11/32	13 3/8	29 1/2	12 19/32	7 15/32	215	12 19/32	17	4059
76000600	600	2400	11	13 25/32	16 1/32	14 9/16	30 29/32	13 3/8	7 7/8	230	13 3/8	25	5046

Tolerance: Machined parts ± 1/32 inch

01-04-2017