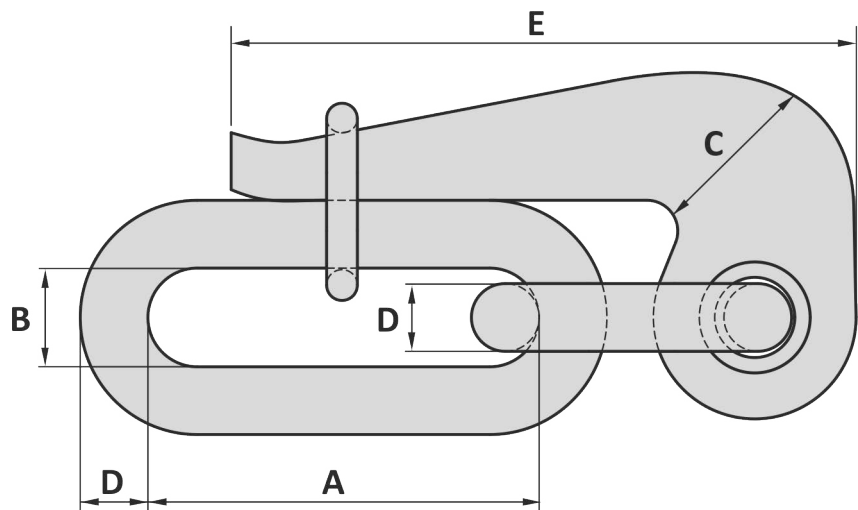


Material : High tensile steel
 Safety factor : 4 times
 Finish : Galvanized
 Temperature range : -20°C up to +200°C
 Standard certification : Certificate of Conformity



Art. No.	WLL ton	D mm	A mm	B mm	C mm	E mm	Weight kg
44100000	0.4	9	89	16	27	125	0.62
44120000	0.75	12	102	22	28	165	0.95
44160000	1.25	16	130	23	42	180	1.5
44200000	2	22	170	34	46	230	3.5
44250000	5	25	200	38	66	280	7.6
44350000	9	32	260	58	88	360	14

Tolerance: Forged parts ± 5%, machined parts ± 1 mm

Art. No.	WLL ton	D inch	A inch	B inch	C inch	E inch	Weight lbs
44100000	0.4	11/32	3 1/2	5/8	1 1/16	4 15/16	1.4
44120000	0.75	15/32	4	7/8	1 3/32	6 1/2	2.1
44160000	1.25	5/8	5 1/8	29/32	1 21/32	7 3/32	3.3
44200000	2	3/4	6 11/16	1 11/32	1 13/16	9 1/16	7.7
44250000	5	1	7 7/8	1 1/2	2 19/32	11 1/32	17
44350000	9	1 1/4	10 1/4	2 5/32	3 15/32	14 3/16	31

Tolerance: Forged parts ± 5%, machined parts ± 1/32 inch

01-08-2012