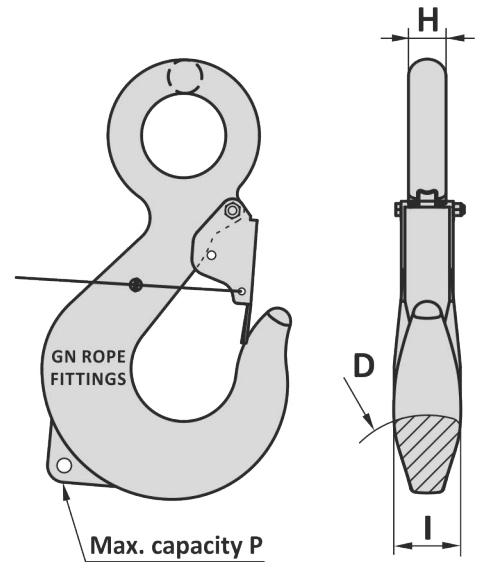
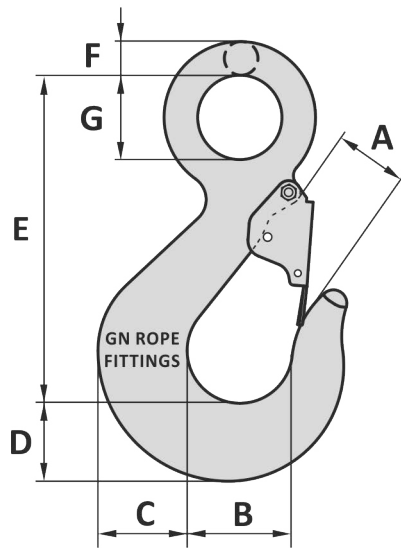


Material : Alloy steel
 Safety factor : 4 times
 Finish : Painted
 Temperature range : -40°F up to +392°F, Polar Rated
 Standard certification : Certificate of Conformity
 3.1 material certificate EN 10204

Spare latches available on request

Standard hook with safety latch

ROV-hook



Art. No. standard	Art. No. ROV	WLL ton	MBL ton	A inch	B inch	C inch	D inch	E inch	F inch	G inch	H inch	I inch	P ton	Weight lbs
51000008	51000009	8	32	2 1/8	2 11/16	2 3/32	1 7/8	8	1	1 31/32	1	1 1/2		8.2
51000012	51000013	12.5	50	2 13/16	3 3/8	2 11/16	2 13/32	9 31/32	1 1/4	2 1/2	1 1/4	1 7/8		17
51000016	51000017	16	64	3 3/16	3 25/32	3	2 11/16	11 3/16	1 13/32	2 23/32	1 13/32	2 3/32		22
51000020	51000021	20	80	3 19/32	4 7/32	3 3/8	3	12 9/16	1 9/16	3 3/16	1 9/16	2 13/32		29
51000028	51000029	28	112	2 13/16	4 13/32	3 25/32	3 1/4	13 19/16	1 1/2	3 3/4	1 1/2	2 15/32		37
51000031	51000032	31	125	3 3/16	4 15/16	4 3/16	3 3/8	15 1/16	1 1/16	3 15/16	1 11/16	2 3/4		51
51000040	51000041	40	160	3 21/32	5 1/2	4 9/16	4 1/16	18	1 7/8	5 1/8	1 7/8	3 1/2		75
51000050	51000051	50	200	4 3/16	6 7/32	5 5/16	4 9/16	19 1/2	2 1/8	5 5/8	2 1/8	3 1/2		108
51000063	51000064	63	250	4 11/16	6 15/16	5 15/16	5 1/8	22 1/4	2 3/8	5 29/32	2 3/8	3 29/32		139
51000080	51000081	80	320	5 5/32	7 13/16	6 5/8	5 23/32	27 5/32	2 5/8	6 11/16	2 5/8	4 1/16		218
51000100	51000101	100	400	5 15/16	8 7/8	7 11/16	6 25/32	28 9/16	3 1/8	6 7/8	3 1/8	4 15/16	4.75	353
51000150	51000151	150	600	6 13/16	9 23/32	8 7/8	7 27/32	30 1/8	3 3/8	5 5/8	3 3/8	6 5/16	6.5	573
51000200	51000201	200	800	7 7/8	10 13/16	10 1/4	9 5/16	33 15/32	4	5 29/32	4	7 3/32	8.5	919
51000250	51000251	250	1000	9 3/16	12 3/16	11 13/32	10 19/32	36 17/32	4 23/32	6 11/16	4 23/32	7 7/8	9.5	1270
51000300	51000301	300	1200	10 3/8	13 25/32	13	12 3/16	41 19/32	5 1/2	7 15/32	5 1/2	8 23/32	12	1808
51000400	51000401	400	1600	11 15/16	15 3/4	14 31/32	13 9/16	47 1/16	6 1/16	8 3/4	6 1/16	9 1/16	17	2480
51000500	51000501	500	2000	14 9/16	17 23/32	16 1/8	15 11/32	53 9/16	7 7/8	8 15/32	7 7/8	12 19/32	17	4057

Tolerance: Forged parts ± 5%, machined parts ± 1/32 inch

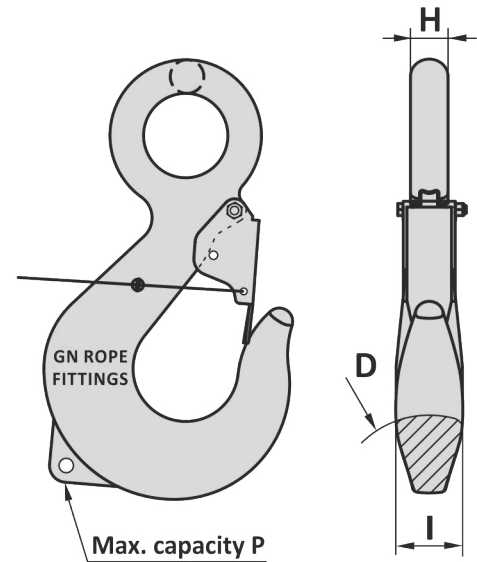
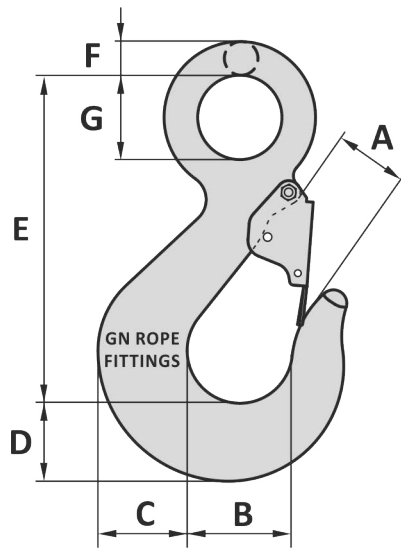
25-08-2014

Material : Alloy steel
 Safety factor : 4 times
 Finish : Painted
 Temperature range : -40°C up to +200°C, Polar Rated
 Standard certification : Certificate of Conformity
 3.1 material certificate EN 10204

Spare latches available on request

Standard hook with safety latch

ROV-hook



Art. No. standard	Art. No. ROV	WLL ton	MBL ton	A mm	B mm	C mm	D mm	E mm	F mm	G mm	H mm	I mm	P ton	Weight kg
51000008	51000009	8	32	54	68	53	48	203	25	50	25	38		3.7
51000012	51000013	12.5	50	71	86	68	61	253	32	64	32	48		7.6
51000016	51000017	16	64	81	96	76	68	284	36	72	36	53		10
51000020	51000021	20	80	91	107	86	76	319	40	81	40	61		13
51000028	51000029	28	112	71	112	96	83	354	38	95	38	63		17
51000031	51000032	31	125	81	125	106	92	389	43	100	43	70		23
51000040	51000041	40	160	93	140	116	103	457	48	130	48	80		34
51000050	51000051	50	200	106	158	135	116	495	54	130	54	89		49
51000063	51000064	63	250	119	176	151	130	565	60	150	60	99		63
51000080	51000081	80	320	131	198	168	145	690	67	170	67	110		99
51000100	51000101	100	400	151	225	195	172	725	79	175	79	125	4.75	160
51000150	51000151	150	600	173	250	225	199	765	86	130	86	160	6.5	260
51000200	51000201	200	800	200	275	260	237	850	102	150	102	180	8.5	417
51000250	51000251	250	1000	233	310	290	269	928	120	170	120	200	9.5	576
51000300	51000301	300	1200	264	350	330	310	1052	140	190	140	220	12	820
51000400	51000401	400	1600	303	400	380	344	1195	170	210	170	240	17	1125
51000500	51000501	500	2000	370	450	410	390	1360	200	215	200	320	17	1840

Tolerance: Forged parts ± 5%, machined parts ± 1 mm

25-08-2014