

SEALINK®

Quality Rigging Products




Associated
WIRE ROPE & RIGGING

 **ABEL**

www.AssociatedWireRope.com / sales@awrrinc.com / Phone: 310.448.5444

The Company _____ Pg. 04

General Cautions or Warnings _____ Pg. 05

PRODUCT CERTIFICATION

Quality Control & Manufacturing Processes _____ Pg. 10

SERIES 100 _____ Pg. 11

Wood Shell Blocks

SERIES 200 _____ Pg. 15

Heavy Duty Wood Shell Blocks

SERIES 200NT _____ Pg. 19

Heavy Duty Non-Toppling Wood Shell Blocks

SERIES 250 _____ Pg. 23

Steel Shell Manila Rope Blocks

SERIES 320 _____ Pg. 27

Malleable Style Steel Shell Manila Rope Blocks

SERIES 386 _____ Pg. 31

Wood Shell Snatch Blocks

SERIES 391 _____ Pg. 33

Steel Shell Snatch Blocks



SERIES 400 _____ Pg. 35

Steel Shell Wire Rope Snatch Blocks



SERIES 561 _____ Pg. 41

Cargo Hoisting Blocks



SERIES 620 _____ Pg. 43

Medium Weight Oval Pattern Construction Blocks



SERIES 640 _____ Pg. 47

Extra Heavy Oval Pattern Construction Blocks



SERIES 660 _____ Pg. 51

Steel Shell Wire Rope Blocks



Top Fittings Available on most Block Models _____ Pg. 55



Sheaves _____ Pg. 57

Sheaves for Medium Weight and extra Heavy Oval Pattern Construction Blocks



Industrial Marine & Fishing-Specific Blocks _____ Pg. 59



Accessories and Other Specialty Products _____ Pg. 63



Distribution of Pulley Block in Fishing Vessels _____ Pg. 66



SEALINK®

Quality Rigging Products

Associated Wire Rope & Rigging distributes **Sea-Link** products in North America. Associated first introduced these products to the market in 2001 and has experienced a very positive reception with tremendous growth. The Sea-Link brand includes products for construction, fishing & marine, mining and general lifting and rigging applications.

The Sea-Link products are made in Peru by our manufacturing partner, Productos Forjados/Abel. With more than 35 years experience, Productos Forjados has 150 dedicated employees who work in a sprawling facility in Lima. Their manufacturing expertise plus in-house design and testing capabilities make them a full service supplier to Associated Wire Rope.

This catalog shows many of the Sea-Link products offered to the North American market. The current catalog shows a broad line of products that are made to the highest standards to meet your daily lifting and rigging requirements.

The comprehensive offering includes:

- wood and steel shell manila rope blocks.
- wood and steel shell manila rope snatch blocks with various top fittings.
- steel shell wire rope blocks, small and large.
- cargo hoisting blocks with Timken roller bearings with full ABS certification.
- galvanized construction blocks in a variety of sizes at various capacities.
- mid-size wire rope snatch blocks from 8 to 20 Ton with shackle, hook and tailboard with bronze bushing or roller bearing.
- plus many accessories and special order items to complete a very wide array of Sea-Link products.

We are always looking to add new products to the Sea-Link line, so don't hesitate to ask your representative should you not see exactly what you are looking for. If we don't have it in stock there is a good chance that it can be made to meet your needs.



General Cautions or Warnings

Important:

For maximum safety, tackle blocks and sheaves used within a system must be properly designed, used, and maintained. All personnel must understand the use of tackle block components and sheaves in the system. This information provides this knowledge.

Read them carefully and completely.

Some of the text within these cautions/warnings use technical words and detailed explanations.

NOTE: If you do not understand all words and definitions – DO NOT TRY TO DESIGN OR USE A TACKLE BLOCK OR SHEAVE SYSTEM!

Ratings shown in this literature apply to products that are new or in “as new” condition.

Working Load Limit ratings indicate the greatest force or load a product can carry under normal operating conditions. Shock loads and any abnormal conditions must be taken into account when selecting products for use in tackle block and sheave systems.

Shown Working Load Limit ratings are based on all sheaves of tackle block system being utilized. If all sheaves are not utilized, correct balance must be maintained, and the Working Load Limit must be reduced proportionally to prevent overloading sheave components being used.

Full sheave reeving arrangement should be changed only at the recommendation of a qualified person, and incorporate good rigging practices.

Products shown in this literature are used as parts of a system designed to accomplish a task. The Working Load Limit or Design (Safety) Factor of each product may be affected by wear, misuse, overloading, corrosion, deformation, intentional alteration, and other conditions of use. Regular inspections must be conducted to determine whether product use can be continued at the catalog assigned WLL, a reduced WLL, or having the product withdrawn from service.

Products in this catalog are intended for tension or straight line pull. Side loading must be avoided, as it exerts additional force or loading which the product

is not designed to accommodate.

Always make sure the hook bowl supports the load. The latch and hook tip must never support the load.

Welding of load supporting parts or products can be hazardous. Proper knowledge of materials, heat treatment, and welding procedures are necessary for proper welding. The manufacturer should be consulted for information.

Crane component parts and wire ropes are metallic and will conduct electricity. Read and understand the OSHA standard covering crane operations (29 CFR 1926.1501 SUBPART N) before operating near power lines.

Definitions

STATIC LOAD – The load resulting from a constantly applied force or load.

WORKING LOAD LIMIT – The maximum mass or force which the product is authorized to support in general service when the pull is applied in-line, unless otherwise noted, with respect to the center line of the product. This term may also be shown as WLL; SWL; Safe Working Load; Resultant Safe Working Load.

WORKING LOAD – The maximum mass or force which the product is authorized to support in general service.

PROOF LOAD – The average force applied in the performance of a proof test or the average force to which a product may be subjected before deformation occurs.

PROOF TEST – A load test applied to a product to determine non-conforming material or manufacturing defects.

ULTIMATE LOAD – The average load or force at which the product fails, or no longer supports the load.

SHOCK LOAD – A force or load that results from the rapid application of a force (such as impacting and/or jerking). A shock load significantly adds to the static load.

DESIGN (SAFETY) FACTOR – An industry term denoting a product’s theoretical reserve capability, usually computed by dividing the catalog Ultimate Load by the Working Load Limit. It is normally expressed as a ratio of 4 : 1 for blocks.

TACKLE BLOCK – An assembly consisting of side plates, sheaves, center pin and an end fitting (hook, shackle, etc.) that is used for lifting, lowering, or applying tension.

Fitting Maintenance

Fittings, including hooks and overhaul balls may become worn and disfigured from use, corrosion and abuse, which may result in nicks, gouges and worn shank threads and bearings which may produce additional stress loads and reduce the system load capacity. Grinding is the procedure recommended to restore a smooth surface on the product. Maximum allowance for reduction of a product’s original dimension due to wear or repair before it should be removed from service is:

1. Any single direction - No more than 10% of original dimension;
2. Two directions - No more than 5% of each dimension.

Any greater dimensional reduction may require a reduced Working Load Limit. Any crack or deformation in a fitting is sufficient cause to remove the product from service.

Selection Guide

Certain blocks are named for their intended use and selection is routine. Examples include “Double Rig Trawl Blocks” used in the fishing industry; “Well Loggers Blocks” used in the oil drilling industry; and “Cargo Hoisting Blocks” used in the freighter boat industry. Others blocks have a more general nature,

and have a variety of uses. Examples include snatch blocks, regular wood blocks, standard steel blocks, etc.

A tackle block sheave assembly is one element of a system used to lift, change direction or drag a load. Other elements in the system include the prime mover (hoist, winch, hand); support structures; available power source, etc. All of these elements can influence the type of tackle block or sheave required. When selecting blocks or sheaves for the system you require, you should consider all elements .

To select a tackle block or sheave to fit your requirements, consider the following points:

1. Regulations which could affect your choice of blocks or sheaves (federal or state), OSHA, elevator safety, mine safety, maritime, insurance, etc.?
2. Weight of the load, including any dynamics of impacts that add to load value? You must include weight of all components to determine the minimum required Working Load Limit value of the block or load on sheave.
3. How many parts of line are required? This can be determined given the load to be lifted and the line pull you have available.
4. What is the size of line to be used? Multiply the available line pull by the desired safety factor for Wireline to determine the minimum catalog Wireline breaking strength; consult a Wireline catalog for the corresponding grade and diameter of Wireline to match.
5. What is the line speed? This will help you determine the type of sheave bearing necessary. There are several choices of bearings suitable for different applications, including:
 - A. Common (Plain) Bore for very slow line speeds and very infrequent use (high bearing friction).
 - B. Self Lubricating Bronze Bushings for slow line speeds and infrequent use (moderate

General Cautions or Warnings

bearing friction).

C. Bronze Bushing with pressure lubrication for slow line speeds and more frequent use at greater loads (moderate bearing friction).

D. Anti-friction Bearings for faster line speeds and more frequent use at greater loads (minimum bearing friction).

6. What type of fitting is required for your application? Will the block be traveling or stationary?

Your normal choices include single or multiple hooks with or without safety latches, and shackles, which are the most secured load attachment. You should also determine whether the fitting should be fixed, swivel or swivel with lock. If it is a swivel fitting, then a thrust bearing may be necessary. There are plain fittings with no bearings for positioning at no load, bronze bushed fittings for infrequent and moderate load swiveling, and fittings with anti-friction bearings for frequent load swiveling.

7. How will the block be reeved and does it require a dead end becket?

8. If it is a traveling block, how much weight is required to overhaul the line?

9. What is the fleet angle of the Wireline? Line entrance and exit angles should be no more than 1-1/2 degrees.

10. Will the block or sheave be maintained regularly, or does your application require special considerations.

Tackle Block and Sheave Maintenance

Tackle Blocks and Sheaves must be regularly inspected, lubricated, and maintained for peak efficiency and extended service. Proper maintenance is of equal importance to other mechanical equipment. The frequency of inspection and lubrication depends on the

frequency and periods of use, environmental conditions, and the user's good judgment.

Inspection: As a minimum, the following points should be considered:

1. Wear on pins or axles, rope grooves, side plates, bushing or bearings, cases, trunnions, hook shanks, and fittings. Excessive wear may be a cause to replace parts or remove block or sheave from service.
2. Deformation of any component of the block or sheave assembly. Deformation can be caused by abusive service or overload and may be a cause to remove block or sheave from service.
3. Misalignment or wobble in sheaves.
4. Securement of nuts, bolts, and other locking methods, especially after reassembly after tear down inspections. Original securement method should be used; e.g., staking, set screw, cotter pin, cap screw.
5. Pins retained by snap rings should be checked for missing or loose rings.
6. Sheave center pin nuts should be checked for proper positioning. Pins for tapered roller bearings should be tightened to remove all end play during sheave rotation.
7. Hook or shackle to swivel case clearance is set at the factory. Increased clearance can result from component wear.
8. Deformation or corrosion of hook and nut threads.
9. Loss of material due to corrosion or wear on external area of welded hook and nut may indicate thread corrosion or damage. If these conditions exist, remove from service or perform load test.

10. Surface condition and deformation of hook
11. Welded side plates for weld corrosion or weld cracking.
12. Hook latch for deformation, proper fit and operation.
13. Bushings with cracks on inside diameter or bushing end should be removed from service, as these are indications of bushing overload.

Lubrication:

The frequency of lubrication depends upon frequency and period of product use as well as environmental conditions, which are contingent upon the user's good judgment. Assuming normal product use, the following schedule is suggested when using lithium-base grease of a medium consistency.

SHEAVE BEARINGS

Tapered Roller Bearings – Every 40 hours of continuous operation or every 30 days of intermittent operation.

Roller Bearings – Every 24 hours of continuous operation or every 14 days of intermittent operation.

Bronze Bushings – (Not Self Lubricated) – Every 8 hours of continuous operation or every 14 days of intermittent operation.

Self Lubricating Bronze Bushing – are for slow line speeds and infrequent use (moderate bearing friction). Frequent inspection is required to determine the condition of bushing.

HOOK BEARINGS

Anti Friction – Every 14 days for frequent swiveling; every 45 days for infrequent swiveling.

Bronze Thrust Bushing or No Bearing Every 16 hours for frequent swiveling; every 21 days for infrequent swiveling.

Sheave Bearing Application Information

Sheaves in a system of blocks rotate at different rates of speed, and have different loads. When raising and lowering, line tension is not equal throughout the system.

BRONZE BUSHINGS

Bronze Bushings are used primarily for sheave applications using slow line speed, moderate load, and moderate use.

COMMON (PLAIN) BORE –

Very slow line speed, very infrequent use, low load.

ROLLER BEARING –

Faster line speeds, more frequent use, greater load. Refer to appropriate bearing manufacturer's catalog for proper bearing selection procedure.

Loads on Blocks

The Working Load Limit (WLL) for blocks indicates the maximum load that should be exerted on the block and its connecting fitting.

This total load value may be different from the weight being lifted or pulled by a hoisting or hauling system.

It is necessary to determine the total load being imposed on each block in the system to properly determine the rated capacity block to be used.

A single sheave block used to change load line direction can be subjected to total loads greatly different from the weight being lifted or pulled. The total load value varies with the angle between the incoming and departing lines to the block.

The Reeving of Tackle Blocks

In reeving of tackle blocks, there are many methods. The method discussed below is referred to as "Right Angle" reeving. Please consult your rigging manual for other methods of reeving.

General Cautions or Warnings

RIGHT ANGLE REEVING

In reeving a pair of tackle blocks, one of which has more than two sheaves, the hoisting rope should lead from one of the center sheaves of the upper block to prevent toppling and avoid injury to the rope. The two blocks should be placed so that the sheaves in the upper block are at right angles to those in the lower one.

Start reeving with the becket or dead end of the rope. Use a shackle block as the upper one of a pair and a hook block as the lower one. Sheaves in a set of blocks revolve at different rates of speed. Those nearest the lead line revolve at the highest rate of speed and wear out more rapidly. All sheaves should be kept well lubricated when in operation to reduce friction and wear.

How to Determine Overhauling Weights

To determine the weight of the block or overhaul ball that is required to free fall the block, the following information is needed: size of Wireline, number of line parts, type of sheave bearing, length of crane boom, and drum friction (use 50 lbs. unless other information is available).

WARNING !

- Failure to design and use tackle block systems properly may cause a load to slip or fall – resulting in serious injury or death.
- Failure to design lifting system with appropriate sheave assembly material for the intended application may cause premature sheave, bearing or Wireline wear and ultimate failure - the result could be serious injury or death.
- A potential hazard exists when lifting or dragging heavy loads with tackle block assemblies.
- A tackle block system should be rigged by a qualified person as defined by ANSI/ASME B30.26.
- Do not side load tackle blocks.
- See OSHA Rule 1926.1431(g)(1)(i)(A) and 1926.1501(g)(4)(iv)(B) for personnel hoisting by cranes and derricks, and OSHA Directive CPL 2-1.36 — Interim Inspection Procedures During Communication Tower Construction Activities.
- Instruct workers to be alert and to wear proper safety gear in areas where loads are moved or supported with tackle block systems.
- Instruct workers to keep hands and body away from block sheaves and swivels – and away from “pinch points” where the rope touches block parts or loads.
- Use only manufacturer supplied parts as replacement.
- Do not use a block or ball that does not have a legible identification and/or capacity tag.
- Read, understand, and follow these instructions to select, use and maintain tackle block systems.

Quality Control & Manufacturing Processes

Sea-Link products are designed and manufactured to the highest standard to provide excellent quality and customer satisfaction.

The Quality Control Department has the responsibility to implement procedures that insure that all the Sea-Link products meet or exceed current US and North American standards, including:

- Establishing Design & Engineering standards.
- Use of suitable raw materials.
- Control of critical variables during the manufacturing process.
- Testing of components and complete products.
- Issuing certificates and maintaining traceability standards.
- Establishing manufacturer's warranty criteria.

Some manufacturing highlights:

- Metal surfaces are either Hot Dip Galvanized or painted with Epoxy Paint.
- Wood components are lacquered to a high luster and to offer extra protection.
- Sea-Link Sheaves and Blocks include easy access grease ports.
- Many products available with either bronze bushings or roller bearings.



Product Certification

Sea-Link products are manufactured to meet or exceed current US Federal specifications / regulations, including:

- ASME B30.26 manufacturing processes.
- GGG-B-490F, GGG-B-500C, A-A-59808, A-A-59390, A-A-59809 & others. ASME B30.26 manufacturing processes.
- Manufacturer's Certificates available for each product.
- Internal testing on components regularly performed.
 - o Mechanical, Chemical Composition, Molecular Structure & Others.
- Sea-Link Cargo Blocks include American Bureau of Shipping (ABS) Certification.
- Other Third Party certification available upon request.
 - o ABS, Germanischer Lloyd GL, DNV, and others.
- Sea-Link products are covered by \$1 Million General Liability Product Insurance.

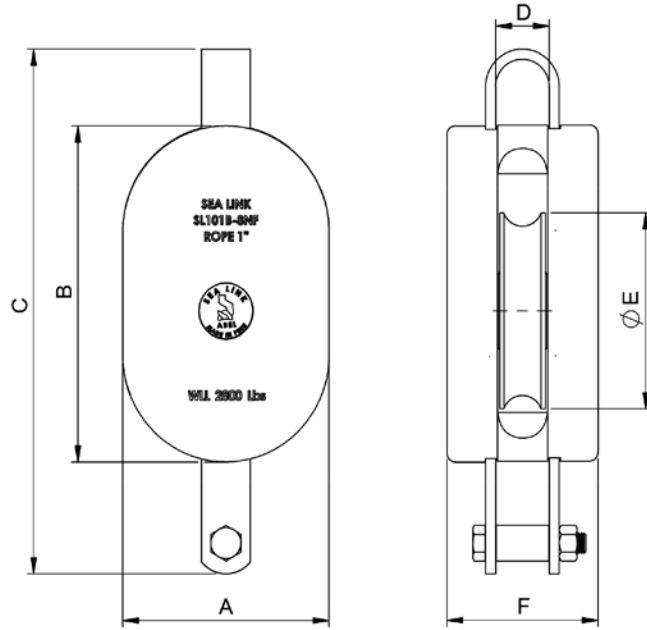


100 Series Wood Shell Blocks





No Fitting (NF)



Shackle (S)



Swivel Hook (SH)



Eye Hook (H)

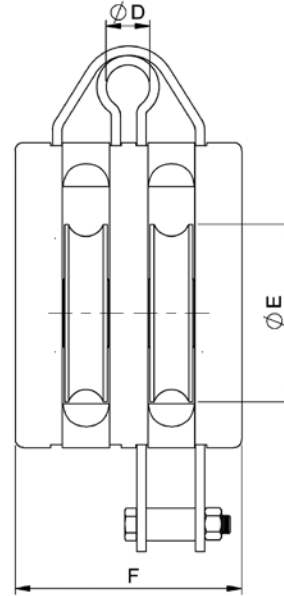
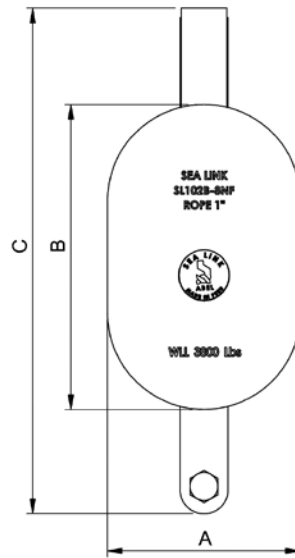
Model Nr.	WLL Lbs	Rope ØR	Dimensions						Weight (lbs)			
			A	B	C	D	ØE	F	S	SH	H	NF
									Shackle	Swivel Hook	Eye Hook	No Fitting
SL101B-3	500	3/8	2.3	3.7	6.1	0.6	1.75	1.9	1.2	1.2	1.2	1
SL101B-4	1000	1/2	2.8	4.6	7.5	0.7	2.25	2.2	2.3	2.3	2.3	1.5
SL101B-5	1200	5/8	3.5	5.7	9.2	1.0	3.0	3.1	4	4	4	3
SL101B-6	1800	3/4	4.1	6.9	10.5	1.1	3.5	3.1	5	5	5	4
SL101B-8	2800	7/8 - 1	5.2	8.1	12.7	1.3	4.75	3.8	13	13	13	11
SL101B-10	4000	1 1/8	6.6	10.8	16.0	1.5	6.0	4.0	18	18	18	12
SL101B-12	5000	1 1/4	8.5	12.8	19.3	1.7	8.0	4.7	30	30	30	23

- Blocks built to 4:1 Design Factor
- Blocks made with Sheave bronze bushings to SAE40 specifications
- All accessories are forged
- Blocks made with Santa Maria Hardwood, which has properties that are favorable for use in wood shell blocks
- Dimensions shown represent current models and are subject to change
- Blocks shown are standard models
- Custom models available upon request

See our warnings & application instructions



No Fitting (NF)



Shackle (S)



Swivel Hook (SH)



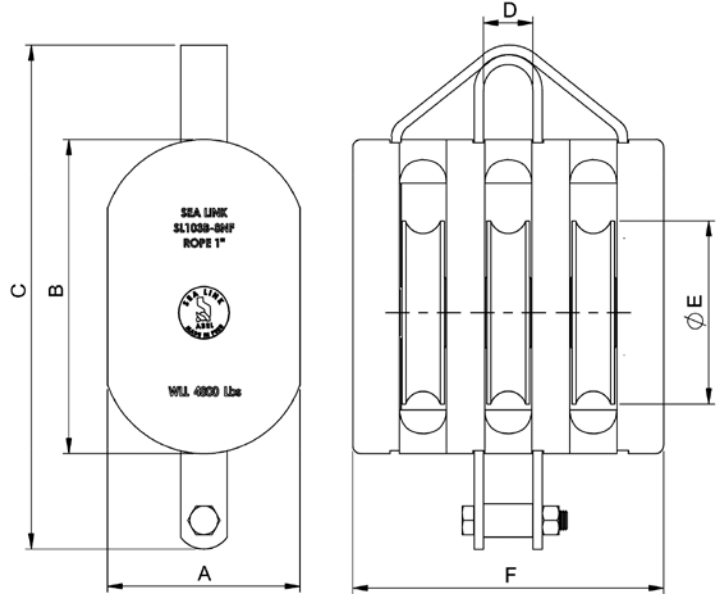
Eye Hook (H)

Model Nr.	WLL Lbs	Rope ØR	Dimensions						Weight (lbs)			
									S	SH	H	NF
			Shackle	Swivel Hook	Eye Hook	No Fitting						
SL102B-3	800	3/8	2.3	3.7	6.1	0.7	1.75	3.0	1.9	1.9	1.9	1.6
SL102B-4	1400	1/2	2.8	4.6	7.4	0.8	2.25	3.6	3.5	3.5	3.5	2.8
SL102B-5	1800	5/8	3.5	5.7	9.4	1.0	3.0	4.8	6.5	6.5	6.5	5
SL102B-6	2500	3/4	4.1	6.9	10.6	1.0	3.5	5.0	8	8	8	7
SL102B-8	3800	7/8 - 1	5.2	8.1	13.5	1.2	4.75	6.1	16	16	16	14
SL102B-10	6000	1 1/8	6.6	10.8	16.4	1.7	6.0	6.6	27	27	27	22
SL102B-12	8000	1 1/4	8.5	12.8	20.4	2.0	8.0	7.9	49	49	49	42

See our warnings & application instructions



No Fitting (NF)



Shackle (S)



Swivel Hook (SH)



Eye Hook (H)

Model Nr.	WLL Lbs	Rope ØR	Dimensions						Weight (lbs)			
			A	B	C	D	ØE	F	S Shackle	SH Swivel Hook	H Eye Hook	NF No Fitting
SL103B-3	1200	3/8	2.3	3.7	6.1	0.7	1.75	4.2	2.3	2.3	2.3	2.0
SL103B-4	1800	1/2	2.8	4.6	7.6	0.8	2.25	5.0	4	4	4	3.4
SL103B-5	2400	5/8	3.5	5.7	9.4	1.0	3.0	6.6	8	8	8	6.6
SL103B-6	3200	3/4	4.1	6.9	11.0	1.3	3.5	7.0	10	10	10	9
SL103B-8	4800	7/8 - 1	5.2	8.1	13.0	1.4	4.75	8.3	20	20	20	18
SL103B-10	8000	1 1/8	6.6	10.8	16.3	1.6	6.0	9.1	34	34	34	29
SL103B-12	10000	1 1/4	8.5	12.8	20.2	1.9	8.0	11.7	63	63	63	56

- Blocks built to 4:1 Design Factor
- Blocks made with Sheave bronze bushings to SAE40 specifications
- All accessories are forged
- Blocks made with Santa Maria Hardwood, which has properties that are favorable for use in wood shell blocks
- Dimensions shown represent current models and are subject to change
- Blocks shown are standard models
- Custom models available upon request

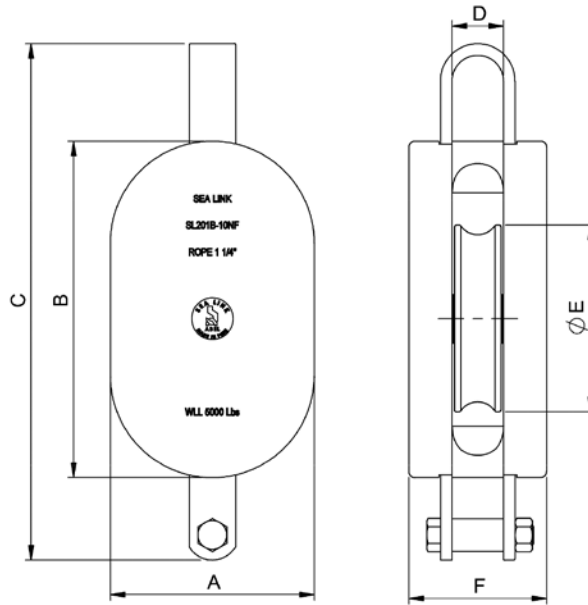
See our warnings & application instructions

200 Series Heavy Duty Wood Shell Blocks





No Fitting (NF)



Shackle (S)



Swivel Hook (SH)



Eye Hook (H)

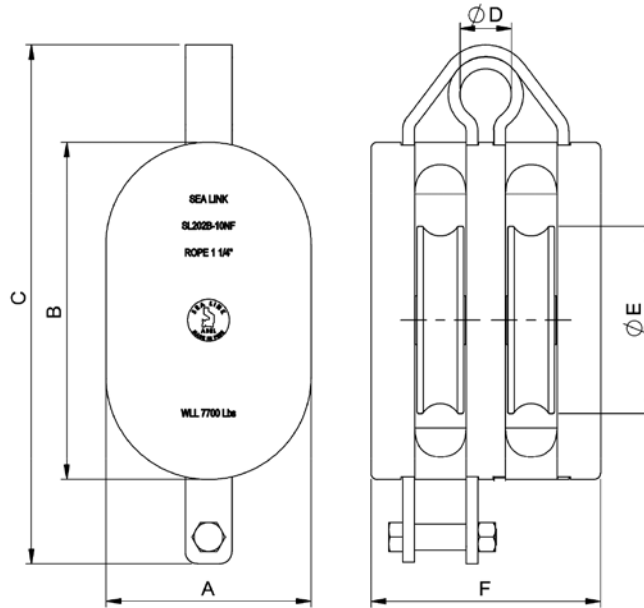
Model Nr.	WLL Lbs	Rope ØR	Dimensions						Weight (lbs)			
									S	SH	H	NF
			A	B	C	D	ØE	F	Shackle	Swivel Hook	Eye Hook	No Fitting
SL201B-6	2000	3/4	4.1	6.9	10.4	1.3	3.5	3.7	5.5	5.5	5.5	4
SL201B-8	3300	1 1/8	5.3	8.7	13.8	1.5	4.75	4.2	13	13	13	10
SL201B-10	5000	1 1/4	6.6	10.8	16.6	1.7	6.0	4.4	22	22	22	17
SL201B-12	6800	1 1/2	8.5	12.8	21.0	1.9	8.0	5.2	37	37	37	28
SL201B-14	9600	1 3/4	10.2	16.3	25.6	2.2	9.5	5.8	59	59	59	46
SL201B-16	12000	2	11.7	18.7	29.6	2.7	11.0	6.7	82	82	82	65

- Blocks built to 4:1 Design Factor.
- Blocks made with Bronze Bushed sheaves to SAE40 specifications.
- Available with self-lubricating graphite bronze sheave bushing per ASTM B438.
- All accessories are forged.
- Blocks made with Santa Maria Hardwood, which has properties that are favorable for use in wood shell blocks.
- Dimensions shown represent current models and are subject to change.
- Blocks shown here are standard models.
- Custom models available upon request.

See our warnings & application instructions



No Fitting (NF)



Shackle (S)



Swivel Hook (SH)



Eye Hook (H)

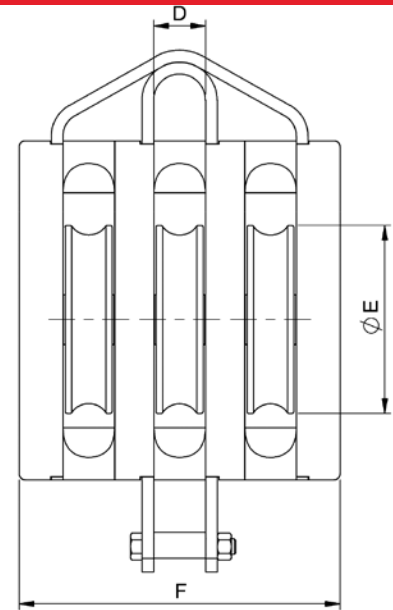
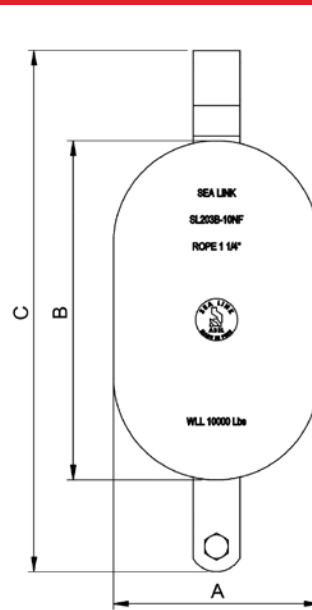
Model Nr.	WLL Lbs	Rope ØR	Dimensions						Weight (lbs)			
									S	SH	H	NF
			Shackle	Swivel Hook	Eye Hook	No Fitting						
SL202B-6	3300	3/4	4.1	6.9	10.7	1.0	3.5	5.8	8	8	8	7
SL202B-8	5100	1 1/8	5.3	8.7	14.8	1.3	4.75	6.8	20	20	20	17
SL202B-10	7700	1 1/4	6.6	10.8	16.6	1.7	6	7.4	34	34	34	29
SL202B-12	10600	1 1/2	8.5	12.8	21.0	2.0	8	8.4	59	59	59	49
SL202B-14	15000	1 3/4	10.2	16.3	25.6	2.2	9.5	9.4	96	96	96	84
SL202B-16	19000	2	11.7	18.7	30.1	2.2	11	11.2	132	132	132	114

- Blocks built to 4:1 Design Factor.
- Blocks made with Bronze Bushed sheaves to SAE40 specifications.
- Available with self-lubricating graphite bronze sheave bushing per ASTM B438.
- All accessories are forged.
- Blocks made with Santa Maria Hardwood, which has properties that are favorable for use in wood shell blocks.
- Dimensions shown represent current models and are subject to change.
- Blocks shown here are standard models.
- Custom models available upon request.

See our warnings & application instructions



No Fitting (NF)



Shackle (S)



Swivel Hook (SH)



Eye Hook (H)

Model Nr.	WLL Lbs	Rope ØR	Dimensions						Weight (lbs)			
			A	B	C	D	ØE	F	S Shackle	SH Swivel Hook	H Eye Hook	NF No Fitting
SL203B-6	4000	3/4	4.1	6.9	10.7	1.3	3.5	8.0	11	11	11	9
SL203B-8	7000	1 1/8	5.3	8.7	14.8	1.3	4.75	9.3	25	25	25	22
SL203B-10	10000	1 1/4	6.6	10.8	16.6	1.7	6	10.3	43	43	43	37
SL203B-12	14000	1 1/2	8.5	12.8	20.7	2.0	8	11.7	73	73	73	63
SL203B-14	20000	1 3/4	10.2	16.3	25.6	2.2	9.5	13.1	114	114	114	102
SL203B-16	24000	2	11.7	18.7	30.1	2.7	11	15.7	166	166	166	149

- Blocks built to 4:1 Design Factor.
- Blocks made with Bronze Bushed sheaves to SAE40 specifications.
- Available with self-lubricating graphite bronze sheave bushing per ASTM B438.
- All accessories are forged.
- Blocks made with Santa Maria Hardwood, which has properties that are favorable for use in wood shell blocks.
- Dimensions shown represent current models and are subject to change.
- Blocks shown here are standard models.
- Custom models available upon request.

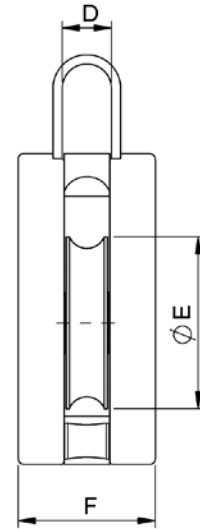
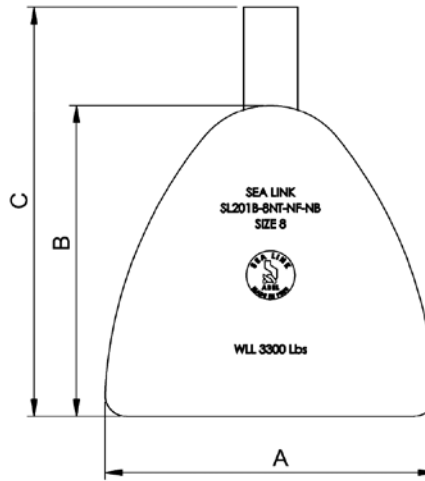
See our warnings & application instructions

200 Series Heavy Duty Non-Toppling Wood Shell Blocks





No Fitting (NF)
No Becket (NB)



Shackle (S)
No Becket (NB)



Shackle (S)

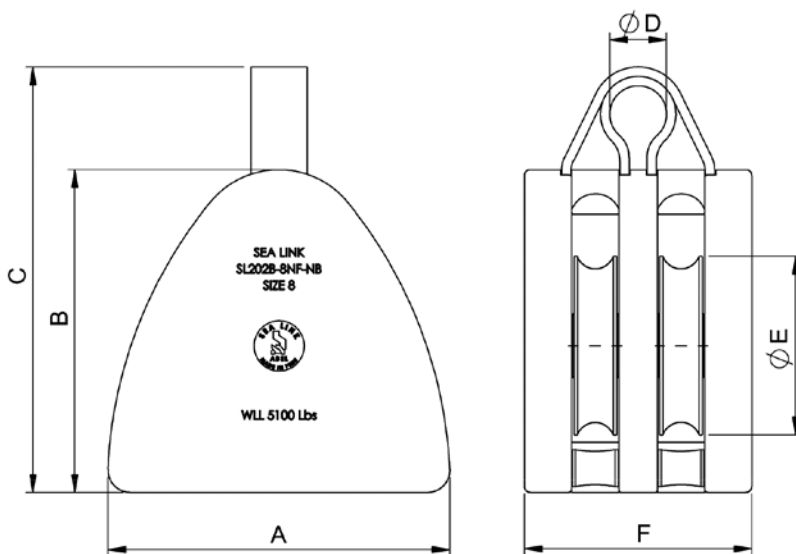
Model Nr.	WLL Lbs	Rope ØR	Dimensions							Weight (lbs)	
			A	B	C	D	ØE	F	Ø Shackle	NF	S
										No Fitting	Shackle
SL201B-8	2800	1 1/8	9.1	8.6	11.3	1.3	4.8	3.8	7/8	10	13
SL201B-10	4000	1 1/4	11.8	11.2	14.8	1.7	6.3	4.4	1	18	23
SL201B-12	5000	1 1/2	15.4	14.4	19.1	1.9	8.0	5.1	1 1/8	36	44

- Blocks built to 4:1 Design Factor.
- Blocks made with Bronze Bushed sheaves to SAE40 specifications.
- Available with self-lubricating graphite bronze sheave bushing per ASTM B438.
- All accessories are forged.
- Blocks made with Santa Maria Hardwood, which has properties that are favorable for use in wood shell blocks.
- Dimensions shown represent current models and are subject to change.
- Blocks shown here are standard models.
- Custom models available upon request.

See our warnings & application instructions



No Fitting (NF)
No Becket (NB)



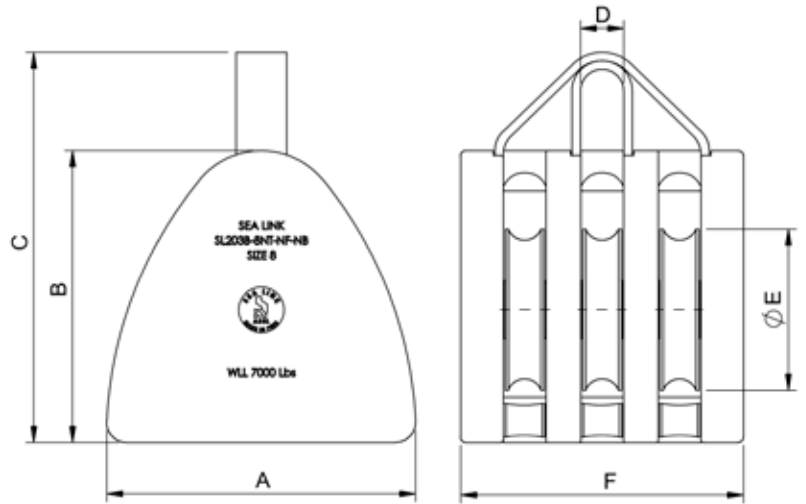
Shackle (S)
No Becket (NB)

Shackle (S)

Model Nr.	WLL Lbs	Rope ØR	Dimensions							Weight (lbs)	
			A	B	C	ØD	ØE	F	ØShackle	NF	S
										No Fitting	Shackle
SL202B-8	5100	1 1/8	9.1	8.6	11.6	1.5	4.8	6.1	7/8	17	21
SL202B-10	7100	1 1/4	11.8	11.2	15.2	1.6	6.3	7.2	1	33	39
SL202B-12	10600	1 1/2	15.4	14.4	19.5	1.7	8.0	8.4	1 1/8	64	70

- Blocks built to 4:1 Design Factor.
- Blocks made with Bronze Bushed sheaves to SAE40 specifications.
- Available with self-lubricating graphite bronze sheave bushing per ASTM B438.
- All accessories are forged.
- Blocks made with Santa Maria Hardwood, which has properties that are favorable for use in wood shell blocks.
- Dimensions shown represent current models and are subject to change.
- Blocks shown here are standard models.
- Custom models available upon request.

See our warnings & application instructions



No Fitting (NF)
No Becket (NB)



Shackle (S)
No Becket (NB)



Shackle (S)

Model Nr.	WLL Lbs	Rope ØR	Dimensions							Weight (lbs)	
			A	B	C	D	ØE	F	Ø Shackle	NF	S
										No Fitting	Shackle
SL203B-8	7000	1 1/8	9.1	8.6	11.6	1.3	4.8	8.3	7/8	22	26
SL203B-10	10000	1 1/4	11.8	11.2	15.2	1.7	6.3	10.0	1	44	48
SL203B-12	14000	1 1/2	15.4	14.4	19.5	1.9	8.0	11.7	1 1/8	80	88

- Blocks built to 4:1 Design Factor.
- Blocks made with Bronze Bushed sheaves to SAE40 specifications.
- Available with self-lubricating graphite bronze sheave bushing per ASTM B438.
- All accessories are forged.
- Blocks made with Santa Maria Hardwood, which has properties that are favorable for use in wood shell blocks.
- Dimensions shown represent current models and are subject to change.
- Blocks shown here are standard models.
- Custom models available upon request.

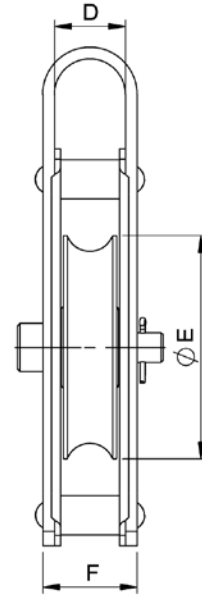
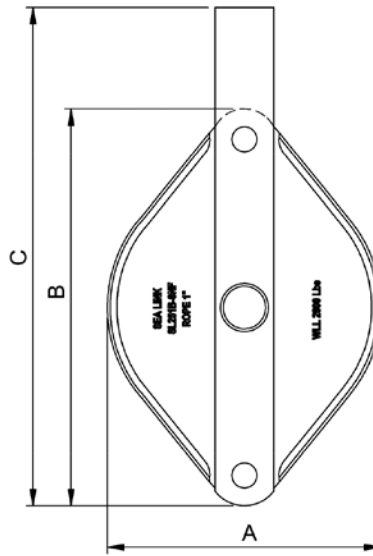
See our warnings & application instructions

250 Series Steel Shell Manila Rope Blocks





No Fitting (NF)



Shackle (S)



Swivel Hook (SH)



Eye Hook (H)

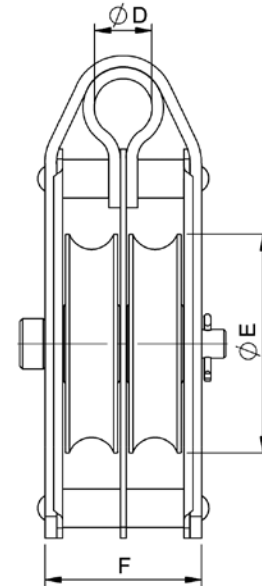
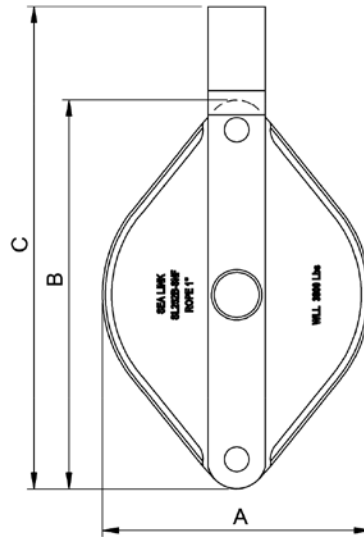
Model Nr.	WLL Lbs	Rope ØR	Dimensions						Weight (lbs)			
									S	SH	H	NF
			A	B	C	D	ØE	F	Shackle	Swivel Hook	Eye Hook	No Fitting
SL251B-3	500	3/8	2.2	3.7	4.8	0.9	1.75	1.1	1.5	1.5	1.5	1.2
SL251B-4	1000	3/8 - 1/2	2.9	4.8	5.9	1.0	2.25	1.3	2.4	2.4	2.4	1.7
SL251B-6	1800	5/8 - 3/4	4.3	7.0	8.7	1.4	3.5	1.8	5.3	5.3	5.3	3.8
SL251B-8	2800	7/8 - 1	5.8	8.5	10.6	1.5	4.75	2.0	10	10	10	8
SL251B-10	4000	1 - 1 1/4	6.8	11.0	13.7	1.7	6.0	2.2	17	17	17	11
SL251B-12	5000	1 1/4 - 1 1/2	8.6	13.0	16.1	2.0	8.0	2.8	31	31	31	21

- Blocks built to 4:1 Design Factor.
- Blocks made with Bronze Bushed sheaves to SAE40 specifications.
- All accessories are forged.
- Dimensions shown represent current models and are subject to change.
- Blocks shown here are standard models.
- Custom models available upon request.

See our warnings & application instructions



No Fitting (NF)



Shackle (S)



Swivel Hook (SH)



Eye Hook (H)

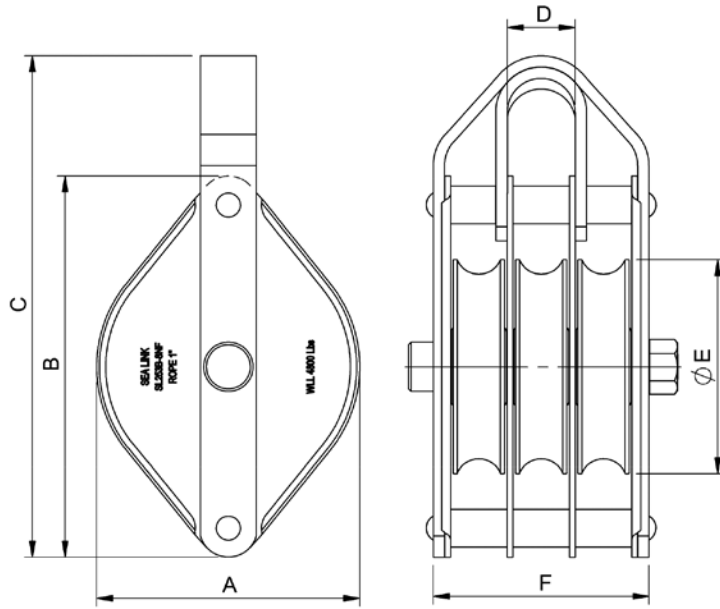
Model Nr.	WLL Lbs	Rope ØR	Dimensions						Weight (lbs)			
									S	SH	H	NF
			A	B	C	ØD	ØE	F	Shackle	Swivel Hook	Eye Hook	No Fitting
SL252B-3	800	3/8	2.2	3.7	4.9	0.7	1.75	1.9	2.2	2.2	2.2	1.8
SL252B-4	1400	3/8 - 1/2	2.9	4.8	6.1	1.1	2.25	2.1	3.5	3.5	3.5	2.8
SL252B-6	2500	5/8 - 3/4	4.3	7.0	9.1	1.2	3.5	3.0	7.5	7.5	7.5	6
SL252B-8	3800	7/8 - 1	5.8	8.5	10.5	1.2	4.75	3.4	14	14	14	12
SL252B-10	6000	1 - 1 1/4	6.8	11.0	13.3	1.4	6.0	3.9	24	24	24	19
SL252B-12	8000	1 1/4 - 1 1/2	8.6	13.0	16.2	1.5	8.0	4.8	48	48	48	39

- Blocks built to 4:1 Design Factor.
- Blocks made with Bronze Bushed sheaves to SAE40 specifications.
- All accessories are forged.
- Dimensions shown represent current models and are subject to change.
- Blocks shown here are standard models.
- Custom models available upon request.

See our warnings & application instructions



No Fitting (NF)



Shackle (S)



Swivel Hook (SH)



Eye Hook (H)

Model Nr.	WLL Lbs	Rope ØR	Dimensions						Weight (lbs)			
									S	SH	H	NF
			A	B	C	D	ØE	F	Shackle	Swivel Hook	Eye Hook	No Fitting
SL253B-3	1200	3/8	2.2	3.7	4.9	0.9	1.75	2.6	2.7	2.7	2.7	2.4
SL253B-4	1800	3/8 - 1/2	2.9	4.8	6.3	1.0	2.25	2.9	4.6	4.6	4.6	3.9
SL253B-6	3200	5/8 - 3/4	4.3	7.0	9.3	1.4	3.5	4.2	9.7	9.7	9.7	8.1
SL253B-8	4800	7/8 - 1	5.8	8.5	11.1	1.5	4.75	4.8	19	19	19	17
SL253B-10	8000	1 - 1 1/4	6.8	11.0	13.4	1.7	6.0	5.5	31	31	31	26
SL253B-12	10000	1 1/4 - 1 1/2	8.6	13.0	16.3	2.0	8.0	6.9	66	66	66	56

- Blocks built to 4:1 Design Factor.
- Blocks made with Bronze Bushed sheaves to SAE40 specifications.
- All accessories are forged.
- Dimensions shown represent current models and are subject to change.
- Blocks shown here are standard models.
- Custom models available upon request.

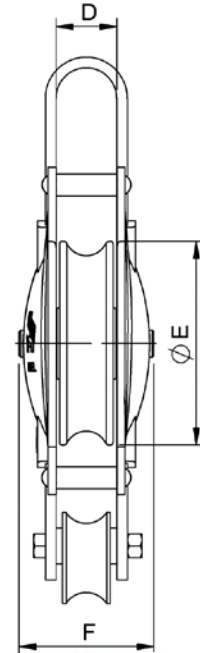
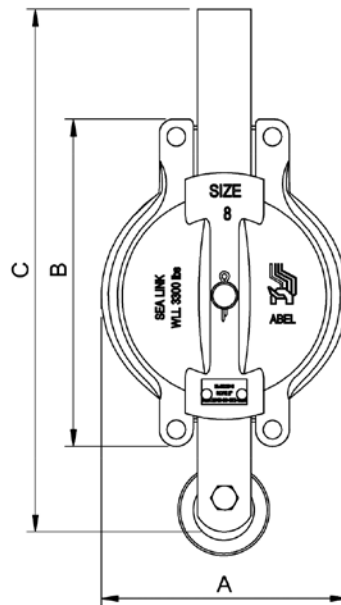
See our warnings & application instructions

320 Series Malleable Style Steel Shell Manila Rope Blocks





No Fitting (NF)



Shackle (S)



Swivel Hook (SH)



Eye Hook (H)



Special

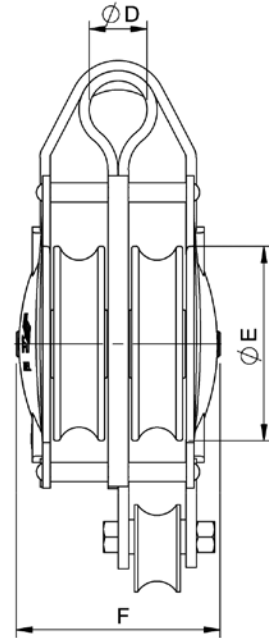
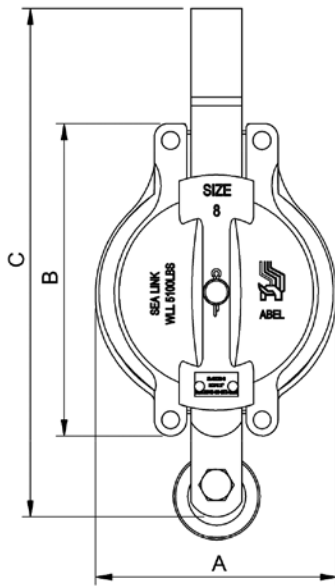
Model Nr.	WLL Lbs	Rope ØR	Dimensions						Weight (lbs)			
									S	SH	H	NF
			A	B	C	D	ØE	F	Shackle	Swivel Hook	Eye Hook	No Fitting
SL321B-3	700	3/8	2.4	3.3	5.7	0.7	1.75	1.7	1.7	1.7	1.3	
SL321B-4	1100	3/8 - 1/2	2.9	4.3	7.0	0.75	2.25	1.8	3	3	3	2.2
SL321B-6	2000	5/8 - 3/4	4.3	6.0	9.8	1.3	3.5	2.8	6	6	6	4.4
SL321B-8	3300	7/8 - 1	5.7	7.6	12.2	1.4	4.75	3.3	12	12	12	10
SL321B-10	5000	1 - 1 1/4	6.8	9.0	14.5	1.7	6.0	3.7	20	20	20	17
SL321B-12	8900	1 1/4 - 1 1/2	9.3	12.0	18.6	1.9	8.0	4.1	42	42	42	32

- Blocks built to 4:1 Design Factor.
- Blocks made with Bronze Bushed sheaves to SAE40 specifications.
- Available with self-lubricating graphite bronze sheave bushing per ASTM B438.
- All accessories are forged.
- Dimensions shown represent current models and are subject to change.
- Blocks shown are standard models.
- Custom models available upon request.

See our warnings & application instructions



No Fitting (NF)



Shackle (S)



Swivel Hook (SH)



Eye Hook (H)



Special

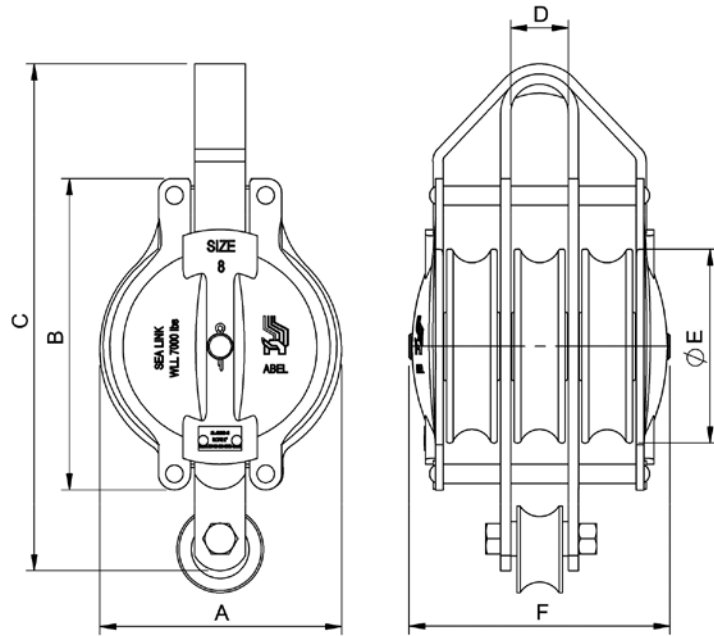
Model Nr.	WLL Lbs	Rope ØR	Dimensions						Weight (lbs)			
			A	B	C	ØD	ØE	F	S	SH	H	NF
									Shackle	Swivel Hook	Eye Hook	No Fitting
SL322B-3	1100	3/8	2.4	3.3	5.9	0.6	1.75	2.6	2.8	2.8	2.8	2.5
SL322B-4	1600	3/8 - 1/2	2.9	4.3	7.2	0.6	2.25	2.8	4.6	4.6	4.6	3.8
SL322B-6	3300	5/8 - 3/4	4.3	6.0	10.0	1.1	3.5	4.3	10	10	10	8
SL322B-8	5100	7/8 - 1	5.7	7.6	12.4	1.4	4.75	4.9	18	18	18	16
SL322B-10	7700	1 - 1 1/4	6.8	9.0	14.8	1.5	6.0	6.0	32	32	32	29
SL322B-12	15600	1 1/4 - 1 1/2	9.3	12.0	18.9	1.9	8.0	7.2	56	56	56	46

- Blocks built to 4:1 Design Factor.
- Blocks made with Bronze Bushed sheaves to SAE40 specifications.
- Available with self-lubricating graphite bronze sheave bushing per ASTM B438.
- All accessories are forged.
- Dimensions shown represent current models and are subject to change.
- Blocks shown are standard models.
- Custom models available upon request.

See our warnings & application instructions



No Fitting (NF)



Shackle (S)



Swivel Hook (SH)



Eye Hook (H)



Special

Model Nr.	WLL Lbs	Rope ØR	Dimensions						Weight (lbs)			
									S	SH	H	NF
			A	B	C	D	ØE	F	Shackle	Swivel Hook	Eye Hook	No Fitting
SL323B-3	1400	3/8	2.4	3.3	5.9	0.7	1.75	3.5	4.3	4.3	4.3	4.0
SL323B-4	2200	3/8 - 1/2	2.9	4.3	7.2	0.75	2.25	3.7	5.6	5.6	5.6	4.8
SL323B-6	4000	5/8 - 3/4	4.3	6.0	10.0	1.3	3.5	5.9	13	13	13	12
SL323B-8	7000	7/8 - 1	5.7	7.6	12.4	1.4	4.75	6.3	24	24	24	22
SL323B-10	10000	1 - 1 1/4	6.8	9.0	14.8	1.7	6.0	7.6	39	39	39	35
SL323B-12	17000	1 1/4 - 1 1/2	9.3	12.0	18.9	1.9	8.0	9.3	70	70	70	61

- Blocks built to 4:1 Design Factor.
- Blocks made with Bronze Bushed sheaves to SAE40 specifications.
- Available with self-lubricating graphite bronze sheave bushing per ASTM B438.
- All accessories are forged.
- Dimensions shown represent current models and are subject to change.
- Blocks shown are standard models.
- Custom models available upon request.

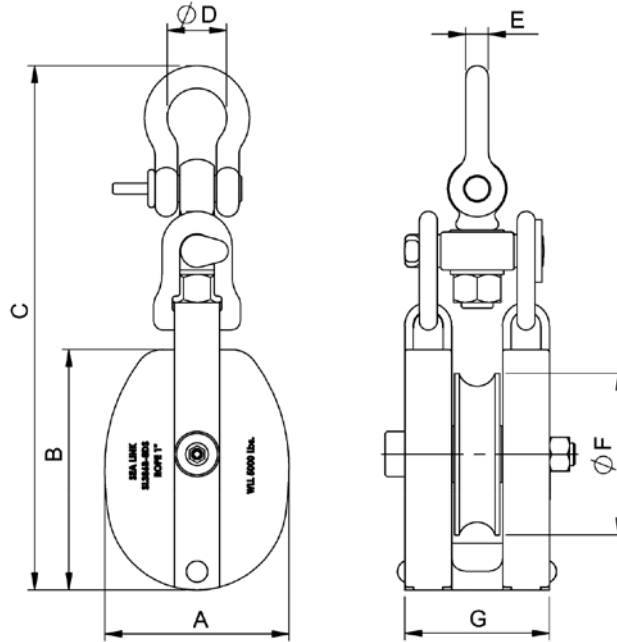
See our warnings & application instructions

386 Series Wood Shell Snatch Blocks





Swivel Eye w/Shackle (DS)



Oblong Swivel Eye (OS)



Swivel Hook (SH)

Model Nr.	WLL Lbs	Rope ØR	Dimensions							Weight (lbs)		
										DS	OS	SH
			Swivel Eye w/ Shackle	Oblong Swivel Eye	Swivel Hook							
SL386B-4	1200	5/8 - 3/4	3.0	3.9	8.9	1.0	0.37	2.5	2.8	3.4	3.4	3.4
SL386B-6	3000	3/4 - 7/8	3.6	4.6	10.9	1.3	0.5	3.0	3.1	7	7	7
SL386B-8	5000	7/8 - 1	5.1	6.7	14.6	1.7	0.62	4.5	4.0	12	12	12
SL386B-10	8000	1 - 1 1/4	6.6	8.4	17.7	2.0	0.74	5.8	4.9	22	22	22
SL386B-12	10000	1 1/4 - 1 1/2	8.0	9.9	20.7	2.3	0.87	6.8	5.6	35	35	35
SL386B-14	12000	1 1/2 - 1 3/4	8.9	11.3	23.1	2.7	1	8.0	6.5	50	50	50
SL386B-16	16000	1 3/4 - 2	9.9	12.6	26.3	2.9	1.12	9.0	6.7	73	73	73
SL386B-22	22000	3	13.0	17.4	32.1	3.2	1.25	11.8	9.3	139	139	139

- Blocks built to 4:1 Design Factor.
- Blocks made with Bronze Bushed sheaves to SAE40 specifications.
- Available with self-lubricating graphite bronze sheave bushing per ASTM B438.
- All accessories are forged.
- Blocks made with Santa Maria Hardwood, which has properties that are favorable for use in wood shell blocks.
- Dimensions shown represent current models and are subject to change.
- Blocks shown are standard models.
- Custom models available upon request.

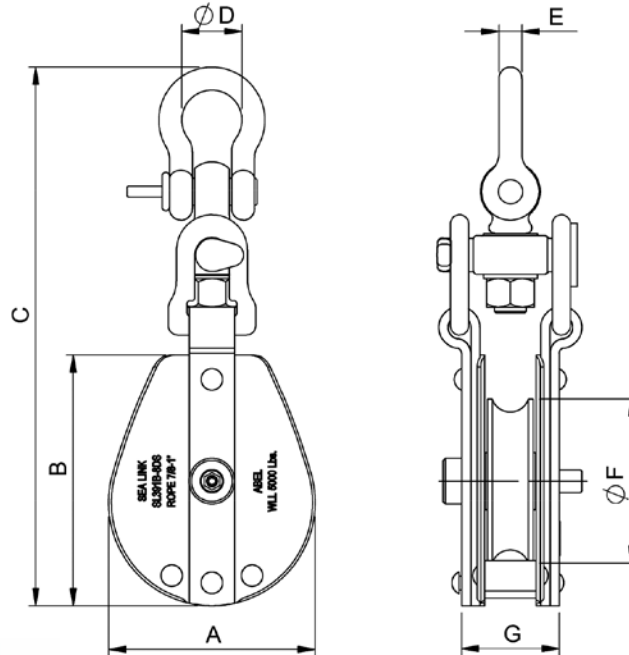
See our warnings & application instructions

391 Series Steel Shell Snatch Blocks





Swivel Eye W/Shackle (DS)



Oblong Swivel Eye (OS)



Swivel Hook (SH)

Model Nr.	WLL Lbs	Rope ØR	Dimensions							Weight (lbs)		
			A	B	C	ØD	E	ØF	G	DS	OS	SH
										Swivel Eye w/ Shackle	Oblong Swivel Eye	Swivel Hook
SL391B-4	1200	5/8 - 3/4	3.0	4.0	8.9	1.0	0.37	2.5	1.9	3.8	3.8	3.8
SL391B-6	3000	3/4 - 7/8	4.0	4.9	11.8	1.3	0.5	3.0	2.2	8	8	8
SL391B-8	5000	7/8 - 1	5.6	6.9	15.0	1.7	0.62	4.5	2.7	14	14	14
SL391B-10	8000	1 - 1 1/4	6.8	8.8	18.1	2.0	0.75	5.8	3.1	28	28	28
SL391B-12	10000	1 1/4 - 1 1/2	8.8	10.3	20.9	2.3	0.87	6.8	3.9	35	35	35
SL391B-14	12000	1 1/2 - 1 3/4	9.0	11.9	23.8	2.7	1	8.0	4.3	46	46	46
SL391B-16	16000	1 3/4 - 2	10.2	13.4	26.4	2.9	1.12	9.0	4.6	62	62	62

- Blocks built to 4:1 Design Factor.
- Blocks made with Bronze Bushed sheaves to SAE40 specifications.
- Available with self-lubricating graphite bronze sheave bushing per ASTM B438.
- All accessories are forged.
- Dimensions shown represent current models and are subject to change.
- Blocks shown are standard models.
- Custom models available upon request.

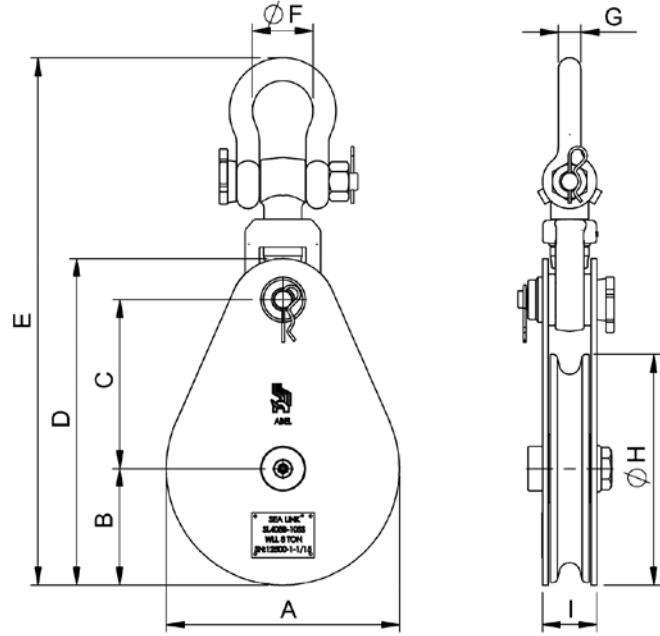
See our warnings & application instructions

Series 400 Steel Shell Wire Rope Snatch Blocks





Swivel Shackle (SS)



Tailboard (TB)



Swivel Hook (SH)



Top Dead End (TDE)

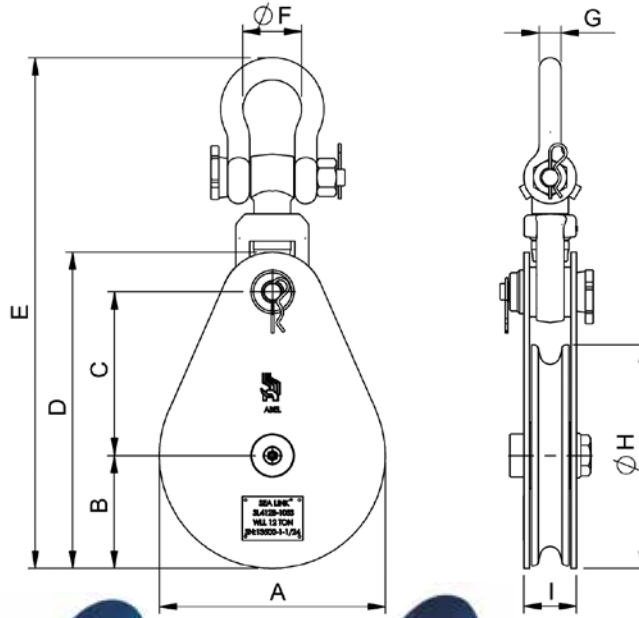
Model Nr.	WLL Tn	Wire Rope ØR	Dimensions									Weight (lbs)		
												SS	SH	TB
			A	B	C	D	E	ØF	G	ØH	I	Swivel Shackle	Swivel Hook	Tailboard
SL402B-3	2	5/16 - 3/8	3	1.5	2.7	5	9.5	1.3	0.5	3	1.4	5	5	
SL404B-4.5	4	3/8 - 1/2	4.6	2.3	4.2	7.6	13.5	1.9	0.7	4.5	1.9	13	13	
SL408B-6	8	5/8 - 3/4	6	3	5.1	9.9	18.8	2.7	1	6	2.3	30	33	18
SL408B-8	8	5/8 - 3/4	8	4	6.3	12	20.9	2.7	1	8	2.4	39	42	28
SL408B-10	8	5/8 - 3/4	10.2	5.1	7.4	14.4	23.3	2.7	1	10	2.4	46	49	34
SL408B-12	8	5/8 - 3/4	12.0	6	9.2	17	25.9	2.7	1	12	2.4	58	61	47

- Blocks built to 4:1 Design Factor.
- Available with these top fittings - Swivel Hook (SH), Swivel Shackle (SS), Tailboard (TB) and Top Dead End (TDE).
- Available with Bronze Bushing (B).
- All accessories are forged.
- Products are manufactured under the Standard ASME B30.26
- Dimensions shown represent current models and are subject to change.
- Blocks shown are standard models.
- Custom models available upon request.

See our warnings & application instructions



Swivel Shackle (SS)



Tailboard (TB)



Swivel Hook (SH)



Top Dead End (TDE)

Model Nr.	WLL Tn	Wire Rope ØR	Dimensions									Weight (lbs)		
			A	B	C	D	E	ØF	G	ØH	I	SS	SH	TB
												Swivel Shackle	Swivel Hook	Tailboard
SL412B-6	12	3/4 - 7/8	6	3	5.1	9.9	18.8	2.7	1	6	2.3	30	33	19
SL412B-8	12	3/4 - 7/8	8	4	6.3	12	20.9	2.7	1	8	2.4	39	42	28
SL412B-10	12	3/4 - 7/8	10.2	5.1	7.4	14.4	23.3	2.7	1	10	2.4	46	49	34
SL412B-12	12	3/4 - 7/8	12	6	9.2	17	25.9	2.7	1	12	2.4	58	61	47

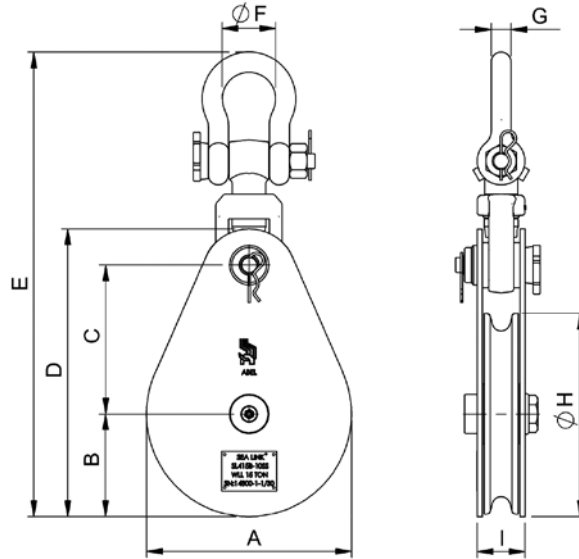
Model Nr.	WLL Tn	Wire Rope ØR	Dimensions									Weight (lbs)		
			A	B	C	D	E	ØF	G	ØH	I	SS	SH	TB
												Swivel Shackle	Swivel Hook	Tailboard
SL412R-8	12	3/4 - 7/8	8	4	6.3	12	20.9	2.7	1	8	2.4	39	42	28
SL412R-10	12	3/4 - 7/8	10.2	5.1	7.4	14.4	23.3	2.7	1	10	2.4	46	49	34
SL412R-12	12	3/4 - 7/8	12	6	9.2	17	25.9	2.7	1	12	2.4	58	61	47

- Blocks built to 4:1 Design Factor.
- Available with these top fittings - Swivel Hook (SH), Swivel Shackle (SS), Tailboard (TB) and Top Dead End (TDE).
- Available with Bronze Bushing (B) and Roller Bearing (R).
- All accessories are forged.
- Products are manufactured under the Standard ASME B30.26
- Dimensions shown represent current models and are subject to change.
- Blocks shown are standard models.
- Custom models available upon request.

See our warnings & application instructions



Swivel Shackle (SS)



Tailboard (TB)



Top Dead End (TDE)

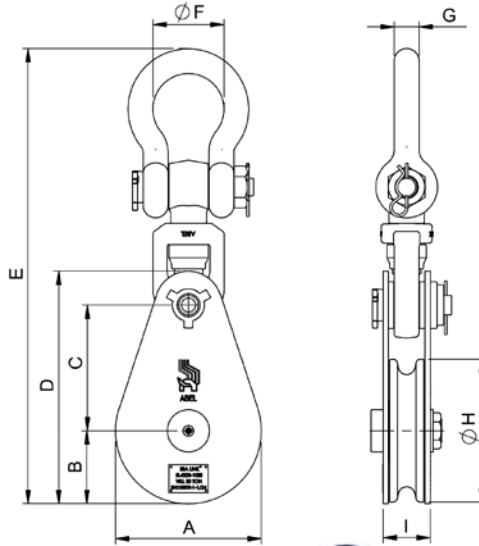
Model Nr.	WLL Tn	Wire Rope ØR	Dimensions									Weight (lbs)	
			A	B	C	D	E	ØF	G	ØH	I	SS	TB
												Swivel Shackle	Tailboard
SL415B-8	15	3/4 - 7/8	8	4	7	12.5	23.2	3	1.1	8	3	59	38
SL415B-10	15	3/4 - 7/8	10.2	5.1	7.9	14.9	25.6	3	1.1	10	3	69	47
SL415B-12	15	3/4 - 7/8	12	6	9.2	17.5	28.2	3	1.1	12	3	80	57

Model Nr.	WLL Tn	Wire Rope ØR	Dimensions									Weight (lbs)	
			A	B	C	D	E	ØF	G	ØH	I	SS	TB
												Swivel Shackle	Tailboard
SL415R-8	15	3/4 - 7/8	8	4	7	12.5	23.2	3	1.1	8	3	59	38
SL415R-10	15	3/4 - 7/8	10.2	5.1	7.9	14.9	25.6	3	1.1	10	3	69	47
SL415R-12	15	3/4 - 7/8	12	6	9.2	17.5	28.2	3	1.1	12	3	80	57

- Blocks built to 4:1 Design Factor.
- Available with these top fittings - Swivel Shackle (SS), Tailboard (TB) and Top Dead End (TDE).
- Available with Bronze Bushing (B) and Roller Bearing (R).
- All accessories are forged.
- Products are manufactured under the Standard ASME B30.26
- Dimensions shown represent current models and are subject to change.
- Blocks shown are standard models.
- Custom models available upon request.



Swivel Shackle (SS)



Tailboard (TB)



Top Dead End (TDE)

Model Nr.	WLL Tn	Wire Rope ØR	Dimensions									Weight (lbs)	
			A	B	C	D	E	ØF	G	ØH	I	SS	TB
												Swivel Shackle	Tailboard
SL420B-8	20	1-1 1/8	8.0	4.0	8.0	14.4	28.1	3.6	1.4	8	3.3	90	51
SL420B-10	20	1-1 1/8	10.2	5.1	8.8	16.4	30.1	3.6	1.4	10	3.3	103	64
SL420B-12	20	1-1 1/8	12.0	6.0	10.0	18.4	32.2	3.6	1.4	12	3.3	118	79

Model Nr.	WLL Tn	Wire Rope ØR	Dimensions									Weight (lbs)	
			A	B	C	D	E	ØF	G	ØH	I	SS	TB
												Swivel Shackle	Tailboard
SL420R-8	20	1-1 1/8	8.0	4.0	8.0	14.4	28.1	3.6	1.4	8	3.3	90	51
SL420R-10	20	1-1 1/8	10.2	5.1	8.8	16.4	30.1	3.6	1.4	10	3.3	103	64
SL420R-12	20	1-1 1/8	12.0	6.0	10.0	18.4	32.2	3.6	1.4	12	3.3	118	79

- Blocks built to 4:1 Design Factor.
- Available with these top fittings - Swivel Shackle (SS), Tailboard (TB) and Top Dead End (TDE).
- Available with Bronze Bushing (B) and Roller Bearing (R).
- All accessories are forged.
- Products are manufactured under the Standard ASME B30.26
- Dimensions shown represent current models and are subject to change.
- Blocks shown are standard models.
- Custom models available upon request.

See our warnings & application instructions

SEALINK[®]

Quality Rigging Products

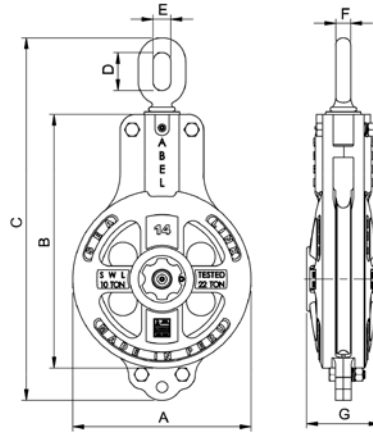


561 Series Cargo Hoisting Blocks





Swivel Eye (SE)

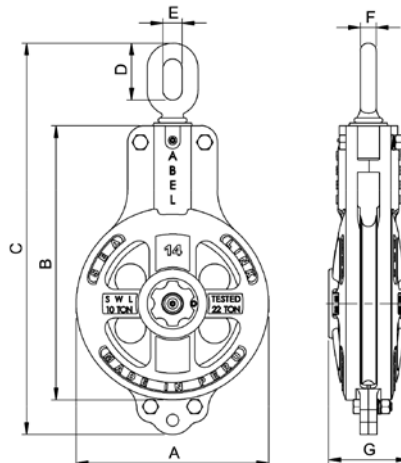


DSS-Swivel Eye with Safety Anchor Shackle

Model Nr.	WLL Lbs	Wire Rope	Sheave	Dimensions						Weight (Lbs)
		ØR	ØS	A	B	C	ØD	E	F	
SL561R-12DS	11000	5/8 - 3/4	12	13.1	17.6	24.8	1.5	1.7	5.5	100
SL561R-14DS	22000	3/4 - 7/8	14	15.2	21.6	29.3	1.6	2.0	6.3	138
SL561R-16DS	22000	7/8 - 1	16	17.1	23.4	31.5	1.7	2.1	6.3	150



Oblong Swivel Eye (OS)



OSS-Oblong Swivel Eye w/Upset Safety Anchor Shackle

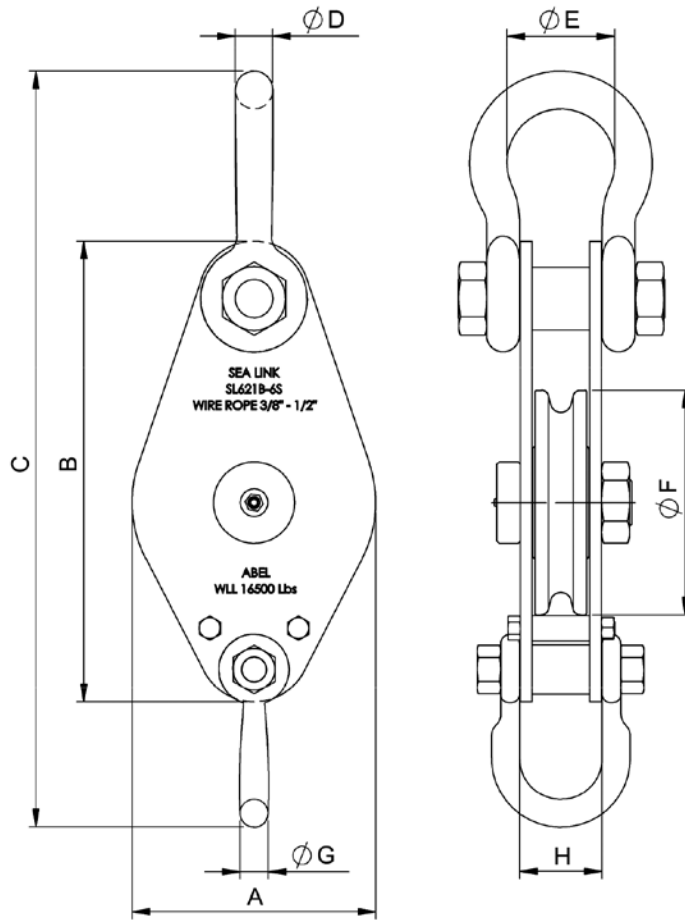
Model Nr.	WLL Lbs	Wire Rope	Sheave	Dimensions							Weight (Lbs)
		ØR	ØS	A	B	C	D	E	F	G	
SL561R-12OS	11000	5/8 - 3/4	12	13.1	17.6	26.4	3.2	1.5	1.1	5.5	100
SL561R-14OS	22000	3/4 - 7/8	14	15.2	21.6	30.8	3.2	1.5	1.3	6.3	138
SL561R-16OS	22000	7/8 - 1	16	17.1	23.4	33.8	3.8	1.8	1.4	6.3	150

- Blocks built to 4:1 Design Factor.
- Includes Timken Tapered Roller Bearings.
- Top Fittings Available - Swivel Eye (DS), Oblong Swivel Eye (OS), plus optional as listed.
- All accessories are forged.
- Dimensions shown represent current models and are subject to change.
- Blocks shown are standard models.
- Custom models available upon request.

See our warnings & application instructions

620 Series Medium Weight Oval Pattern Construction Blocks



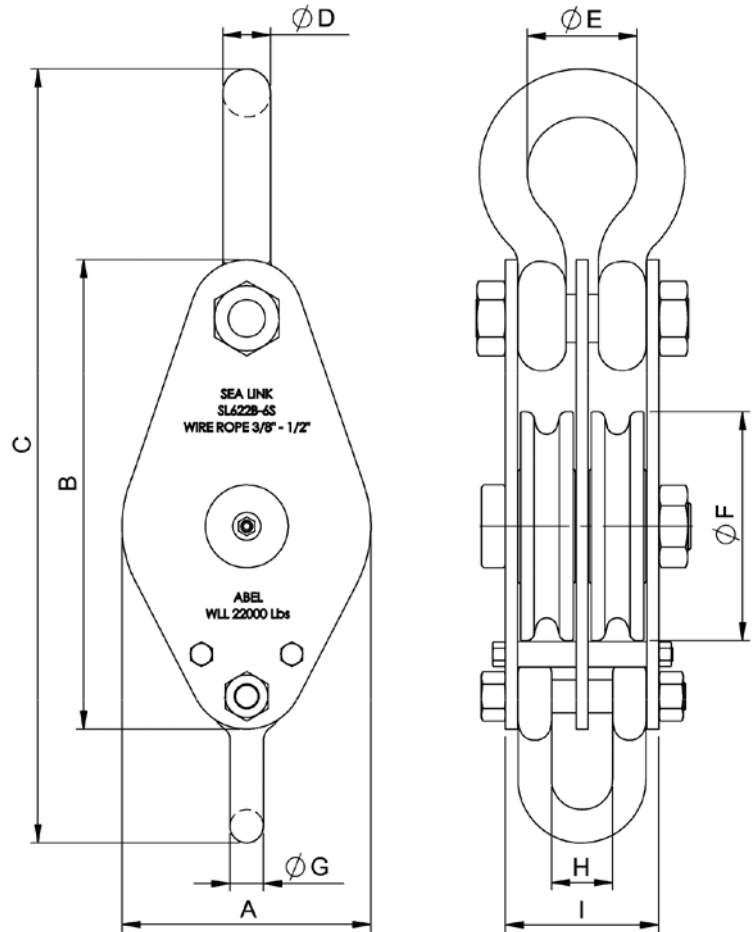


Model Nr.	WLL Lbs	Wire Rope ØR	Dimensions								Weight (Lbs)
			A	B	C	ØD	ØE	ØF	ØG	H	
SL621B-6S	16500	3/8 - 1/2	6.5	12.3	20.5	1.0	2.87	6	0.75	2.2	28
SL621B-8S	16500	1/2 - 5/8	8.5	14.6	22.8	1.0	2.87	8	0.75	2.2	39
SL621B-10S	22000	5/8 - 3/4	10.2	18.1	26.4	1.1	2.87	10	0.75	2.2	55

SL700B Available diamond pattern, upon request.

- Blocks built to 4:1 Design Factor.
- Blocks made with Bronze Bushed sheaves to SAE64 specifications.
- All accessories are forged.
- Dimensions shown represent current models and are subject to change.
- Blocks shown are standard models.
- Custom models available upon request.

See our warnings & application instructions

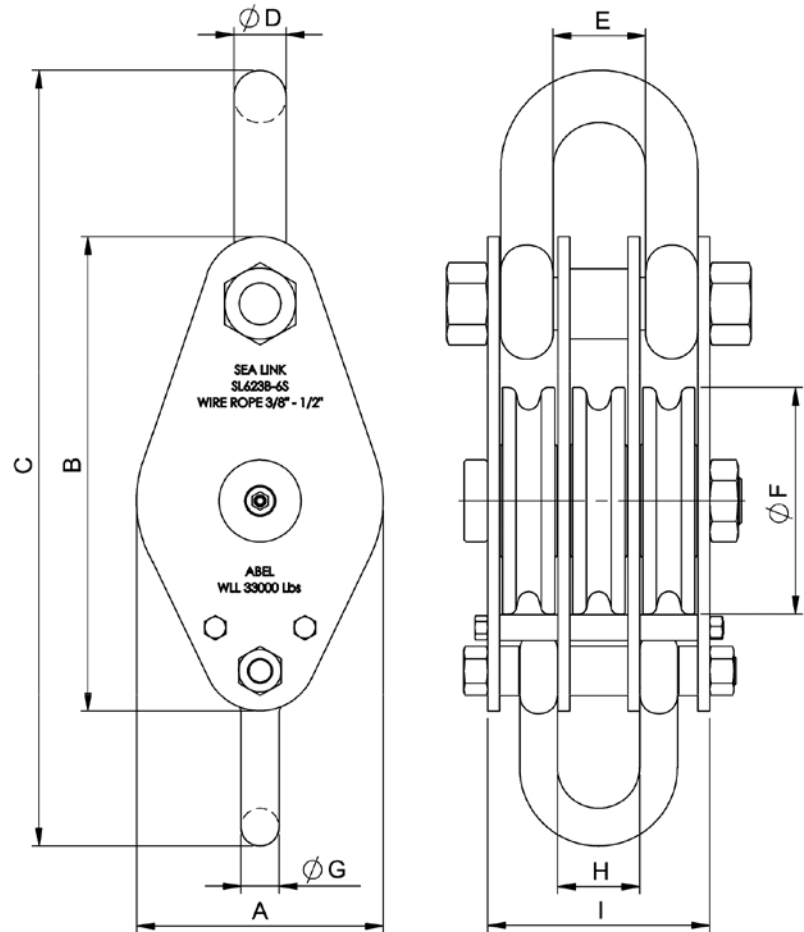


Model Nr.	WLL Lbs	Wire Rope ØR	Dimensions									Weight (Lbs)
			A	B	C	ØD	ØE	ØF	ØG	H	I	
SL622B-6S	22000	3/8 - 1/2	6.5	12.3	20.5	1.25	2.87	6	0.87	1.6	4.0	44
SL622B-8S	22000	1/2 - 5/8	8.5	14.6	22.8	1.25	2.87	8	0.87	1.6	4.0	57
SL622B-10S	33000	5/8 - 3/4	10.2	18.1	26.4	1.38	2.87	10	0.87	1.6	4.0	88

SL700B Available diamond pattern, upon request.

- Blocks built to 4:1 Design Factor.
- Blocks made with Bronze Bushed sheaves to SAE64 specifications.
- All accessories are forged.
- Dimensions shown represent current models and are subject to change.
- Blocks shown are standard models.
- Custom models available upon request.

See our warnings & application instructions



Model Nr.	WLL Lbs	Wire Rope ØR	Dimensions									Weight (Lbs)
			A	B	C	ØD	E	ØF	ØG	H	I	
SL623B-6S	33000	3/8 - 1/2	6.5	12.3	20.5	1.38	2.4	6	1.0	2.2	5.9	59
SL623B-8S	33000	1/2 - 5/8	8.5	14.6	22.8	1.38	2.4	8	1.0	2.2	5.9	78
SL623B-10S	44000	5/8 - 3/4	10.2	18.1	26.4	1.5	2.2	10	1.0	2.2	5.9	120

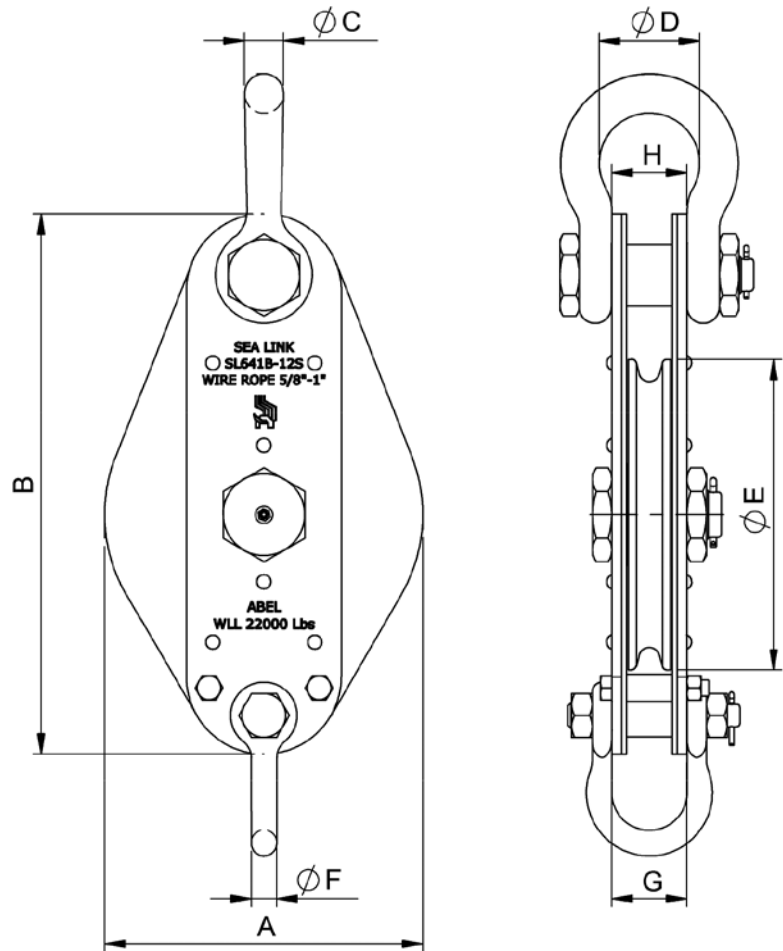
SL700B Available diamond pattern, upon request.

- Blocks built to 4:1 Design Factor.
- Blocks made with Bronze Bushed sheaves to SAE64 specifications.
- All accessories are forged.
- Dimensions shown represent current models and are subject to change.
- Blocks shown are standard models.
- Custom models available upon request.

See our warnings & application instructions

640 Series Extra Heavy Oval Pattern Construction Blocks

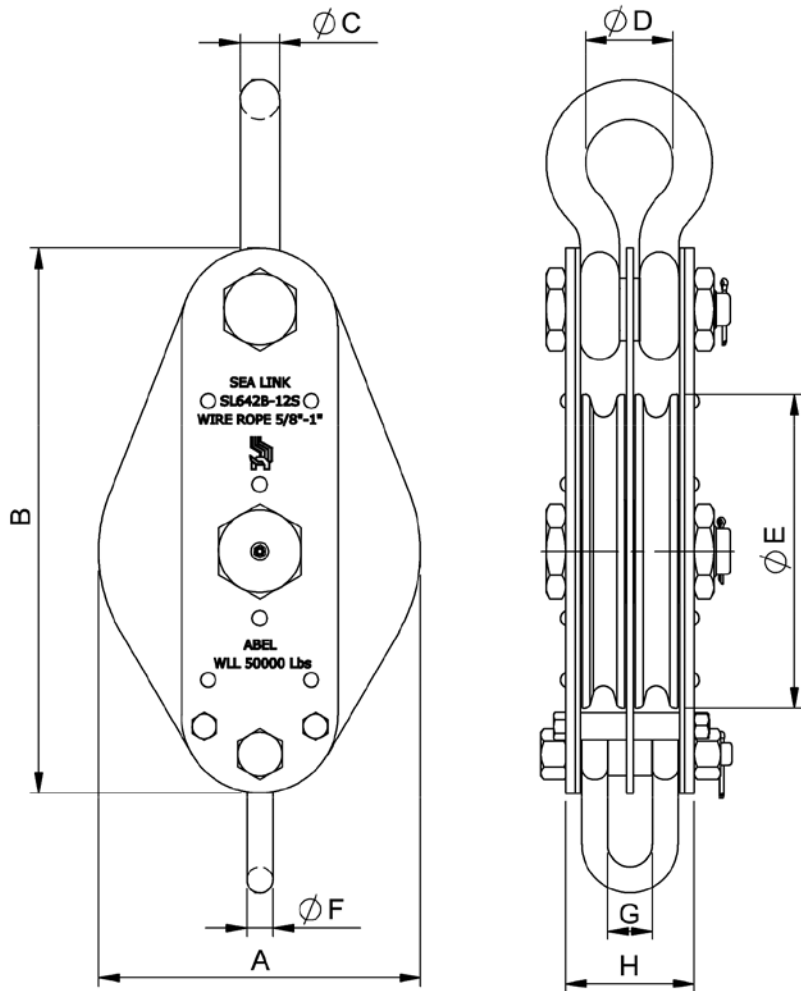




Model Nr.	WLL Lbs	Wire Rope ØR	Dimensions								Weight (Lbs)
			A	B	ØC	ØD	ØE	ØF	G	H	
SL641B-8S	16500	5/8 - 3/4	8.3	14.8	1.1	2.9	8	0.75	2.5	2.5	46
SL641B-10S	22000	5/8 - 7/8	10.3	18.1	1.3	3.1	10	0.87	2.6	2.6	63
SL641B-12S	22000	5/8 - 1	12.3	20.9	1.5	3.9	12	1.0	2.9	2.9	95
SL641B-14S	22000	3/4 - 7/8	14.5	24.0	1.5	3.9	14	1.12	3.5	3.5	139
SL641B-14S	30000	3/4 - 1	14.5	24.0	1.5	3.9	14	1.12	3.5	3.5	139
SL641B-16S	33000	3/4 - 1	16.5	28.0	1.8	3.9	16	1.25	3.7	3.7	188

- Blocks built to 4:1 Design Factor.
- Blocks made with Bronze Bushed sheaves to SAE64 specifications.
- All accessories are forged.
- Dimensions shown represent current models and are subject to change.
- Blocks shown are standard models.
- Custom models available upon request.

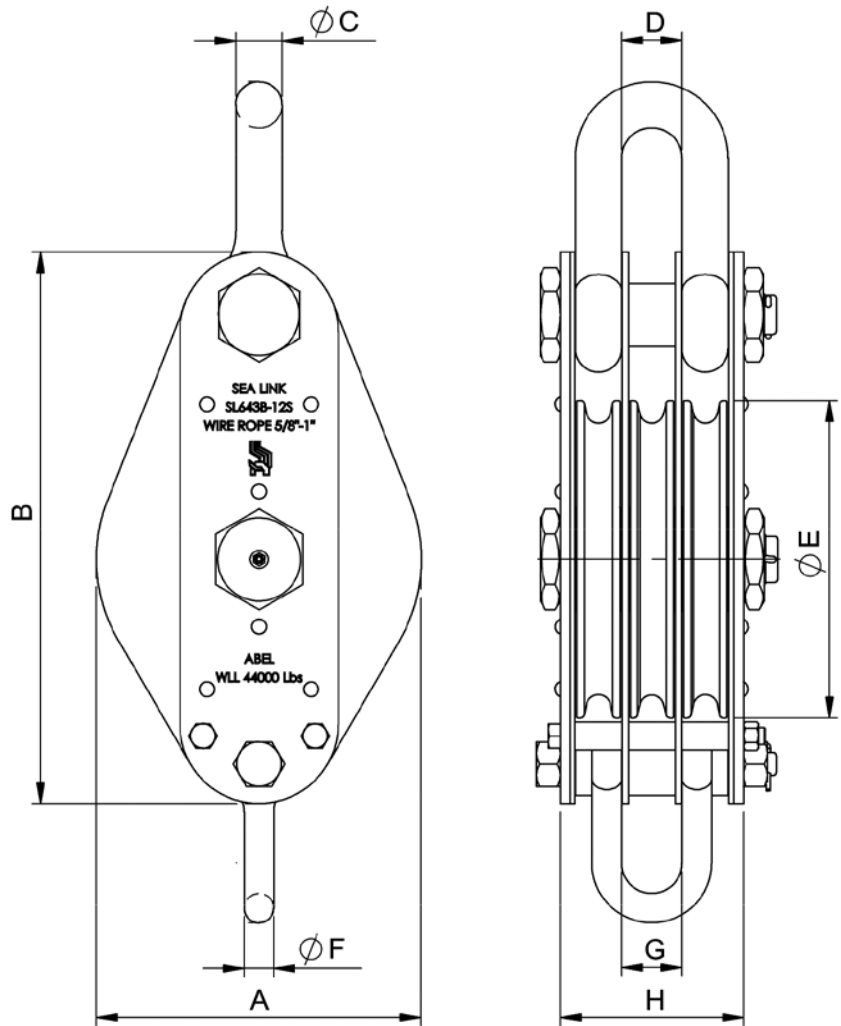
See our warnings & application instructions



Model Nr.	WLL Lbs	Wire Rope ØR	Dimensions								Weight (Lbs)
			A	B	ØC	ØD	ØE	ØF	G	H	
SL642B-8S	27500	5/8 - 3/4	8.3	14.8	1.25	2.9	8	0.87	1.7	4.4	64
SL642B-10S	44000	5/8 - 7/8	10.3	18.1	1.75	3.9	10	1.0	1.7	5.2	114
SL642B-12S	50000	5/8 - 1	12.3	20.9	1.75	3.9	12	1.12	1.6	5.2	135
SL642B-14S	50000	3/4 - 1	14.5	24.0	1.75	3.9	14	1.12	2.3	5.7	198
SL642B-16S	55000	3/4 - 1	16.5	28.0	1.75	3.9	16	1.12	3.0	6.4	205

- Blocks built to 4:1 Design Factor.
- Blocks made with Bronze Bushed sheaves to SAE64 specifications.
- All accessories are forged.
- Dimensions shown represent current models and are subject to change.
- Blocks shown are standard models.
- Custom models available upon request.

See our warnings & application instructions



Model Nr.	WLL Lbs	Wire Rope ØR	Dimensions								Weight (Lbs)
			A	B	ØC	D	ØE	ØF	G	H	
SL643B-8S	27500	5/8 - 3/4	8.3	14.8	1.25	2.8	8	0.87	2.0	6.5	81
SL643B-10S	44000	5/8 - 7/8	10.3	18.1	1.75	2.2	10	1.12	2.3	6.9	145
SL643B-12S	44000	5/8 - 1	12.3	20.9	1.75	2.3	12	1.12	2.3	6.9	180
SL643B-14S	66000	3/4 - 1	14.5	24.0	2.0	3.1	14	1.25	2.8	8.5	275
SL643B-14S	70000	3/4 - 1	14.5	24.0	2.0	3.1	14	1.25	2.8	8.5	275
SL643B-16S	70000	3/4 - 1	16.5	28.0	2.0	3.9	16	1.25	3.0	9.1	345

- Blocks built to 4:1 Design Factor.
- Blocks made with Bronze Bushed sheaves to SAE64 specifications.
- All accessories are forged.
- Dimensions shown represent current models and are subject to change.
- Blocks shown are standard models.
- Custom models available upon request.

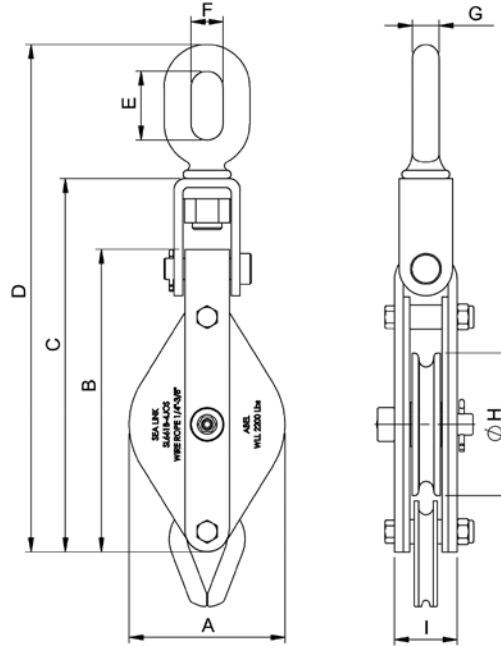
See our warnings & application instructions

660 Series Steel Shell Wire Rope Blocks





Oblong Eye (JOS)



Swivel Eye & Shackle (JDS)



Jaw Swivel Hook (JSH)

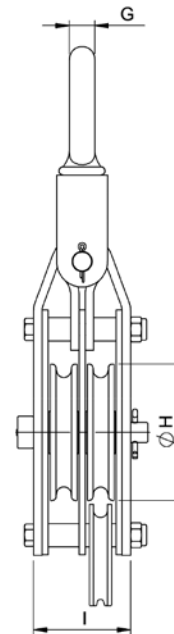
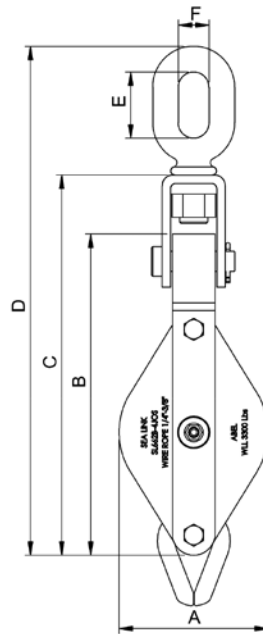
Model Nr.	WLL Lbs	Wire Rope ØR	Dimensions									Weight (lbs)		
			A	B	C	D	E	F	G	ØH	I	JOS	JDS	JSH
												Oblong Eye	S. Eye & Shackle	Swivel Hook
SL661B-4	3300	1/4 - 3/8	4.3	8.5	10.6	15.0	2.4	1.1	0.75	4	1.8	9	9	9
SL661B-6	4400	1/4 - 1/2	6.3	12.6	14.6	20.5	2.6	1.3	0.87	6	2.2	17	17	17
SL661B-8	5500	3/8 - 5/8	8.3	15.7	18.5	23.6	3.0	1.4	1.0	8	2.6	25	25	25
SL661B-10	6600	1/2 - 3/4	10.2	19.3	22.4	28.5	3.2	1.5	1.12	10	3.0	53	53	53
SL661B-12	8800	5/8 - 3/4	12.4	23.2	26.4	32.5	3.2	1.5	1.26	12	3.0	66	66	66

- Blocks built to 4:1 Design Factor.
- Blocks made with Bronze Bushed sheaves to SAE64 specifications.
- All accessories are forged.
- Dimensions shown represent current models and are subject to change.
- Blocks shown are standard models.
- Custom models available upon request.

See our warnings & application instructions



Oblong Eye (JOS)



Swivel Eye & Shackle (JDS)



Jaw Swivel Hook (JSH)

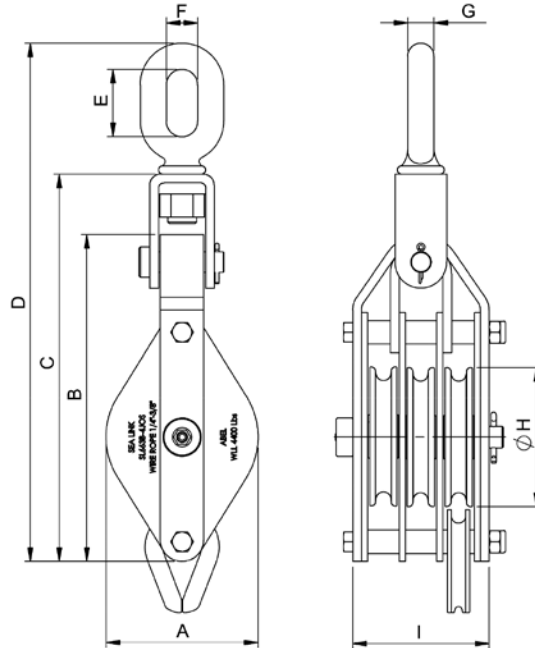
Model Nr.	WLL Lbs	Wire Rope ØR	Dimensions									Weight (lbs)		
			A	B	C	D	E	F	G	ØH	I	JOS	JDS	JSH
												Oblong Eye	S. Eye & Shackle	Swivel Hook
SL662B-4	4400	1/4 - 3/8	4.3	9.4	10.6	15.0	2.4	1.1	0.75	4	2.8	12	12	12
SL662B-6	5500	1/4 - 1/2	6.3	12.6	14.6	20.5	2.6	1.3	0.87	6	3.6	25	25	25
SL662B-8	6600	3/8 - 5/8	8.3	15.7	18.5	23.6	3.0	1.4	1.0	8	4.3	44	44	44
SL662B-10	8800	1/2 - 3/4	10.2	19.7	22.4	28.5	3.2	1.5	1.12	10	5.0	80	80	80
SL662B-12	13200	5/8 - 3/4	12.4	23.6	26.4	32.5	3.2	1.5	1.26	12	5.0	101	101	101

- Blocks built to 4:1 Design Factor.
- Blocks made with Bronze Bushed sheaves to SAE64 specifications.
- All accessories are forged.
- Dimensions shown represent current models and are subject to change.
- Blocks shown are standard models.
- Custom models available upon request.

See our warnings & application instructions



Oblong Eye (JOS)



Swivel Eye & Shackle (JDS)



Jaw Swivel Hook (JSH)

Model Nr.	WLL Lbs	Wire Rope ØR	Dimensions									Weight (lbs)		
			A	B	C	D	E	F	G	ØH	I	JOS	JDS	JSH
												Oblong Eye	S. Eye & Shackle	Swivel Hook
SL663B-4	4400	1/4 - 3/8	4.3	9.4	10.6	15.0	2.4	1.1	0.75	4	3.9	15	15	15
SL663B-6	6600	1/4 - 1/2	6.3	12.6	14.6	20.5	2.6	1.3	0.87	6	5.1	33	33	33
SL663B-8	8800	3/8 - 5/8	8.3	15.7	18.5	23.6	3.0	1.4	1.0	8	6.1	57	57	57
SL663B-10	13200	1/2 - 3/4	10.2	19.7	22.4	28.5	3.2	1.5	1.12	10	7.0	106	106	106
SL663B-12	15400	5/8 - 3/4	12.4	23.6	26.4	32.5	3.2	1.5	1.26	12	7.0	134	134	134

- Blocks built to 4:1 Design Factor.
- Blocks made with Bronze Bushed sheaves to SAE64 specifications.
- All accessories are forged.
- Dimensions shown represent current models and are subject to change.
- Blocks shown are standard models.
- Custom models available upon request.

See our warnings & application instructions



Snap Hook with
Safety Latch

H



Swivel Hook
with Safety Latch

Connection – **SH**



Open Bail Hook
with Safety Latch

Connection – **JSH**



Drilled Swivel Eye
Connection - **JSE**



Drilled Swivel Eye
and Shackle

Connection – **JDS**



Oblong Swivel Eye
Connection – **JOS**



Oblong Swivel Eye
and Shackle

Connection – **JOSS**



Jaw and Eye Swivel
Connection - **JE**



Chain Shackle

Connection – **SPC**



Upset Shackle in Shackle

Connection – **SPA-USPA**



Upset Screw Pin
Anchor Shackle

Connection – **USPA**



Drilled Swivel Eye

Connection – **SE**



Drilled Swivel Eye
with Shackle

Connection – **DS**



Oblong Swivel Eye

Connection – **OS**



Oblong Swivel Eye
with Shackle

Connection – **OSS**

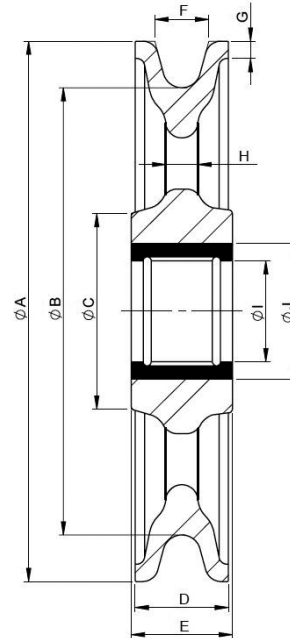
SEALINK®

Quality Rigging Products



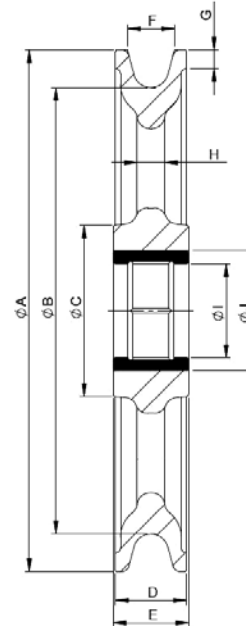
Sheaves





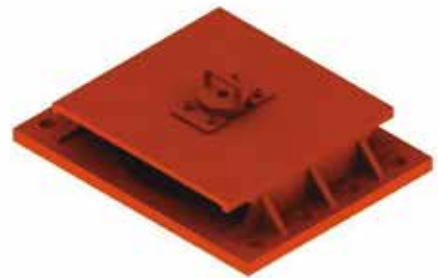
Medium Weight Oval Pattern Construction blocks

Sheave	Wire Rope	ØA	ØB	ØC	D	E	F	G	H	ØI	ØJ
Sheave of SL620B-6S	3/8 - 1/2	6	4.9	3	1.26	1.5	0.75	0.26	0.47	1.5	2
Sheave of SL620B-8S	1/2 - 5/8	8	6.8	3	1.26	1.5	0.79	0.26	0.47	1.5	2
Sheave of SL620B-10S	5/8 - 3/4	10	8.5	3	1.26	1.5	1.02	0.26	0.47	1.5	2



Extra Heavy Oval Pattern Construction blocks

Sheave	Wire Rope	ØA	ØB	ØC	D	E	F	G	H	ØI	ØJ
Sheave of SL640B-8S	5/8 - 3/4	8	5	3.07	1.5	1.62	0.95	0.26	0.52	1.5	2
Sheave of SL640B-10S	5/8 - 7/8	10	8.28	3.74	1.63	1.73	0.95	0.43	0.63	1.93	2.5
Sheave of SL640B-12S	5/8 - 1	12	10.28	3.94	1.63	1.73	1.08	0.43	0.63	2.17	2.76
Sheave of SL640B-14S	3/4 - 1	14	12.21	5	2	2.13	1.25	0.27	0.63	2.72	3.27
Sheave of SL640B-16S	3/4 - 1	16	13.8	6.02	2.3	2.5	1.25	0.35	0.77	2.95	3.5



Aluminum Snatch Block

Size	Working Load Limit (lbs.)	Sheave Diameter (in.)	Wire Rope (in.)	Weight (lbs.)
4	1000	4	1/4	5.5



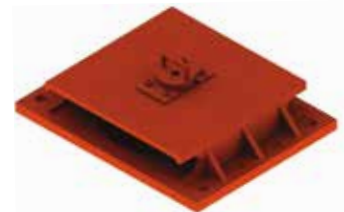
PJ Style Snatch Block

Size	Working Load Limit (lbs.)	Sheave Diameter (in.)	Wire Rope (in.)	Weight (lbs.)
10	6600	6	1/2 - 5/8	23
12	11000	7 5/7	5/8 - 3/4	40



Horizontal Sheave Lead Block

Size	Working Load Limit (lbs.)	Sheave Diameter (in.)	Wire Rope (in.)	Weight (lbs.)
8	22000	8	1	79
14	44000	14	1 1/4	209



Vertical Sheave Lead Block

Size	Sheave Diameter (in.)	Wire Rope (in.)	Weight (lbs.)
14	14	7/8	174
20	20	1	330
24	24	1 1/4	524
26	26	1 1/2	587



- Blocks built to 4:1 Design Factor.
- Larger sizes available upon request.
- The dimensions in this table are indicative only.
- Blocks shown here are standard models.
- Custom models available.

See our warnings & application instructions

Diamond Steel Shell Wire Rope Block

Size	Working Load Limit (lbs.)			Sheave Diameter (in.)	Wire Rope (in.)
	Single	Double	Triple		
6	4400	5500	6600	6	3/8
8	5500	7700	9900	8	1/2 - 5/8
10	6600	9900	13200	10	1/2 - 5/8
12	11000	22000	26600	12	3/4



Extra Heavy Diamond Steel Shell Wire Rope Block

Size	Working Load Limit (lbs.)			Sheave Diameter (in.)	Wire Rope (in.)
	Single	Double	Triple		
8	16500	22000	22000	8	1/2 - 5/8
10	22000	33000	44000	10	5/8 - 3/4
12	22000	33000	44000	12	5/8 - 3/4
14	22000	44000	88000	14	3/4 - 7/8



Reel Type Snatch Block

Size	Working Load Limit (lbs.)	Sheave Diameter (in.)	Wire Rope (in.)	Weight (lbs.)
18	66000	14	3/4	301
20	88000	16	1	343



Trawl Block

Size	Working Load Limit (lbs.)	Sheave Diameter (in.)	Weight (lbs.)
12	22000	12	90
16	44000	15 7/8	172



Purse Seine Block

Size	Working Load Limit (lbs.)	Sheave Diameter (in.)	Wire Rope (in.)	Weight (lbs.)
10	11000	6	1/2	50
12	17600	7 1/2	5/8	77
14	22000	8	3/4	95
16	33000	12	7/8	200
18	44000	14	1	264
20	55000	18	1 1/8	305



Extra Heavy Oval Pattern Steel Shell Wire Rope Block

Size	Working Load Limit (lbs.)			Sheave Diameter (in.)	Wire Rope (in.)
	Single	Double	Triple		
12	22000	44000	44000	12	3/4 - 7/8
14	33000	44000	55000	14	7/8 - 1
16	44000	44000	44000	16	1 - 1 1/8



**Steel Shell Snatch Block
Type "PJ" Wire & Manila Rope**

Size	Working Load Limit (lbs.)	Sheave Diameter (in.)	Wire Rope (in.)
8	8800	4.5	1/4
10	11000	6	3/8
12	15400	8	1/2
14	22000	10	5/8



Standard Oval Pattern Wire Rope Block

Size	Working Load Limit (lbs.)			Sheave Diameter (in.)	Wire Rope (in.)
	Single	Double	Triple		
8	5500	7700	9900	8	5/8
10	6600	9900	13200	10	3/4
12	11000	22000	26600	12	7/8







Stainless Steel



Reinforced Ring

1 1/4" x 10"
1 1/2" x 10"



Bosh Ring

A-320
A-315



Ring type Stirrup

5/8" to 1 1/4"



Pear Ring Type

with reel and cartridge
1 1/4" and 1 3/8"



Pear Ring type

with reel and cartridge
1 1/4" and 1 3/8"



Circular Ring

5/8" to 1 1/4"

Forged



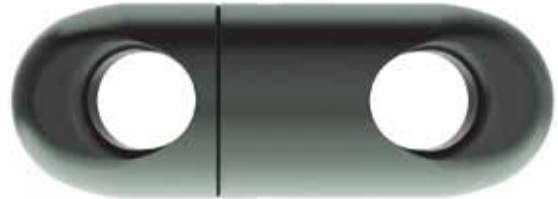
- Heat treatment.
- Surface flat contact.
- Extends the cable life.
- Wear by abrasion 50% Less Than cast ring.

Swivel with ball bearing

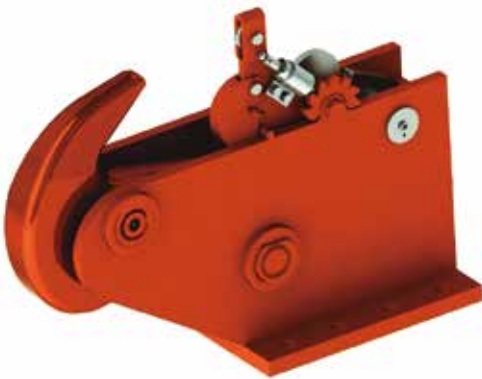


Size	Working Load Limit (lbs.)	Diameter Wire	Weight (lbs.)
5/8	4400	5/8	1.3
3/4	6600	3/4	2
7/8	11000	7/8	2.8
1	16500	1	4.3

- High tensile strength and wear by corrosion.
- High speed of rotation.
- Angular contact bearings or bronze bushing SAE62.



Molas



Mola Tuna

#5 - 39600 Lbs.

- Blocks built to 4:1 Design Factor.
- Larger sizes available upon request.
- The dimensions in this table are indicative only.
- Blocks shown here are standard models.
- Custom models available.

See our warnings & application instructions



Mola standard steel

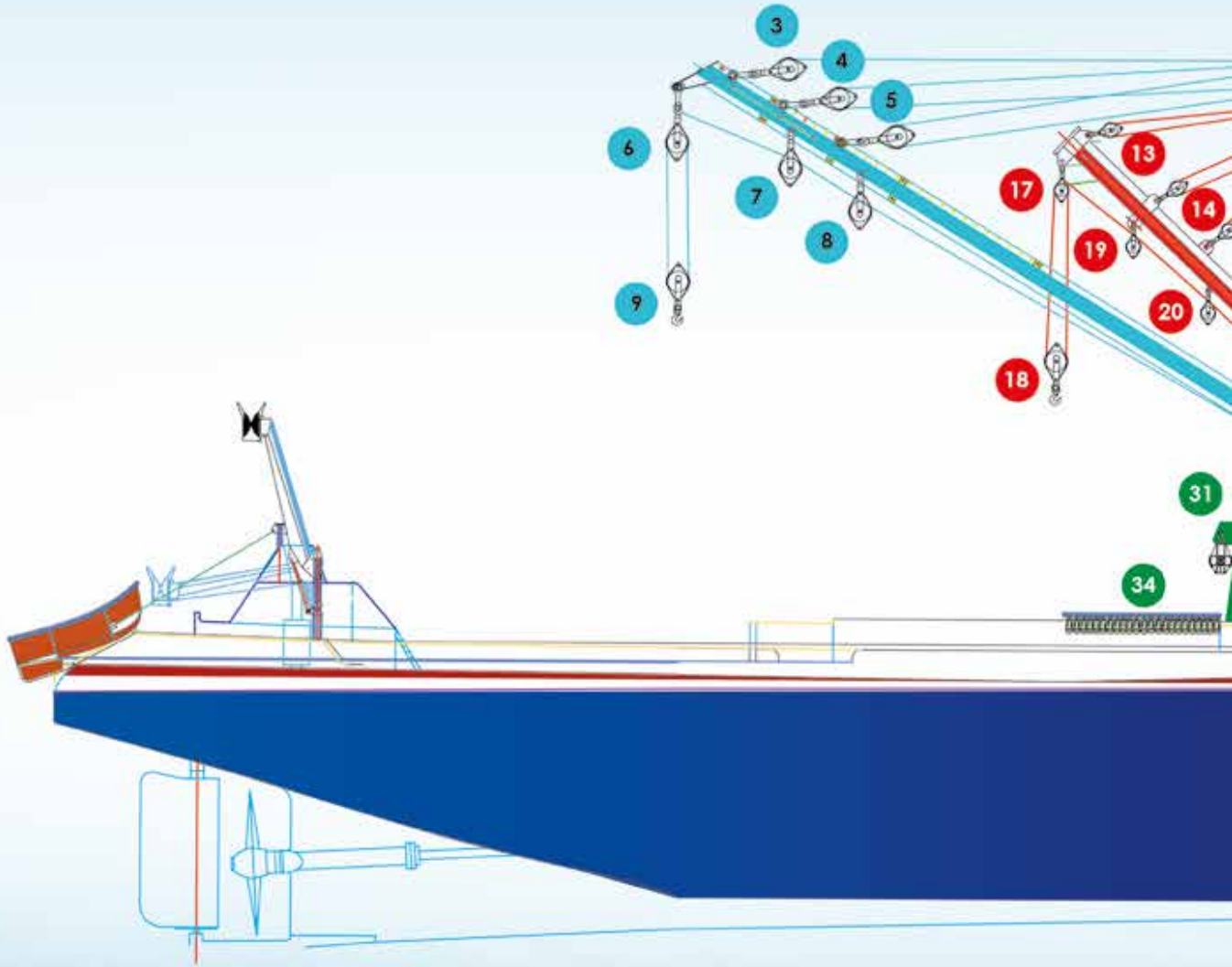
#1 - 11000 Lbs.

#2 - 17600 Lbs.

#3 - 26400 Lbs.

#4 - 33000 Lbs.

DISTRIBUTION OF PULLEY BLOCK IN FISHING VESSELS



A							
UB	ITEM	PRODUCT	Shackle	Pulley	Ø Wire Rope	Series	Pg
AMANTILLO	1	Shackle Lira type	1 3/4"		7/8"		
	2	Extra heavy oval pattern C. block triple T-14" with shackle	Connector	14"		SL643B	50
	3	Extra heavy oval pattern C. block single T-14" with shackle		14"		SL641B	48
	4	Extra heavy oval pattern C. block single T-14" with shackle		14"		SL641B	48
	5	Extra heavy oval pattern C. block single T-14" with shackle		14"		SL641B	48
MANEUVER	6	Extra heavy oval pattern C. block double T-12" with shackle		12"	SL642B	49	
	7	Extra heavy oval pattern C. block double T-12" with shackle		12"	SL642B	49	
	8	Extra heavy oval pattern C. block single T-12" with swivel hook		12"	SL641B	48	
	9	Standard oval pattern wire rope block double T-12" with swivel hook		12"	SL502B	62	
	10	Shackle lira type 2"					
	11	Shackle lira type 1 1/2" (2)					

B		
UB	ITEM	PRODUCT
AMANTILLO	12	Extra heavy oval pattern C. block triple T-10" with shackle
	13	Extra heavy oval pattern C. block single T-10" with shackle
	14	Extra heavy oval pattern C. block single T-10" with shackle
	15	Standard oval pattern wire rope block single T-10"
	16	Standard oval pattern wire rope block single T-10"
MANEUVER	17	Extra heavy oval pattern C. block double T-10" with shackle
	18	Cargo hoisting block T-14 with drilled swivel eye
	19	PJ style snatch block T-12
	20	Standard oval pattern wire rope block single T-10"
	21	Shackle lira type 1 1/2" (2)
	22	Shackle lira type 2"



	Shackle	Pulley	Ø Wire Rope	Series	Pg
Shackle	1 3/4"	10"	3/4"	SL643B	50
Shackle	1 1/4"(2)	10"		SL641B	48
Shackle	1 1/4"(2)	10"	3/4"	SL641B	48
Shackle	1 1/4"(2)	10"		SL501B	62
Shackle	1 1/4"	10"	3/4"	SL501B	62
Shackle	1 1/4"	10"		SL642B	49
Shackle	1 1/4"	14"	3/4"	SL561R	42
Shackle	1 1/4"	8"		SLPJR	60
Shackle	1 1/4"	10"		SL501B	62
Shackle	1 1/4"	10"		SL501B	62

C									
UB	ITEM	PRODUCT	Shackle	Pulley	Ø Wire Rope	Series	Pg		
AMANTILLO	23	Extra heavy oval pattern C. block double T-10" with shackle		10"	3/4"	SL642B	49		
	24	Standard oval pattern wire rope block single T-10" with oblong S. eye	1 1/2"(2)	10"		SL501B	62		
MANEUVER	25	Standard oval pattern wire rope block single T-10"	1 1/2"(2)	10"	3/4"	SL501B	62		
	26	Regular wood double sheave block T-6 with shackle	1"	3.5"		SL102B	13		
	27	Regular wood double sheave block T-6 with shackle	1"	3.5"		SL102B	13		
	28	Regular wood single sheave block T-6 with shackle	1"	3.5"		SL101B	12		
	29	Shackle lira type 1 1/2"							
	30	Shackle lira type 1 1/4" (2)							

D								
UB	ITEM	PRODUCT	Shackle	Pulley	Ø Wire Rope	Series	Pg	
AMANTILLO	31	Purse seine block T-20	Shackle 2"	16"	1 1/8	SL1010A	62	
	32	Purse seine block T-18	Shackle 1 3/4"	14"	1	SL1010A	62	
	33	Purse seine block T-16	Shackle 1 1/2"	12"	7/8	SL1010A	62	
	34	Pear ring roller type				SLPRRT	64	

SEALINK[®]

Quality Rigging Products

