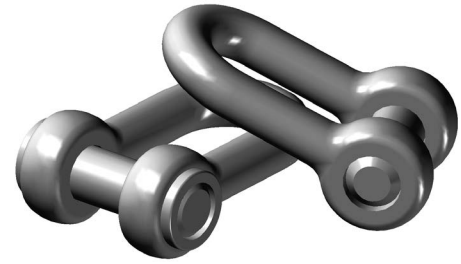
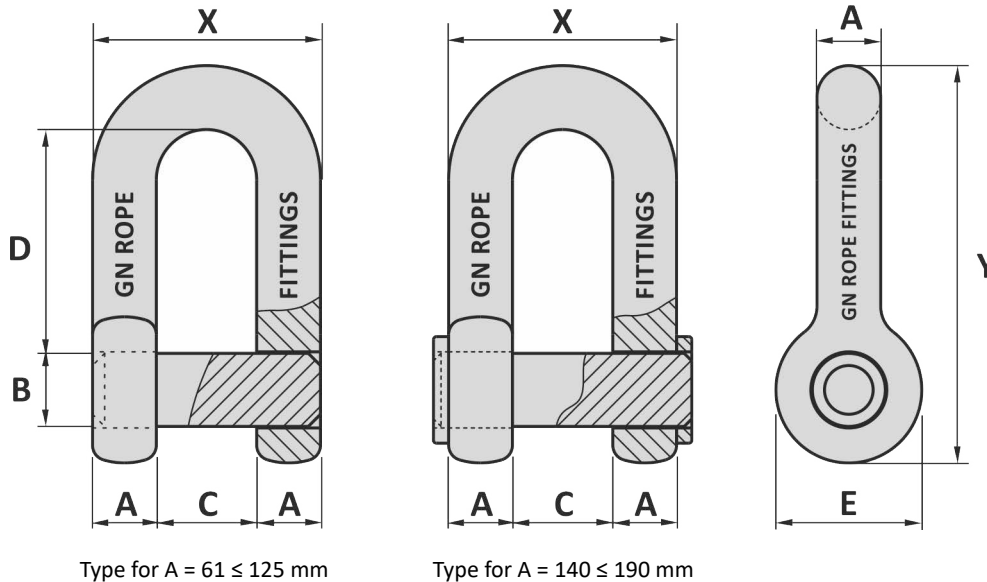


Material : ≤ 31999999 bow: High tensile steel  
 > 32140152 bow: Alloy steel  
 Pin: High tensile steel  
 Finish : Self colored  
 Temperature range : -20°C up to +200°C  
 Standard certification : Certificate of Conformity



Non-standard sizes or custom products available on request



Art. No.	A mm	B mm	C mm	D mm	E mm	X mm	Y mm	Weight kg
31606830	61	68	90	211	136	212	374	30
31708040	74	80	100	234	160	258	440	49
31809040	75	90	125	276	180	275	486	75
31901004	90	95	135	307	200	316	545	100
31950000	100	110	155	339	230	347	600	130
31990000	110	125	175	385	250	395	684	180
31999999	125	140	200	430	280	450	765	260
32140152	140	150	210	475	305	490	843	335
32150164	150	160	220	525	330	520	920	413
32160170	160	170	235	560	340	555	975	500
32170180	170	180	250	610	350	590	1045	601
32180192	180	190	270	650	380	630	1115	716
32190205	190	200	280	690	405	660	1183	839

Tolerance: Inside length ± 7.5%, all other forged parts ± 5%, machined parts ± 1 mm

Art. No.	A inch	B inch	C inch	D inch	E inch	X inch	Y inch	Weight lbs
31606830	2 13/32	2 1/16	3 9/16	8 3/16	5 11/32	8 11/32	14 23/32	66
31708040	2 29/32	3 3/32	3 15/16	9 1/2	6 5/16	10 5/32	17 7/16	108
31809040	2 15/16	3 3/16	4 15/16	10 7/8	7 3/32	10 13/16	19 1/8	165
31901004	3 9/16	3 3/4	5 5/16	12 3/32	7 7/8	12 7/16	21 7/16	220
31950000	3 15/16	4 5/16	6 3/32	13 11/32	9 1/16	13 21/32	23 3/8	287
31990000	4 5/16	4 15/16	6 7/8	15 5/32	9 27/32	15 9/16	26 15/16	397
31999999	4 15/16	5 1/2	7 7/8	16 15/16	11 1/32	17 23/32	30 1/8	573
32140152	5 1/2	5 29/32	8 1/4	18 11/16	12	19 9/32	33 3/16	739
32150164	5 29/32	6 5/16	8 23/32	20 11/16	13	20 15/32	36 7/32	911
32160170	6 5/16	6 1/16	9 1/4	22 1/16	13 3/8	21 27/32	38 3/8	1102
32170180	6 11/16	7 3/32	9 27/32	24	13 25/32	23 7/32	41 1/8	1325
32180192	7 3/32	7 15/32	10 7/8	25 19/32	14 3/32	24 13/16	43 29/32	1579
32190205	7 15/32	7 7/8	11 1/32	27 5/32	15 1/16	26	46 5/16	1850

Tolerance: Inside length ± 7.5%, all other forged parts ± 5%, machined parts ± 1/32 inch

01-04-2017