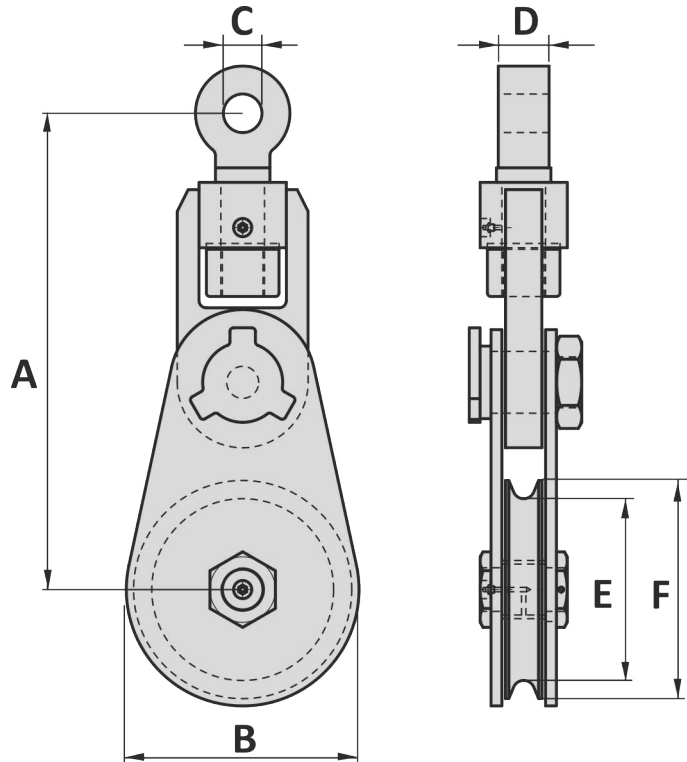


Material : Mild steel  
 Safety factor : 4 times  
 Finish : Painted  
 Temperature range : -4°F up to +392°F  
 Standard certification : Certificate of Conformity

Sheave with bronze bearing,  
 Sheaves with roller bearing on requested

Groove size can be changed on request for bigger rope sizes



Art. No.	Type No.	WLL eye pull ton	WLL line pull ton	Rope size inch	Rope size mm	A inch	B inch	C inch	D inch	E inch	F inch	Weight lbs
<b>Light Type</b>												
20041903	H41903	3.25	1.62	3/8	8 - 10	7 13/32	3 7/32	25/32	1 1/2	2 3/16	3	8.8
20041905	H41905	4.75	2.37	1/2	11 - 14	9 27/32	4 13/16	15/16	1 3/16	3 3/8	4 1/2	20
20041906	H41906	8.5	4.25	3/4	18 - 20	14	6 3/8	1 3/16	1 9/16	4 13/32	6	42
20041908	H41908	8.5	4.25	3/4	18 - 20	15	8 1/2	1 3/16	1 9/16	6 13/32	8	53
20041910	H41910	9.5	4.75	3/4	18 - 20	16	10 5/8	1 1 1/2	1 3/4	8 7/16	10	66
20041912	H41912	9.5	4.75	3/4	18 - 20	17 1/16	12 19/32	1 1 1/2	1 3/4	10 7/16	12	86
20041914	H41914	12	6	3/4	18 - 20	20 5/16	15 19/32	1 7/16	1 7/8	12 13/32	14 3/8	110
20041916	H41916	13.5	6.75	7/8	22 - 25	25 3/8	17	1 2 1/2	2 1/8	14	16	205
20041918	H41918	17	8.5	1	22 - 25	27 5/32	19 5/32	1 3/4	2 1/4	16 1/16	18 1/2	247
<b>Heavy Type</b>												
20043106	H43106	17	8.5	1	22 - 25	19 9/32	6 5/16	1 3/4	2 1/4	4 5/16	5 29/32	108
20043108	H43108	25	12.5	1 1/8	25 - 28	23 1/16	8 2 1/2	2 3/32	2 3/4	5 29/32	7 7/8	172
20043110	H43110	25	12.5	1 1/4	28 - 32	24 7/8	10 5/8	2 3/32	2 3/4	7 15/32	9 29/32	203
20043112	H43112	25	12.5	1 1/4	28 - 32	26 1/16	12 19/32	2 3/32	2 3/4	9 7/16	11 13/16	247
20043114	H43114	25	12.5	1 1/4	28 - 32	27 1/4	14 3/4	2 3/32	2 3/4	11 13/32	13 25/32	280
20043118	H43118	35	17.5	1 1/2	32 - 38	32 7/8	18 1/2	2 3/8	3 5/32	14 3 1/2	17 23/32	470
20043120	H43120	35	17.5	1 1/2	32 - 38	34 1/16	20 15/32	2 3/8	3 5/32	16 15/16	19 1 1/16	536
20043124	H43124	35	17.5	1 1/2	32 - 38	36 13/32	24 5/8	2 3/8	3 5/32	21 1/16	23 13/16	679
20043224	H43224	55	27.5	1 5/8	38 - 42	40 15/16	24 5/8	2 7/8	3 15/16	20 15/32	23 13/16	990
20043230	H43230	85	42.5	1 7/8	44 - 48	47 23/32	30 23/32	3 1 1/2	4 23/32	24 13/16	29 17/32	2068
20043234	H43234	120	60	2	50 - 55	52 1/4	34 3/8	3 15/16	5 1/2	29 3/8	33 7/8	2908
20043236	H43236	150	75	2 1/2	60 - 70	56 3/16	36 3/8	4 7/16	6 5/16	29 15/16	35 13/16	3527
20043242	H43242	200	100	3	75 - 85	64 3/16	42 1/2	5 3/16	6 1 1/16	34 1/4	41 3/4	5038
20043246	H43246	250	125	3 1/2	88 - 93	70 9/32	46 27/32	5 29/32	7 15/32	38 3/16	46 1/16	6647

Tolerance: Forged parts ± 5%, machined parts ± 1/32 inch

20-11-2014