



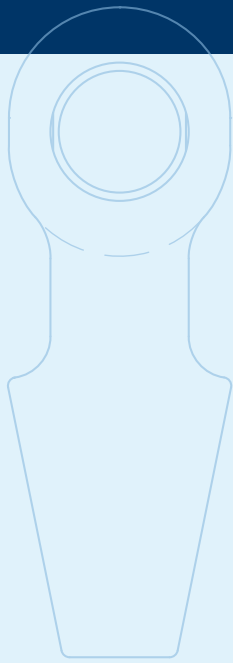
Sockets

Wire rope terminations



ROPEBLOCK





Introduction

With a dedicated team of professionals, a state-of-the-art production facility and global distribution, Ropeblock is the leading supplier for the lifting and wire rope industry. Active in all major related industries, ranging from Mobile cranes to Offshore, Ropeblock has over 30 years of experience in producing products of the highest quality.

Critical equipment

Our products are used in critical equipment such as port cranes, ship cranes, offshore cranes and platforms, dredging equipment, pendant structures, mooring systems and in the heavy lifting industry. Both subsea as well as on today's highest skyscrapers, our products operate successfully on all continents.

Preferred by leading crane and wire rope manufacturers

Many of the leading crane and wire rope manufacturers around the world choose our products and our standard of quality. Our products can meet with the very demanding international regulations and standards.

MISSION

OUR MISSION STATEMENT IS TO ADVISE IN, ENGINEER, MANUFACTURE AND MARKET SAFE AND HIGH QUALITY COMPONENTS FOR THE GLOBAL LIFTING AND WIRE ROPE INDUSTRY.

Central to our mission is the customer. By combining our expertise and close solid customer relationships, we are able to create innovative designs and solutions that meet the needs of the market. A large stock of standard components and the possibility of custom made solutions all contribute to an optimal service for our customers. The flexibility offered by our organization confirms our leading position in the market.



Contents

Introduction	2
Partner for standard and custom designed sockets	4
Quality and Certificates	8
Overview	10
Warnings and application instructions	12
Open Spelter Sockets	14
Closed Spelter Sockets	16
Short Bow Sockets	17
Fast Connector Sockets	18
Super reeve Connector Sockets	20
Open Wedge Sockets	22
Closed Wedge Sockets	24
Open Spelter Socket with JIS	25
Custom socket solutions	26

Ropeblock, your partner for standard and custom designed sockets

Ropeblock's product portfolio of lifting products is well established. After the initial introduction, two decades ago, Ropeblock's socket line has become the industry standard for many end-users and lifting system designers. Wire rope manufacturer's worldwide consider Ropeblock to be the brand of choice for their rope. Our time proven design has been awarded with both DNV and Lloyd's Register type approvals, establishing our unique position in the industry.

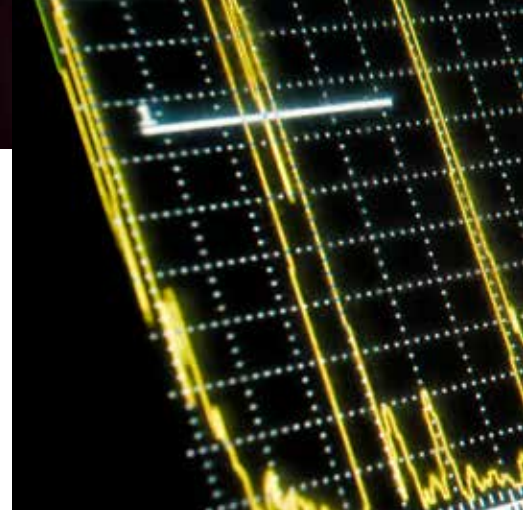
Through our knowledge and experience as a crane block and swivel manufacturer, our sockets have been designed to meet the latest lifting standards. This is one of the reasons why many crane manufacturers specify Ropeblock's socket in their cranes and structures.

The socket product line consists of sockets to be used with both general purpose as well as high performance ropes. They may be used for both quasi-static applications such as bridge suspensions, pendant lines etc. and of course also for more dynamic situations such as in lifting, rigging and mooring applications. Ropeblock sockets are used in extreme environments such as dredging, mining, arctic and subsea applications.

Besides the standard line that is shown in this catalogue, Ropeblock can design, engineer and manufacture any special socket solution that a certain application might require.



SEE OUR WARNINGS AND APPLICATION INSTRUCTIONS



Research and design

Ropeblock's engineering team is continuously researching the limits and limitation of socket design, material usage, application and certification requirements. These extensive studies have led to innovative designs with articles published in several industry leading trade magazines.

Some of the key-features of Ropeblock sockets include:

- A groove-less spelter design: this reduces peak stress areas, enabling the function of the "wire-gripping-slide action"
- Anti-Rotation notch: this prevents the resin-wire mixture in the cone to rotate and move upwards in a zero-load situation
- Sockets are castings: research has shown that, when subjected to multi-directional loads, a casting provides optimal load resistance, compared to forgings
- Design and materials are optimized for fatigue resistance
- 3D FEM analysis is done for each component

Material

Our standard socket range is available in quenched and tempered cast steel with mechanical properties meeting today's tough market requirements. The Short Bow range (SBS, p 17) is also made of quenched and tempered cast steel, with a different chemical composition and with extremely high mechanical properties





to achieve an unmatched weight to MBL ratio. All our sockets are suitable for usage in a sub-zero temperature environment. Materials meet or exceed an impact value of > 42 Joule / -20°C Charpy-V. All casting tolerances are in accordance with DIN 1683-1 GTB 17, unless otherwise specified.

The Ropeblock socket is marked with size, wire rope diameter and batch or serial number. All parts are fully traceable to their certificate by batch or serial number marked on each component.

Testing

Ropeblock sockets are subject to the most stringent surface and volumetric NDT procedures, excluding any risk for production flaws. These procedures are accepted by IACS authorities.

Sockets can be proof loaded in accordance with the Ropeblock testing program, this implies testing up to **30% of the MBL** of the socket. Higher proof loads are available upon request. In-house access to a vertical socket test bed, as well as a horizontal general purpose test bed is available to ensure fast reaction time. Custom designed testing tools have been developed to test all elements, including the cone (or spelter).

Finish

All Wedge, Spelter and Fast and Super reeve Connector Sockets are finished with a Ropeblock-blue coating, or a hot dip galvanized finish.

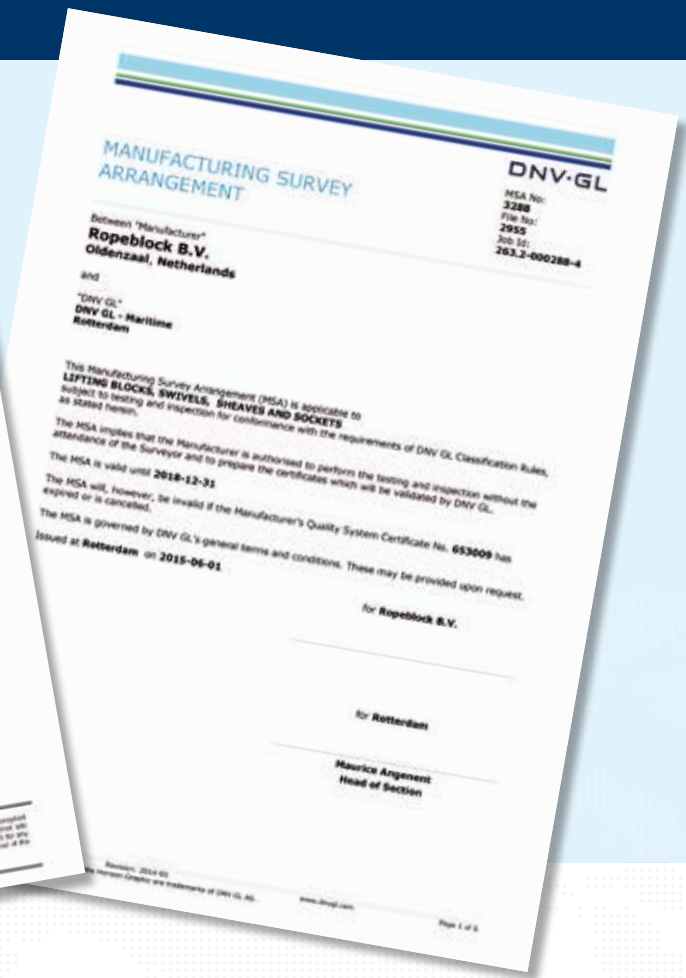
Special requirements

Our engineers are ready to work on any special requirements you may have. Advanced 3D CAD and Finite Element Method (FEM) techniques decrease the time-to-market of new innovative socket designs. These designs include, but are not limited to, different materials (e.g. stainless steel), advanced features (e.g. swivel socket), aesthetic designs (e.g. for bridge work).

Visit our website www.ropeblock.com for more details, or contact your sales representative directly.



ROPEBLOCK



and many more...

Quality

The Quality Management System of Ropeblock has been certified in accordance with ISO 9001: 2008. The manufacturing processes have been approved by DNV, RINA and Bureau Veritas, resulting in a Manufacturing Survey Arrangement. This, together with a dedicated team of QA/QC professionals, ensures a consistent quality of product and service.





Certificates and documents

Upon request, all sockets can be supplied with any of the following documents:

- Declaration of compliance according to EN 10204-2.1, containing:
 - Certificate number
 - Wire rope diameter
 - Minimum breaking load (MBL)
 - Quantity
 - Order number
- All Ropeblock Spelter Sockets (Type OSS, CSS and SBS) are Type Approved by DNV and Lloyd's Register
- EC Declaration according to Machine Directive 2006/42/EG
- Material certificate according to EN 10204-3.1 or EN 10204-3.2
- Manufacturer test certificate according to ILO convention No. 152
- NDE inspection reports
- Inspection certificate issued by official classification or inspection agencies are available on request





Overview



Open Spelter Sockets

Quenched and tempered cast steel range with mechanical values (Charpy-V > 42 Joule / -20°C) for tough and low temperature use. For wire rope diameter 6 - 200 mm (1/4" - 77/8"). Pin secured by cotter pin or bolt, nut and cotter. Optional is a flange connection for use with a bend stiffener. All spelter sockets have a 100% efficiency on wire rope MBL.



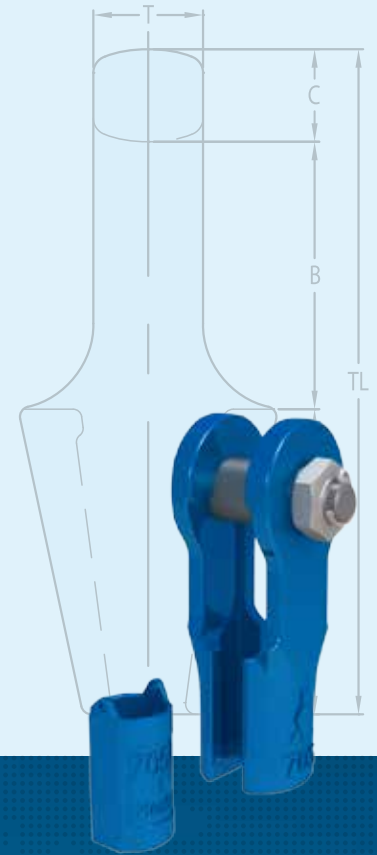
Closed Spelter Sockets

Quenched and tempered cast steel range with mechanical values (Charpy-V > 42 Joule / -20°C) for tough and low temperature use. For wire rope diameter 6 - 200 mm (1/4" - 77/8"). All spelter sockets have a 100% efficiency on wire rope MBL.



Short Bow Sockets

The "ultimate" socket for dynamic loads. Towing lines, anchor lines and chain-rope connections used by major offshore contractors. Quenched and tempered cast steel with extremely high mechanical values for an unmatched weight to MBL ratio. All spelter sockets have a 100% efficiency on wire rope MBL.



Fast Connector Sockets

Specifically designed for mobile and crawler cranes as an alternative to wedge sockets, but with the benefit of 100% efficiency on the wire rope MBL.





Super reeve Connector Sockets

A revolutionary evolution of the Fast Connector Socket. This socket line has the smallest connector diameter available in the market today, and still meets the respective EN standards. It has been designed to go through the smallest spaces in a crane reeving system. This unique patent pending design allows refitting by pouring in the field, saving valuable down time compared to swaging techniques.



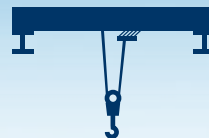
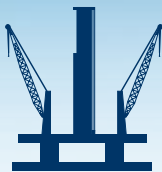
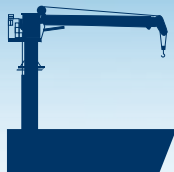
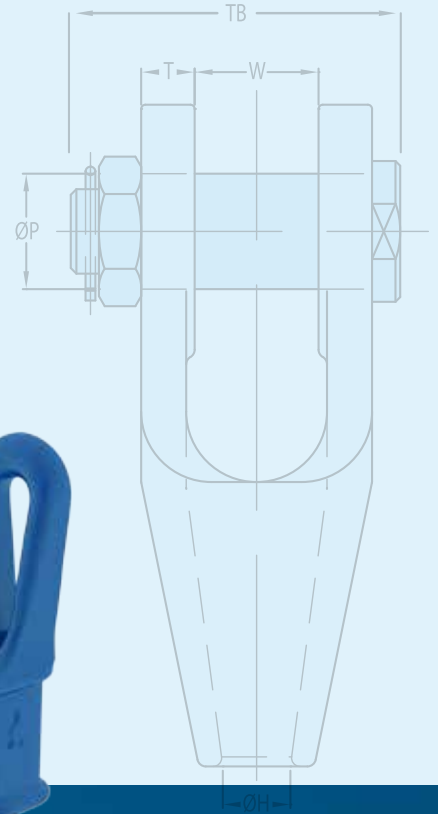
Open Wedge Sockets

Quick detachable socket range for wire rope diameter 7 - 86 mm (5/16" - 3 3/8"). Basket and wedge in quenched and tempered cast steel. Wedge and basket are designed for easy installation and optimal wire rope efficiency.



Closed Wedge Sockets

Quick detachable socket range for wire rope diameter 7 - 86 mm (5/16" - 3 3/8"). Basket and wedge in quenched and tempered cast steel. Wedge and basket are designed for easy installation and optimal wire rope efficiency.





For wire rope Ø		Approximate resin volume
mm	inch	
6 - 7	1/4	9
8 - 10	3/8	15
11 - 13	1/2	35
14 - 16	5/8	50
18 - 19	3/4	80
20 - 22	7/8	120
23 - 26	1	160
27 - 30	1 1/8	220
31 - 36	1 1/2 - 1 3/8	350
37 - 39	1 1/2	425
40 - 42	1 5/8	500
43 - 48	1 3/4 - 1 7/8	700
49 - 54	2 - 2 1/8	1200
55 - 60	2 1/4 - 2 3/8	1450
61 - 68	2 1/2 - 2 5/8	1850
69 - 75	2 3/4 - 2 7/8	2250
76 - 80	3 - 3 1/8	3500
81 - 86	3 1/4 - 3 3/8	4000
87 - 93	3 1/2 - 3 5/8	5000
94 - 102	3 3/4 - 4	7500
108 - 115	4 1/4 - 4 1/2	10500
120 - 130	4 3/4 - 5	14000
135 - 140	5 1/2	16000
141 - 153	5 3/4 - 6	20000
154 - 165	6 1/4 - 6 1/2	26000
166 - 178	6 3/4 - 7	33000
179 - 191	7 1/4 - 7 1/2	39000
192 - 204	7 3/4 - 8	48000

WARNINGS

- Always carry out a visual inspection before using a socket and pin.
- Never use a part showing cracks.
- Do not side-load a socket.
- Repairs are not allowed, for any repairs contact your supplier.
- Never shock-load a socket.

Warnings and application instructions

General

Safety measures should be taken into account when using our sockets. Carefully follow all installation instructions. Important measures can be found below.

Spelter Sockets

- Proper spelter socket terminations have an efficiency equal to the breaking load of the wire. This can be limited by the minimum breaking load of the socket (MBL), as mentioned in the tables
- Please read the instructions of the resin manufacturer carefully before use. Incorrect use of the resin or spelter material can result in an unsafe termination. More information can also be obtained from your wire rope supplier
- Always remove any dirt and grease from the wire rope broom and socket basket
- Ensure that the broomed wires are evenly spaced in the basket and that the wire and basket are aligned with each other
- When using white metal or zinc, the socket may be preheated to 300°C (570°F), but never over 350°C (660°F)
- Make sure the base of the socket is properly sealed. This to prevent resin leakage, which may cause voids
- Never use an assembly before the resin is fully hardened
- Procedures in EN 13411-4, ISO 17558 or equivalent should be followed
- Socketing shall always be executed by competent personnel only

Fast Connector Sockets

- The FCS Spin Resistant connector shall be used with non-rotation resistant wire rope and may be used with rotation resistant wire rope
- The FCS standard (rotating) connector shall be used with non-rotating or rotation resistant wire rope only
- Socketing of the connector shall be executed by competent personnel only. Normal socketing procedures for spelter sockets shall be followed

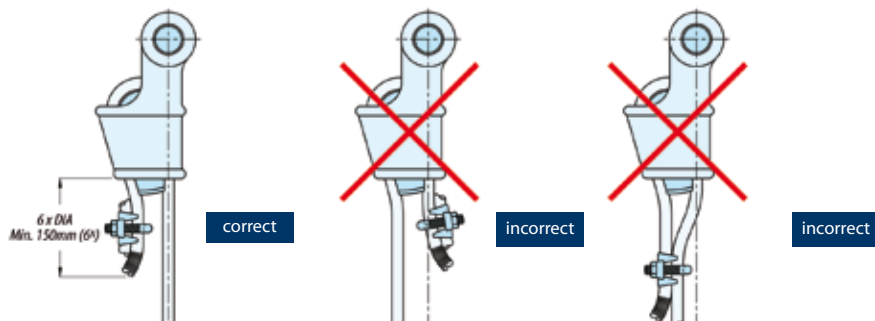
Warnings and application instructions

Super reeve Connector Sockets

- The SCS Spin Resistant connector shall be used with non-rotation resistant wire rope and may be used with rotation resistant wire rope
- The SCS standard (rotating) connector shall be used with non-rotating or rotation resistant wire rope only
- Socketing of the connector shall be executed by competent personnel only
Normal socketing procedures for spelter sockets shall be followed
- The connector cap shall be secured after socketing by means of a high strength thread locking adhesive
- The connector cap is not a lifting device; it is used to pull the connector through the reeving system with a standard shackle
- The connector shall always be installed and used with the retainer properly installed

Wedge Sockets

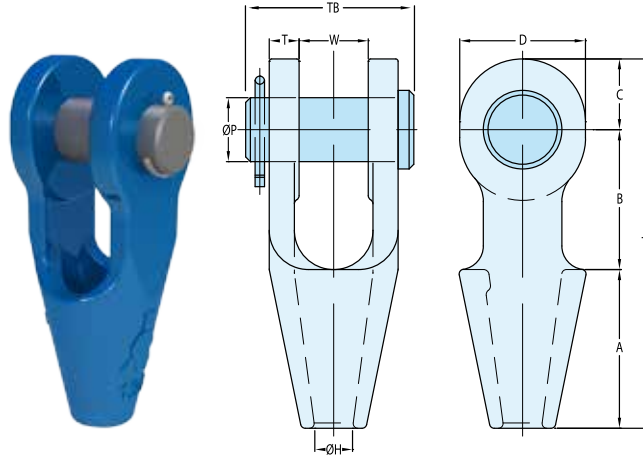
- Always mount the loaded part of the wire in the centre line of the pin (see figures below)
- Secure properly the dead end with a wire rope clip
- Do not attach the dead end to the live wire
- The dead end should have a length of 6 times the wire diameter with a minimum of 150 mm
- Ensure that the wire rope and wedge are fully seated after the first load
- A load may slip if the connection is not properly installed
- Inspect the connection regularly
- The efficiency of a 6 or 8 strand wire rope and most high performance ropes with a Ropeblock wedge socket connection is 80% of the MBL of the wire rope, but limited to the MBL of the socket
- Check your wire rope supplier for efficiency rating details when used with high performance ropes and test the assembly to determine efficiency
- Nominal intermediate rope sizes should be used with the biggest socket within the range





Open Spelter Sockets with pin

Quenched and tempered cast steel



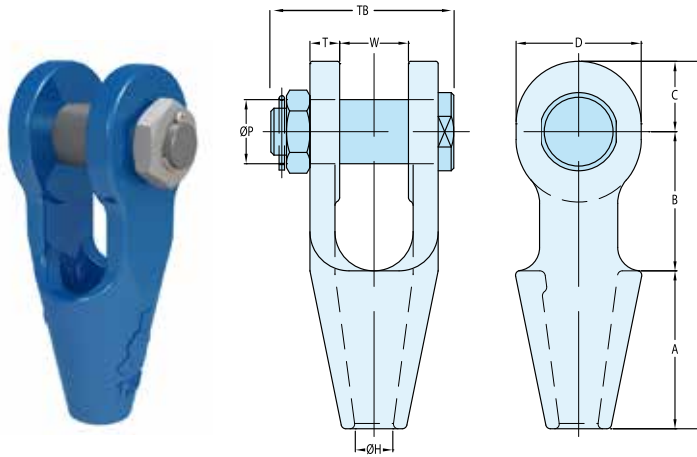
Model nr.	MBL (UStons)	for wire Ø		Strand Ø		Dimensions (inch)										Weight (lbs)
		mm	inch	mm	inch	A	B	C	D	ØH	ØP	T	TL	TB	W	
OSS 196 P	9	6-7	¼	-	-	1 15/16	1 9/16	¾	1 5/16	¾	5/8	¾	4 5/16	2	¾	0,9
OSS 197 P	13	8-10	⅜	-	-	2 ¼	1 ¾	7/8	1 5/8	½	13/16	7/16	4 7/8	2 ½	13/16	1,5
OSS 198 P	22	11-13	7/16 - ½	-	-	2 ½	2	1 1/16	1 5/16	9/16	1	7/16	5 5/16	2 5/8	1	2,2
OSS 199 P	28	14-16	9/16 - 5/8	13	½	3	2 ½	1 ¼	2 5/16	1 1/16	1 3/16	9/16	6 3/4	3 3/8	1 ¼	4,0
OSS 100 P	44	18-19	¾	14-16	9/16 - 5/8	3 ½	3	1 9/16	2 ¾	7/8	1 3/8	5/8	8 1/16	3 ¾	1 ½	7
OSS 104 P	61	20-22	7/8	18-19	¾	4	3 ½	1 ¾	3 ½	1	1 5/8	¾	9 ¼	4 5/16	1 ¾	10
OSS 108 P	83	23-26	1	20-22	7/8	4 ½	4	2 ¾	4 ½	1 ½	2	7/8	10 13/16	5 1/16	2	18
OSS 111 P	99	27-30	1 1/8	23-26	1	5	4 ½	2 9/16	4 ½	1 5/16	2 ¼	1	12 1/16	5 9/16	2 ¼	24
OSS 115 P	138	31-36	1 ¼ - 1 3/8	27-28	1 1/16 - 1 1/8	5 ½	5	2 13/16	4 15/16	1 9/16	2 ½	1 ½	13 5/16	6 ½	2 ½	34
OSS 118 P	165	37-39	1 ½	30-32	1 3/16 - 1 ¼	6	6 3/8	3 ½	5 9/16	1 11/16	2 ¾	1 3/16	15 ½	6 15/16	3	48
OSS 120 P	187	40-42	1 5/8	33-35	1 5/16 - 1 3/8	6 ½	6 ½	3 7/16	6 ½	1 13/16	3	1 5/16	16 7/16	7 3/8	3	60
OSS 125 P	248	43-48	1 ¾ - 1 7/8	36-40	1 7/16 - 1 5/8	7 ½	7	3 15/16	6 15/16	2 1/16	3 ½	1 9/16	18 7/16	8 7/16	3 ½	90
OSS 128 P	309	49-54	2 - 2 1/8	42-45	1 5/8 - 1 ¾	8 ½	9	4 ¼	7 5/8	2 5/16	3 ¾	1 ¾	21 ¾	9 5/8	4	132
OSS 130 P	397	55-60	2 ¼ - 2 3/8	46-48	1 13/16 - 1 7/8	9	10	4 ¾	8 ¼	2 9/16	4 ¼	2 1/16	23 ¾	10 13/16	4 7/16	194
OSS 132 P	468	61-68	2 ½ - 2 5/8	50-54	2 - 2 1/8	9 ¾	10 ¾	5 ¼	9 5/16	2 15/16	4 ¾	2 3/8	25 ¾	11 13/16	5	261
OSS 135 P	507	69-75	2 ¾ - 2 7/8	56-62	2 ¼ - 2 ½	11	11	5 7/16	9 7/16	3 3/16	5	2 7/8	27 3/8	13 3/16	5 ¼	342
OSS 138 P	617	76-80	3 - 3 1/8	64-67	2 ½ - 2 5/8	12	11 ¼	5 ¾	9 15/16	3 ½	5 ¼	3	29	14	5 ¾	410
OSS 140 P	689	81-86	3 ¼ - 3 3/8	69-76	2 ¾ - 3	13	11 ¾	6 5/16	11 7/16	3 5/8	5 ½	3 ½	31	14 ¾	6 ¼	499
OSS 142 P	794	87-93	3 ½ - 3 5/8	78-86	3 1/16 - 3 3/8	14	12 ½	7	12 5/8	3 7/8	6	3 ¼	33 ½	15 ¾	6 ¾	624
OSS 144 P	965	94-102	3 ¾ - 4	88-96	3 7/16 - 3 ¾	15	13 ½	7 ½	13 ¾	4 ¼	7	3 ½	36	17 ½	7 ½	825
OSS 146 P	1323	108-115	4 ¼ - 4 ½	98-110	3 7/8 - 4 5/16	17 11/16	18 7/8	8 7/16	15 ¾	5 1/16	7 11/16	3 15/16	45 1/16	18 5/16	8 1/16	1188
OSS 150 P	1543	120-130	4 ¾ - 5	112-124	4 7/16 - 4 7/8	19 11/16	19 11/16	9 13/16	17 11/16	5 13/16	8 11/16	4 5/16	49 3/16	20 11/16	8 7/8	1678
OSS 155 P	1764	135-140	5 ¼ - 5 ½	125-132	4 15/16 - 5 3/16	21 ¼	19 9/16	10 3/8	18 7/8	6 1/16	9 7/16	5 ½	51 3/16	23 ¼	9 1/16	2352
OSS 160 P	2205	142-153	5 ¾ - 6	133-143	5 ¼ - 5 5/8	23 1/16	19 7/8	10 13/16	19 11/16	6 ¾	10 1/16	5 ½	53 ¾	24	9 13/16	2584
OSS 165 P	2447	154-165	6 ¼ - 6 ½	144-154	5 11/16 - 6 ¼	24 13/16	20 7/8	11 13/16	21 5/8	7 5/16	10 13/16	5 7/8	57 ½	25 3/16	10 ¼	3177
OSS 170 P	2756	166-178	6 ¾ - 7	155-166	6 ¼ - 6 ¾	26 ¾	22 7/16	12 3/16	22 7/16	7 13/16	11 5/8	5 7/8	61 7/16	26	11	3560
OSS 175 P	3086	180-191	7 ¼ - 7 ½	167-179	6 9/16 - 7 1/16	28 9/16	23 5/8	12 13/16	23 5/8	8 3/8	12 3/16	6 ½	64 15/16	27 ½	11 13/16	4204
OSS 180 P	3527	192-204	7 ¾ - 8	180-191	7 ¼ - 7 ½	30 ½	24 7/16	13 9/16	25 3/16	9	13	6 5/16	68 ½	28 3/8	12 5/8	4936

MBL = Minimum Breaking Load

The standard finish of our sockets is blue. Hot dipped galvanized is also available. Socket range OSS 196 until OSS 100 is delivered with galvanized finish, other finishes are available upon request. All sockets are provided with an EN 10204-2.1 declaration of conformity, EN 10204-3.1 material certificate and can be provided with a 2006/42/EC declaration where applicable.

Open Spelter Sockets with bolt and nut

Quenched and tempered cast steel



Model nr.	MBL (UStons)	for wire Ø		Strand Ø		Dimensions (inch)										Weight (lbs)
		mm	inch	mm	inch	A	B	C	D	ØH	ØP	T	TL	TB	W	
OSS 196 B	9	6-7	¼	-	-	1 15/16	1 9/16	¾	1 5/16	¾	5/8	¾	4 5/16	2 7/16	¾	1,1
OSS 197 B	13	8-10	⅜	-	-	2 ¼	1 ¾	7/8	1 5/8	½	13/16	7/16	4 7/8	2 15/16	13/16	1,7
OSS 198 B	22	11-13	7/16 - ½	-	-	2 ½	2	1 1/16	1 5/16	9/16	1	7/16	5 5/16	3 ⅞	1	2,4
OSS 199 B	28	14-16	9/16 - 5/8	13	½	3	2 ½	1 ¼	2 5/16	1 1/16	1 3/16	9/16	6 ¾	3 ¾	1 ¼	4,2
OSS 100 B	44	18-19	¾	14-16	9/16 - 5/8	3 ½	3	1 9/16	2 ¾	7/8	1 3/8	5/8	8 1/16	4 3/16	1 ½	7
OSS 104 B	61	20-22	7/8	18-19	¾	4	3 ½	1 ¾	3 ⅞	1	1 5/8	¾	9 ¼	4 13/16	1 ¾	10
OSS 108 B	83	23-26	1	20-22	7/8	4 ½	4	2 ¾	4 ⅞	1 1/8	2	7/8	10 13/16	5 7/16	2	18
OSS 111 B	99	27-30	1 ⅞	23-26	1	5	4 ½	2 9/16	4 ½	1 5/16	2 ¼	1	12 1/16	6 5/16	2 ¼	26
OSS 115 B	138	31-36	1 ¼ - 1 3/8	27-28	1 1/16 - 1 1/8	5 ½	5	2 13/16	4 15/16	1 9/16	2 ½	1 ⅞	13 5/16	6 ½	2 ½	35
OSS 118 B	165	37-39	1 ½	30-32	1 3/16 - 1 ¼	6	6 3/8	3 ⅞	5 9/16	1 11/16	2 ¾	1 3/16	15 ½	7 13/16	3	50
OSS 120 B	187	40-42	1 5/8	33-35	1 5/16 - 1 3/8	6 ½	6 ½	3 7/16	6 ⅞	1 13/16	3	1 5/16	16 7/16	8 ¼	3	62
OSS 125 B	248	43-48	1 ¾ - 1 7/8	36-40	1 7/16 - 1 5/8	7 ½	7	3 15/16	6 15/16	2 1/16	3 ½	1 9/16	18 7/16	9 5/16	3 ½	95
OSS 128 B	309	49-54	2 - 2 1/8	42-45	1 5/8 - 1 ¾	8 ½	9	4 ¼	7 5/8	2 5/16	3 ¾	1 ¾	21 ¾	10 3/8	4	136
OSS 130 B	397	55-60	2 ¼ - 2 3/8	46-48	1 13/16 - 1 7/8	9	10	4 ¾	8 ¼	2 9/16	4 ¼	2 1/16	23 ¾	11 ¾	4 7/16	199
OSS 132 B	468	61-68	2 ½ - 2 5/8	50-54	2 - 2 1/8	9 ¾	10 ¾	5 ¼	9 5/16	2 15/16	4 ¾	2 3/8	25 ¾	13	5	270
OSS 135 B	507	69-75	2 ¾ - 2 7/8	56-62	2 ¼ - 2 ½	11	11	5 7/16	9 7/16	3 3/16	5	2 7/8	27 3/8	14 ⅞	5 ¼	350
OSS 138 B	617	76-80	3 - 3 ⅞	64-67	2 ½ - 2 5/8	12	11 ¼	5 ¾	9 15/16	3 ½	5 ¼	3	29	14 15/16	5 ¾	419
OSS 140 B	689	81-86	3 ¼ - 3 3/8	69-76	2 ¾ - 3	13	11 ¾	6 5/16	11 7/16	3 5/8	5 ½	3 ⅞	31	15 5/8	6 ¼	507
OSS 142 B	794	87-93	3 ½ - 3 5/8	78-86	3 1/16 - 3 3/8	14	12 ½	7	12 5/8	3 7/8	6	3 ¼	33 ½	16 ½	6 ¾	632
OSS 144 B	965	94-102	3 ¾ - 4	88-96	3 7/16 - 3 ¾	15	13 ½	7 ½	13 ¾	4 ¼	7	3 ½	36	17 ¾	7 ½	831
OSS 146 B	1323	108-115	4 ¼ - 4 ½	98-110	3 7/8 - 4 5/16	17 11/16	18 7/8	8 7/16	15 ¾	5 1/16	7 11/16	3 15/16	45 1/16	19 15/16	8 1/16	1207
OSS 150 B	1543	120-130	4 ¾ - 5	112-124	4 7/16 - 4 7/8	19 11/16	19 11/16	9 13/16	17 11/16	5 13/16	8 11/16	4 5/16	49 3/16	21 ½	8 7/8	1688
OSS 155 B	1764	135-140	5 ¼ - 5 ½	125-132	4 15/16 - 5 3/16	21 ¼	19 9/16	10 3/8	18 7/8	6 1/16	9 7/16	5 ½	51 3/16	24 ½	9 1/16	2383
OSS 160 B	2205	142-153	5 ¾ - 6	133-143	5 ¼ - 5 5/8	23 1/16	19 7/8	10 13/16	19 11/16	6 ¾	10 1/16	5 ½	53 ¾	25 13/16	9 13/16	2646
OSS 165 B	2447	154-165	6 ¼ - 6 ½	144-154	5 11/16 - 6 ¼	24 13/16	20 7/8	11 13/16	21 5/8	7 5/16	10 13/16	5 7/8	57 ½	26 15/16	10 ¼	3250
OSS 170 B	2756	166-178	6 ¾ - 7	155-166	6 ¼ - 6 ¾	26 ¾	22 7/16	12 3/16	22 7/16	7 13/16	11 5/8	5 7/8	61 7/16	28 ⅞	11	3649
OSS 175 B	3086	180-191	7 ¼ - 7 ½	167-179	6 9/16 - 7 1/16	28 9/16	23 5/8	12 13/16	23 5/8	8 3/8	12 3/16	6 ⅞	64 15/16	29 ½	11 13/16	4312
OSS 180 B	3527	192-204	7 ¾ - 8	180-191	7 ¼ - 7 ½	30 ½	24 7/16	13 9/16	25 3/16	9	13	6 5/16	68 ½	31 ⅞	12 5/8	5077

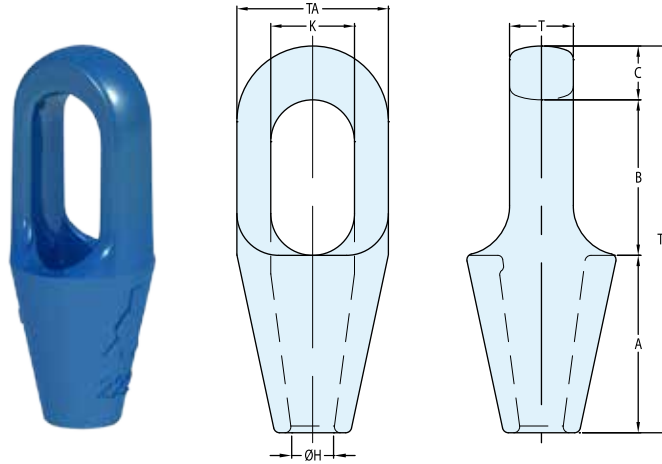
MBL = Minimum Breaking Load

The standard finish of our sockets is blue. Hot dipped galvanized is also available. Socket range OSS 196 until OSS 100 is delivered with galvanized finish, other finishes are available upon request. All sockets are provided with an EN 10204-2.1 declaration of conformity, EN 10204-3.1 material certificate and can be provided with a 2006/42/EC declaration where applicable.



Closed Spelter Sockets

Quenched and tempered cast steel



Model nr.	MBL (UStons)	for wire Ø		Strand Ø		Dimensions (inch)								Weight (lbs)
		mm	inch	mm	inch	A	B	C	ØH	K	T	TA	TL	
CSS 296	9	6-7	¼	-	-	1 15/16	1 9/16	7/16	3/8	7/8	½	1 7/16	4	1
CSS 297	13	8-10	3/8	-	-	2 ¼	1 7/8	9/16	½	1	1 1/16	1 11/16	4 11/16	1
CSS 298	22	11-13	7/16 - ½	-	-	2 ½	2 5/16	1 1/16	9/16	1 3/16	7/8	2	5 ½	2
CSS 299	28	14-16	9/16 - 5/8	13	½	3	2 9/16	1 3/16	1 1/16	1 7/16	1	2 5/8	6 3/8	3
CSS 200	44	18-19	¾	14-16	9/16 - 5/8	3 ½	3 1/16	1 1/16	7/8	1 5/8	1 ¼	3	7 5/8	5
CSS 201	61	20-22	7/8	18-19	¾	4	3 9/16	1 5/16	1	1 7/8	1 ½	3 5/8	8 13/16	8
CSS 204	83	23-26	1	20-22	7/8	4 ½	4 1/16	1 7/16	1 ½	2 ¼	1 ¾	4 ½	9 15/16	12
CSS 207	99	27-30	1 1/8	23-26	1	5	4 9/16	1 9/16	1 5/16	2 ½	2	4 ½	11 1/8	16
CSS 212	138	31-36	1 ¼ - 1 3/8	27-28	1 1/16 - 1 1/8	5 ½	5 1/8	1 11/16	1 9/16	2 ¾	2 ¼	4 15/16	12 5/16	22
CSS 215	165	37-39	1 ½	30-32	1 3/16 - 1 ¼	6	6 1/8	2	1 11/16	3 3/8	2 ½	5 3/8	14 1/8	29
CSS 217	187	40-42	1 5/8	33-35	1 5/16 - 1 3/8	6 ½	6 3/4	2 1/8	1 13/16	3 ¼	2 ¾	5 ¾	15 3/8	37
CSS 219	248	43-48	1 ¾ - 1 7/8	36-40	1 7/16 - 1 5/8	7 ½	7 13/16	2 3/16	2 1/16	3 11/16	3	6 ¾	17 7/16	56
CSS 222	309	49-54	2 - 2 1/8	42-45	1 5/8 - 1 ¾	8 ½	8 13/16	2 7/16	2 5/16	3 15/16	3 ¼	7 5/8	19 ¾	81
CSS 224	397	55-60	2 ¼ - 2 3/8	46-48	1 13/16 - 1 7/8	9	9 ¾	2 7/8	2 9/16	4 7/16	3 5/8	8 ½	21 9/16	111
CSS 226	468	61-68	2 ½ - 2 5/8	50-54	2 - 2 1/8	9 ¾	10 5/8	3 1/8	2 15/16	5 ½	4	9 ½	23 ½	144
CSS 227	507	69-75	2 ¾ - 2 7/8	56-62	2 ¼ - 2 ½	11	11 ¼	3 1/8	3 1/8	6 ¼	4 7/8	10 ¾	25 3/8	201
CSS 228	617	76-80	3 - 3 1/8	64-67	2 ½ - 2 5/8	12 3/8	11 ¾	3 ¼	3 ½	6 ¾	5 ¼	11 ½	27 3/8	257
CSS 229	689	81-86	3 ¼ - 3 3/8	69-76	2 ¾ - 3	13	12 ¼	4	3 5/8	7 ¼	5 ¾	12 ¼	29 ¼	274
CSS 230	794	87-93	3 ½ - 3 5/8	78-86	3 1/16 - 3 3/8	14	13	4	3 7/8	7 ¾	6 ¼	13	31	388
CSS 231	965	94-102	3 ¾ - 4	88-96	3 7/16 - 3 ¾	15	14	4 ¼	4 ¼	8 ½	7	14 ¼	33 ¼	502
CSS 233	1323	108-115	4 ¼ - 4 ½	98-110	3 7/8 - 4 5/16	17 11/16	16 ¾	4 15/16	5 1/8	9 ¼	7 ½	15 15/16	39 3/8	712
CSS 240	1543	120-130	4 ¾ - 5	112-124	4 7/16 - 4 7/8	19 11/16	20 11/16	4 15/16	5 13/16	10 ¼	7 7/8	17 11/16	45 ¼	986
CSS 245	1764	135-140	5 ¼ - 5 ½	125-132	4 15/16 - 5 3/16	21 ¼	19 ½	6	6 1/8	11 ½	8 ¾	20 ½	46 5/8	1422
CSS 250	2205	142-153	5 ¾ - 6	133-143	5 ¼ - 5 5/8	23 1/16	20 ¾	6 1/16	6 ¾	12	9 7/16	21 ½	50 ½	1634
CSS 255	2447	154-165	6 ½ - 6 ¼	144-154	5 11/16 - 6 ¼	24 13/16	22 ¼	6 7/8	7 ¼	13	10	22 5/8	53 7/8	1896
CSS 260	2756	166-178	6 ¾ - 7	155-166	6 ¼ - 6 ¾	26 ¾	23 ¼	7	7 13/16	13	10 5/8	23 7/16	57	2172
CSS 265	3086	180-191	7 ¼ - 7 ½	167-179	6 9/16 - 7 1/16	28 9/16	24 ½	7 ½	8 3/8	13 ¾	11 ½	24 5/8	60 7/16	2608
CSS 270	3527	192-204	7 ¾ - 8	180-191	7 ¼ - 7 ½	30 ½	25 9/16	8 ¼	9	15 ½	12	27 ¼	64 ¼	3278

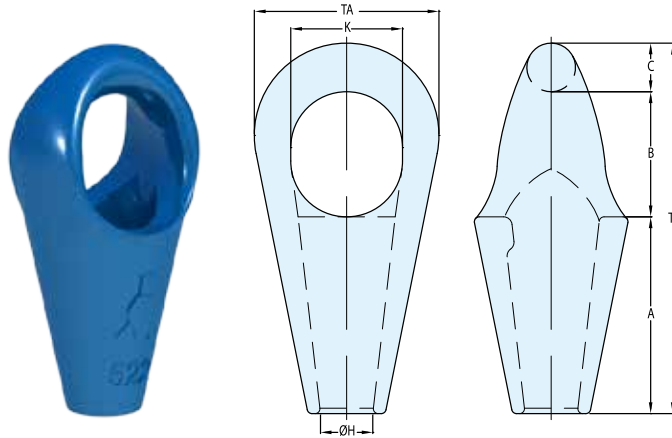
MBL = Minimum Breaking Load

The standard finish of our sockets is blue. Hot dipped galvanized is also available. Socket range CSS 296 until CSS 201 is delivered with galvanized finish, other finishes are available upon request. All sockets are provided with an EN 10204-2.1 declaration of conformity, EN 10204-3.1 material certificate and can be provided with a 2006/42/EC declaration where applicable.

SEE OUR WARNINGS AND APPLICATION INSTRUCTIONS

Short Bow Sockets

Quenched and tempered cast steel



Model nr.	MBL (UStons)	for wire Ø		Dimensions (inch)							Weight (lbs)
		mm	inch	A	B	C	ØH	K	TA	TL	
SBS 512	154	31-36	1 ¼ - 1 ⅜	5 ⅙	3 ¼	1 ½	1 ½	2 ⅙	5 ⅜	10 ⅝	15
SBS 517	176	37-42	1 ½ - 1 ⅝	6 ⅜	4 ⅙	1 ½	1 ¾	3 ⅝	6	12	22
SBS 519	220	43-48	1 ¾ - 1 ⅞	7 ⅜	4 ¾	1 ⅞	2	4 ⅞	7	14	34
SBS 522	276	49-54	2 - 2 ⅛	8 ⅙	5 ⅜	2 ⅛	2 ¼	4 ¾	7 ⅞	15 ⅜	46
SBS 524	353	55-60	2 ¼ - 2 ⅜	9 ⅙	5 ⅜	2 ⅞	2 ½	5 ⅝	8 ⅙	17 ⅝	62
SBS 526	441	61-68	2 ½ - 2 ⅝	10 ½	6 ½	2 ⅙	2 ⅝	5 ⅞	9 ⅙	19 ⅝	96
SBS 527	551	69-75	2 ¾ - 2 ⅞	11 ⅙	7	2 ⅝	3 ⅞	6 ⅞	10 ⅙	21 ¼	118
SBS 528	661	76-80	3 - 3 ⅛	12 ⅜	7 ⅙	3	3 ½	6 ⅞	11 ⅝	23 ⅙	155
SBS 529	772	81-86	3 ¼ - 3 ⅝	12 ⅞	8 ½	3 ¼	3 ⅝	7 ⅞	12 ⅝	24 ⅝	179
SBS 530	882	87-93	3 ½ - 3 ⅝	14 ⅞	8 ⅙	3 ⅝	3 ⅞	7 ⅙	13 ¾	26 ⅜	246
SBS 531	992	94-102	3 ¾ - 4	14 ⅜	9 ¼	3 ⅙	4 ¼	8 ⅞	14 ¾	27 ⅙	287
SBS 533	1102	108-115	4 ¼ - 4 ½	16 ⅙	10 ⅝	4 ⅙	4 ¾	9 ⅞	16 ⅞	31 ½	401

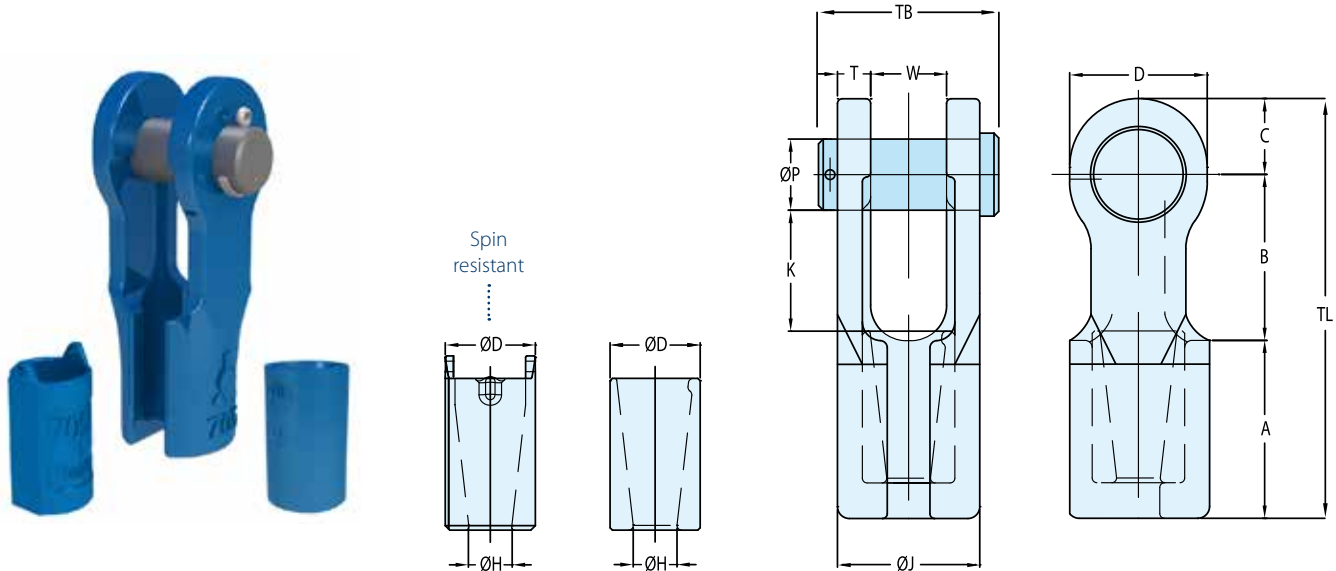
MBL = Minimum Breaking Load

The standard finish of our sockets is blue. Hot dipped galvanized is also available. All sockets are provided with an EN 10204-2.1 declaration of conformity, EN 10204-3.1 material certificate and can be provided with a 2006/42/EC declaration where applicable.



Fast Connector Sockets with pin

Quenched and tempered cast steel



Model nr.	Reeving aid	MBL (UStons)	for wire Ø		Dimensions (inch)													Weight (lbs)
			mm	inch	A	B	C	ØH	ØP	T	W	D	ØD	ØJ	K	TB	TL	
FCS 701 P	-	22	11-13	7/16 - 1/2	2 7/16	2 3/8	1 1/16	9/16	1	1/2	1	1 15/16	1 5/16	1 15/16	1 13/16	2 5/8	5 7/8	4
FCS 702 P	-	28	13-16	1/2 - 5/8	2 13/16	3 1/16	1 1/4	1 1/16	1 3/16	9/16	1 1/4	2 5/16	1 1/2	2 3/8	2 5/16	3 3/8	7 3/16	6
FCS 703 P	-	44	16-19	5/8 - 3/4	3 3/8	3 11/16	1 9/16	13/16	1 3/8	5/8	1 3/4	2 3/4	1 12/16	2 3/4	2 11/16	3 3/4	8 9/16	10
FCS 704 P	-	61	20-22	7/8	4	4 3/16	1 3/4	15/16	1 5/8	3/4	1 3/4	3 1/8	1 15/16	3 1/4	3 3/16	4 5/16	9 15/16	14
FCS 705 P	-	83	23-26	1	4 1/2	4 13/16	2 3/8	1 1/8	2	7/8	2	4 1/8	2 3/8	3 3/4	3 9/16	5 1/16	11 9/8	24
FCS 706 P	-	99	27-29	1 1/8	5 1/2	6	2 9/16	1 1/4	2 1/4	1	2 1/4	4 1/2	2 3/4	4 3/16	4 9/16	5 9/16	14 1/16	35
FCS 705 P.SR	T 705	83	23-26	1	4 1/2	4 13/16	2 3/8	1 1/8	2	7/8	2	4 1/8	2 3/8	3 3/4	3 9/16	5 1/16	11 9/8	24
FCS 706 P.SR	T 706	99	27-29	1 1/8	5 1/2	6	2 9/16	1 1/4	2 1/4	1	2 1/4	4 1/2	2 3/4	4 3/16	4 9/16	5 9/16	14 1/16	35
FCS 707 P.SR	T 706	138	30-32	1 1/4	5 7/8	6 1/2	2 7/8	1 7/16	2 1/2	1 1/8	2 1/2	4 15/16	3 1/8	4 11/16	4 3/4	6 1/8	15 1/16	40
FCS 708 P.SR	T 706	138	33-36	1 3/8	6 5/16	6 3/4	2 7/8	1 9/16	2 1/2	1 1/8	2 11/16	4 15/16	3 3/8	4 15/16	5 1/8	6 5/16	15 7/8	51
FCS 709 P.SR	T 709	165	37-39	1 1/2	6 15/16	7 3/8	3 1/8	1 5/8	2 3/4	1 3/16	3	5 9/16	3 9/16	5 3/8	5 9/16	6 15/16	17 7/16	64
FCS 710 P.SR	T 709	187	40-42	1 5/8	7 3/8	7 13/16	3 7/16	1 3/4	3	1 5/16	3	6 1/8	3 3/4	5 9/16	5 7/8	7 3/8	18 11/16	79
FCS 711 P.SR	T 711	248	43-48	1 3/4 - 1 7/8	8 1/4	9 1/8	3 15/16	2 1/16	3 1/2	1 9/16	3 1/2	6 15/16	4 5/16	6 9/16	6 7/8	8 7/16	21 5/16	128



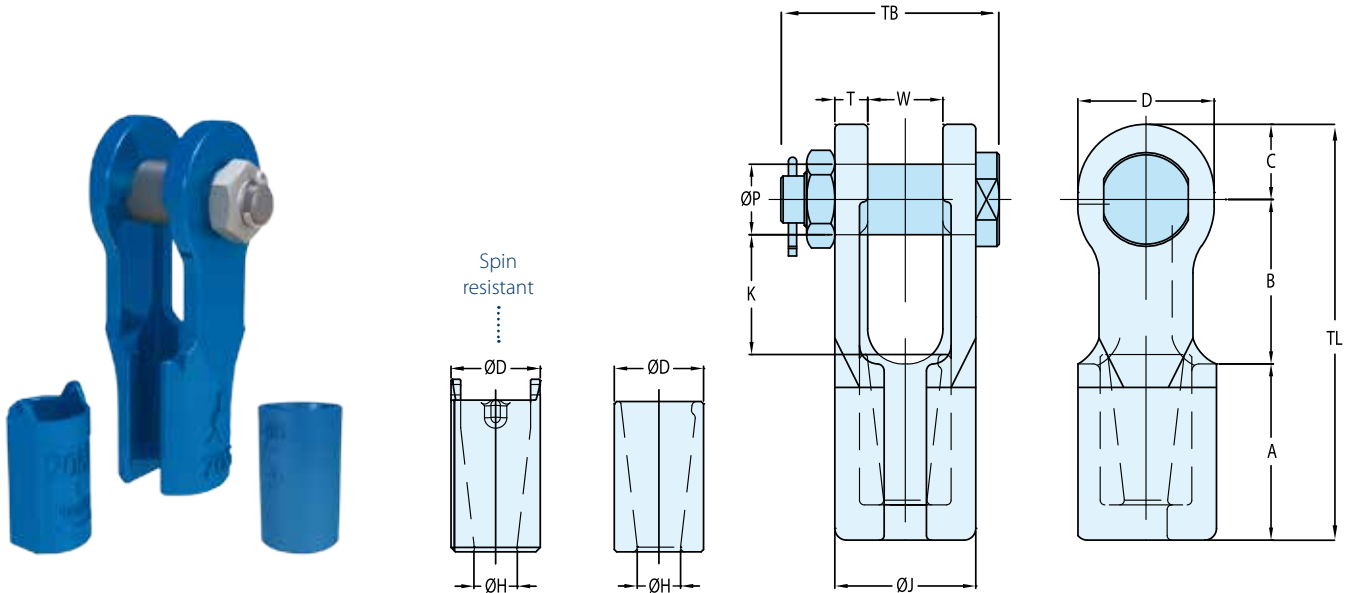
Reeving tool (optional)

MBL = Minimum Breaking Load

The standard finish of our sockets is blue. Hot dipped galvanized is also available. All sockets are provided with an EN 10204-2.1 declaration of conformity, EN 10204-3.1 material certificate and can be provided with a 2006/42/EC declaration where applicable.

Fast Connector Sockets with bolt and nut

Quenched and tempered cast steel



Model nr.	Reeving aid	MBL (UStons)	for wire Ø		Dimensions (inch)													Weight (lbs)
			mm	inch	A	B	C	ØH	ØP	T	W	D	ØD	ØJ	K	TB	TL	
FCS 701 B	-	22	11-13	7/16 - 1/2	2 7/16	2 3/8	1 1/16	9/16	1	1/2	1	1 15/16	1 5/16	1 15/16	1 13/16	3 1/8	5 7/8	4
FCS 702 B	-	28	13-16	1/2 - 5/8	2 13/16	3 1/16	1 1/4	1 1/16	1 3/16	9/16	1 1/4	2 5/16	1 1/2	2 5/8	2 5/16	3 3/4	7 3/16	6
FCS 703 B	-	44	16-19	5/8 - 3/4	3 3/8	3 11/16	1 9/16	1 3/16	1 3/8	5/8	1 3/4	2 3/4	1 13/16	2 3/4	2 11/16	4 3/16	8 9/16	10
FCS 704 B	-	61	20-22	7/8	4	4 3/16	1 3/4	1 5/16	1 5/8	3/4	1 3/4	3 1/8	1 15/16	3 1/4	3 3/16	4 13/16	9 15/16	14
FCS 705 B	-	83	23-26	1	4 1/2	4 13/16	2 3/8	1 1/8	2	7/8	2	4 1/8	2 3/8	3 3/4	3 9/16	5 7/16	11 6/8	24
FCS 706 B	-	99	27-29	1 1/8	5 1/2	6	2 9/16	1 1/4	2 1/4	1	2 1/4	4 1/2	2 3/4	4 3/16	4 9/16	6 5/16	14 1/16	35
FCS 705 B.SR	T 705	83	23-26	1	4 1/2	4 13/16	2 3/8	1 1/8	2	7/8	2	4 1/8	2 3/8	3 3/4	3 9/16	5 7/16	11 6/8	24
FCS 706 B.SR	T 706	99	27-29	1 1/8	5 1/2	6	2 9/16	1 1/4	2 1/4	1	2 1/4	4 1/2	2 3/4	4 3/16	4 9/16	6 5/16	14 1/16	35
FCS 707 B.SR	T 706	138	30-32	1 1/4	5 7/8	6 1/2	2 7/8	1 7/16	2 1/2	1 1/8	2 1/2	4 15/16	3 1/8	4 11/16	4 3/4	6 1/2	15 1/16	40
FCS 708 B.SR	T 706	138	33-36	1 3/8	6 5/16	6 3/4	2 7/8	1 9/16	2 1/2	1 1/8	2 11/16	4 15/16	3 3/8	4 15/16	5 1/8	7 5/16	15 7/8	51
FCS 709 B.SR	T 709	165	37-39	1 1/2	6 15/16	7 3/8	3 1/8	1 5/8	2 3/4	1 3/16	3	5 9/16	3 9/16	5 3/8	5 9/16	7 15/16	17 7/16	64
FCS 710 B.SR	T 709	187	40-42	1 5/8	7 3/8	7 13/16	3 7/16	1 3/4	3	1 5/16	3	6 1/8	3 3/4	5 9/16	5 7/8	8 1/4	18 11/16	79
FCS 711 B.SR	T 711	248	43-48	1 3/4 - 1 7/8	8 1/4	9 1/8	3 15/16	2 1/16	3 1/2	1 9/16	3 1/2	6 15/16	4 5/16	6 9/16	6 7/8	9 5/16	21 5/16	128



Reeving tool (optional)

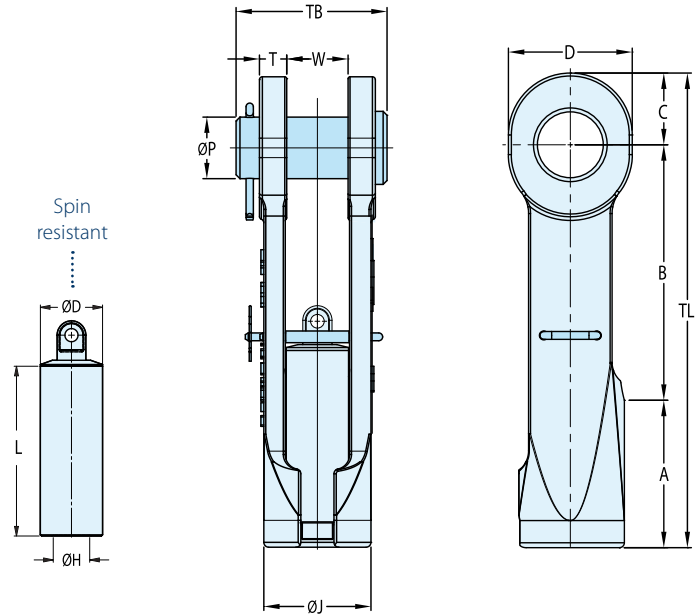
MBL = Minimum Breaking Load

The standard finish of our sockets is blue. Hot dipped galvanized is also available. All sockets are provided with an EN 10204-2.1 declaration of conformity, EN 10204-3.1 material certificate and can be provided with a 2006/42/EC declaration where applicable.



Super reeve Connector Sockets with pin

Quenched and tempered cast steel



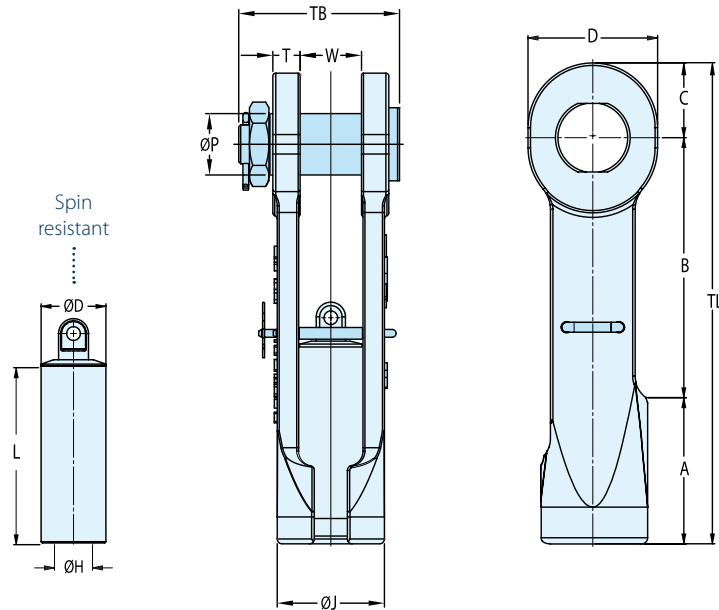
Model nr.	MBL (UStons)	for wire Ø		Dimensions (inch)													Weight (lbs)
		mm	inch	A	B	C	ØH	ØP	T	W	D	ØD	ØJ	L	TB	TL	
SCS 901 P	22	11-13	7/16 - 1/2	-	-	-	-	-	-	-	-	-	-	-	-	-	-
SCS 902 P	28	13-16	1/2 - 5/8	3 3/8	5 1/4	1 1/4	3/4	1 3/16	9/16	1 1/4	2 5/16	1 1/4	2 3/16	3 7/8	3 3/8	9 13/16	7
SCS 903 P	44	16-19	5/8 - 3/4	3 9/16	6 5/16	1 9/16	7/8	1 3/8	5/8	1 1/2	2 3/4	1 9/16	2 9/16	4 1/2	3 3/4	11 7/16	11
SCS 904 P	61	20-22	7/8	4 3/16	7 1/4	1 3/4	1	1 5/8	3/4	1 3/4	3 3/8	1 3/4	3 1/16	5 1/8	4 5/16	13 1/4	17
SCS 905 P	83	23-26	1	4 1/2	8 5/16	2 3/8	1 3/16	1 15/16	7/8	2	4 1/8	2 1/16	3 7/16	5 9/16	5 1/16	15 3/16	26
SCS 906 P	99	27-29	1 1/8	5 1/2	8 7/16	2 9/16	1 5/16	2 1/4	1	2 1/4	4 1/2	2 5/16	3 3/4	6 1/4	5 9/16	16 9/16	35
SCS 907 P	138	30-32	1 1/4	5 7/8	10 1/4	2 7/8	1 7/16	2 1/2	1 1/8	2 1/2	4 15/16	2 1/2	4 5/16	6 15/16	6 1/8	19	51
SCS 908 P	138	33-36	1 3/8	6 11/16	10 1/4	2 7/8	1 9/16	2 1/2	1 1/8	2 11/16	4 15/16	2 11/16	4 1/2	7 3/4	6 5/16	19 13/16	55
SCS 902 P.SR	28	13-16	1/2 - 5/8	3 3/8	5 1/4	1 1/4	3/4	1 3/16	9/16	1 1/4	2 5/16	1 1/4	2 3/16	3 7/8	3 3/8	9 13/16	7
SCS 903 P.SR	44	16-19	5/8 - 3/4	3 9/16	6 5/16	1 9/16	7/8	1 3/8	5/8	1 1/2	2 3/4	1 9/16	2 9/16	4 1/2	3 3/4	11 7/16	11
SCS 904 P.SR	61	20-22	7/8	4 3/16	7 1/4	1 3/4	1	1 5/8	3/4	1 3/4	3 3/8	1 3/4	3 1/16	5 1/8	4 5/16	13 1/4	17
SCS 905 P.SR	83	23-26	1	4 1/2	8 5/16	2 3/8	1 3/16	1 15/16	7/8	2	4 1/8	2 1/16	3 7/16	5 9/16	5 1/16	15 3/16	26
SCS 906 P.SR	99	27-29	1 1/8	5 1/2	8 7/16	2 9/16	1 5/16	2 1/4	1	2 1/4	4 1/2	2 5/16	3 3/4	6 1/4	5 9/16	16 9/16	35
SCS 907 P.SR	138	30-32	1 1/4	5 7/8	10 1/4	2 7/8	1 7/16	2 1/2	1 1/8	2 1/2	4 15/16	2 1/2	4 5/16	6 15/16	6 1/8	19	51
SCS 908 P.SR	138	33-36	1 3/8	6 11/16	10 1/4	2 7/8	1 9/16	2 1/2	1 1/8	2 11/16	4 15/16	2 11/16	4 1/2	7 3/4	6 5/16	19 13/16	55
SCS 909 P.SR	165	37-39	1 1/2	-	-	-	-	-	-	-	-	-	-	-	-	-	-
SCS 910 P.SR	187	40-42	1 5/8	-	-	-	-	-	-	-	-	-	-	-	-	-	-
SCS 911 P.SR	248	43-48	1 3/4 - 1 7/8	-	-	-	-	-	-	-	-	-	-	-	-	-	-
SCS 912 P.SR	309	49-54	2 - 2 1/8	8 7/8	14 11/16	4 1/4	2 3/8	3 3/4	1 3/4	4	7 5/8	4 1/8	7 5/16	11	9 5/8	27 13/16	205

MBL = Minimum Breaking Load

The standard finish of our sockets is blue. Hot dipped galvanized is also available. All sockets are provided with an EN 10204-2.1 declaration of conformity, EN 10204-3.1 material certificate and can be provided with a 2006/42/EC declaration where applicable.

Super reeve Connector Sockets with bolt and nut

Quenched and tempered cast steel



Model nr.	MBL (UStons)	for wire Ø		Dimensions (inch)													Weight (lbs)
		mm	inch	A	B	C	ØH	ØP	T	W	D	ØD	ØJ	L	TB	TL	
SCS 901 B	22	11-13	7/16 - 1/2	-	-	-	-	-	-	-	-	-	-	-	-	-	-
SCS 902 B	28	13-16	1/2 - 5/8	3 3/8	5 1/4	1 1/4	3/4	1 3/16	9/16	1 1/4	2 5/16	1 1/4	2 3/16	3 7/8	3 3/4	9 13/16	7
SCS 903 B	44	16-19	5/8 - 3/4	3 9/16	6 5/16	1 9/16	7/8	1 3/8	5/8	1 1/2	2 3/4	1 9/16	2 9/16	4 1/2	4 3/16	11 7/16	11
SCS 904 B	61	20-22	7/8	4 3/16	7 1/4	1 3/4	1	1 5/8	3/4	1 3/4	3 1/8	1 3/4	3 1/16	5 1/8	4 13/16	13 1/4	17
SCS 905 B	83	23-26	1	4 1/2	8 5/16	2 3/8	1 3/16	1 15/16	7/8	2	4 1/8	2 1/16	3 7/16	5 9/16	5 7/16	15 3/16	26
SCS 906 B	99	27-29	1 1/8	5 1/2	8 7/16	2 9/16	1 5/16	2 1/4	1	2 1/4	4 1/2	2 5/16	3 3/4	6 1/4	6 5/16	16 9/16	35
SCS 907 B	138	30-32	1 1/4	5 7/8	10 1/4	2 7/8	1 7/16	2 1/2	1 1/8	2 1/2	4 15/16	2 1/2	4 5/16	6 15/16	6 1/2	19	51
SCS 908 B	138	33-36	1 3/8	6 11/16	10 1/4	2 7/8	1 9/16	2 1/2	1 1/8	2 11/16	4 15/16	2 11/16	4 1/2	7 3/4	7 5/16	19 13/16	55
SCS 902 B.SR	28	13-16	1/2 - 5/8	3 3/8	5 1/4	1 1/4	3/4	1 3/16	9/16	1 1/4	2 5/16	1 1/4	2 3/16	3 7/8	3 3/4	9 13/16	7
SCS 903 B.SR	44	16-19	5/8 - 3/4	3 9/16	6 5/16	1 9/16	7/8	1 3/8	5/8	1 1/2	2 3/4	1 9/16	2 9/16	4 1/2	4 3/16	11 7/16	11
SCS 904 B.SR	61	20-22	7/8	4 3/16	7 1/4	1 3/4	1	1 5/8	3/4	1 3/4	3 1/8	1 3/4	3 1/16	5 1/8	4 13/16	13 1/4	17
SCS 905 B.SR	83	23-26	1	4 1/2	8 5/16	2 3/8	1 3/16	1 15/16	7/8	2	4 1/8	2 1/16	3 7/16	5 9/16	5 7/16	15 3/16	26
SCS 906 B.SR	99	27-29	1 1/8	5 1/2	8 7/16	2 9/16	1 5/16	2 1/4	1	2 1/4	4 1/2	2 5/16	3 3/4	6 1/4	6 5/16	16 9/16	35
SCS 907 B.SR	138	30-32	1 1/4	5 7/8	10 1/4	2 7/8	1 7/16	2 1/2	1 1/8	2 1/2	4 15/16	2 1/2	4 5/16	6 15/16	6 1/2	19	51
SCS 908 B.SR	138	33-36	1 3/8	6 11/16	10 1/4	2 7/8	1 9/16	2 1/2	1 1/8	2 11/16	4 15/16	2 11/16	4 1/2	7 3/4	7 5/16	19 13/16	55
SCS 909 B.SR	165	37-39	1 1/2	-	-	-	-	-	-	-	-	-	-	-	-	-	-
SCS 910 B.SR	187	40-42	1 5/8	-	-	-	-	-	-	-	-	-	-	-	-	-	-
SCS 911 B.SR	248	43-48	1 3/4 - 1 7/8	-	-	-	-	-	-	-	-	-	-	-	-	-	-
SCS 912 B.SR	309	49-54	2 - 2 1/8	8 7/8	14 11/16	4 1/4	2 3/8	3 3/4	1 3/4	4	7 5/8	4 1/8	7 5/16	11	10 3/8	27 13/16	205

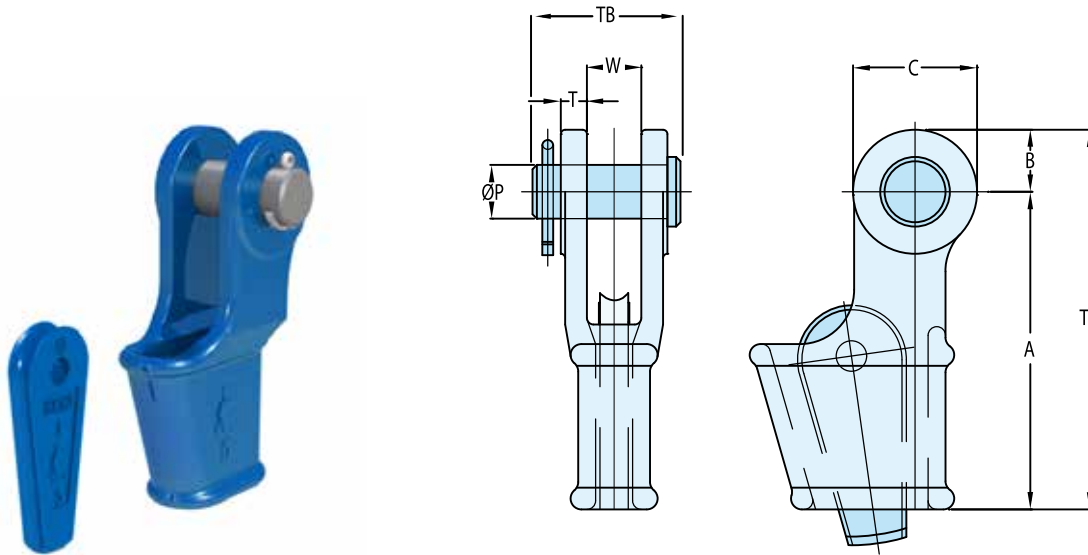
MBL = Minimum Breaking Load

The standard finish of our sockets is blue. Hot dipped galvanized is also available. All sockets are provided with an EN 10204-2.1 declaration of conformity, EN 10204-3.1 material certificate and can be provided with a 2006/42/EC declaration where applicable.



Open Wedge Sockets with pin

Quenched and tempered cast steel



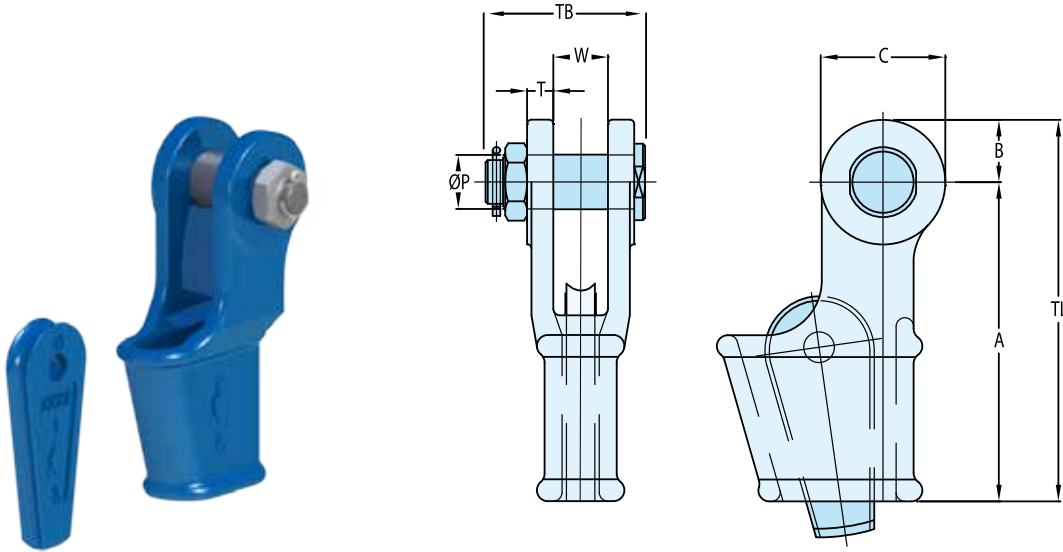
Model nr.	MBL (UStons)	for wire Ø		Dimensions (inch)								Weight (lbs)
		mm	inch	A	B	C	ØP	T	TL	TB	W	
OWS 0.25 P	9	7-8	5/16	4 5/16	3/4	1 7/16	5/8	3/8	5 1/16	2	1 1/16	2
OWS 0.5 P	13	9-10	3/8	5 11/16	7/8	1 13/16	13/16	7/16	6 1/2	2 1/2	1 3/16	4
OWS 1 P	22	11-13	1/2	5 3/4	1 1/8	2 1/4	1	1/2	6 7/8	2 5/8	1	5
OWS 2 P	28	14-16	5/8	6 15/16	1 3/8	2 3/4	1 3/16	9/16	8 5/16	3 3/8	1 1/4	9
OWS 3 P	44	18-19	3/4	8 3/8	1 9/16	3 1/8	1 3/8	5/8	9 13/16	3 3/4	1 1/2	15
OWS 4 P	61	20-22	7/8	9 9/16	1 7/8	3 3/4	1 5/8	3/4	11 4/16	4 5/16	1 3/4	22
OWS 5 P	83	24-26	1	10 13/16	2 3/16	4 5/16	2	7/8	13	5 1/16	2	33
OWS 6 P	99	27-29	1 1/8	12 3/16	2 9/16	5 1/8	2 1/4	1	14 3/4	5 9/16	2 1/4	46
OWS 7 P	121	30-32	1 1/4	13 3/4	2 7/8	5 3/4	2 1/2	1 1/8	16 5/8	6 1/8	2 1/2	68
OWS 8 P	138	34-36	1 3/8	15 3/4	2 15/16	5 13/16	2 1/2	1 1/8	18 11/16	6 5/16	2 3/4	82
OWS 9 P	165	37-39	1 1/2	17 11/16	3 1/8	5 9/16	2 3/4	1 3/16	20 7/8	6 15/16	3 1/16	112
OWS 10 P	187	40-42	1 5/8	19 11/16	3 7/16	6 5/16	3	1 5/16	23 1/8	7 3/8	3	141
OWS 11 P	248	43-48	1 3/4 - 1 7/8	21 5/8	3 15/16	7 5/16	3 1/2	1 9/16	25 9/16	8 7/16	3 1/2	212
OWS 12 P	309	49-52	2	25 3/16	4 1/8	8 1/16	3 3/4	1 13/16	29 5/16	9 5/8	4	287
OWS 13 P	397	54-58	2 1/4	26	4 15/16	9 13/16	4 1/4	2 1/8	30 7/8	10 13/16	4 1/2	397
OWS 14 P	468	60-68	2 1/2	32 7/8	5 5/16	10 5/8	4 3/4	2 3/8	38 3/16	11 13/16	5	606
OWS 15 P	507	72-76	3	39 3/8	5 7/8	11 13/16	5 1/4	3	45 1/4	14	5 3/4	970
OWS 16 P	689	81-86	3 1/4 - 3 3/8	43 5/16	5 14/16	11 13/16	5 1/2	3 1/8	49 3/16	14 13/16	6 1/4	1124

MBL = Minimum Breaking Load

The standard finish of our sockets is blue. Hot dipped galvanized is also available. Socket range OWS 0.25 until OWS 0.5 is delivered with galvanized finish, other finishes are available upon request. All sockets are provided with an EN 10204-2.1 declaration of conformity, EN 10204-3.1 material certificate and can be provided with a 2006/42/EC declaration where applicable. Meets performance requirements of API 2C.

Open Wedge Sockets with bolt and nut

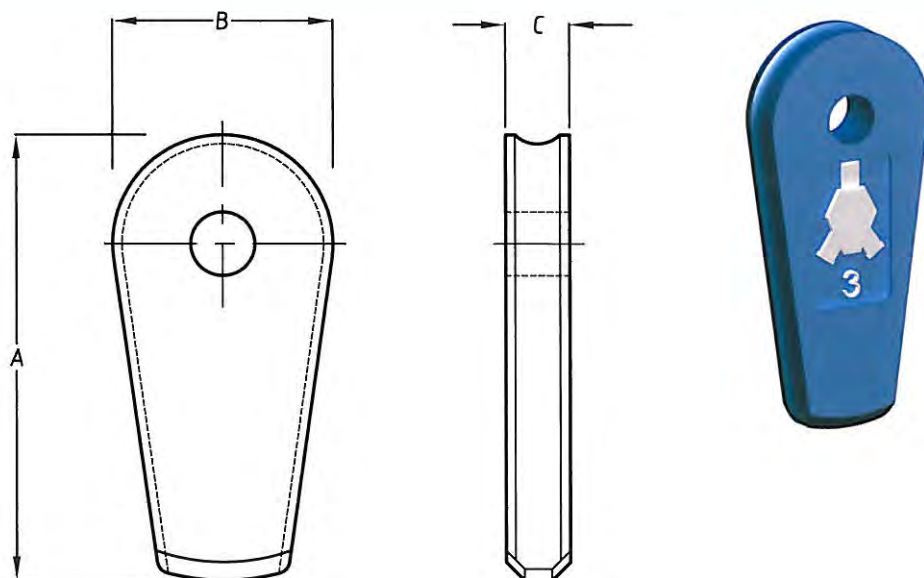
Quenched and tempered cast steel



Model nr.	MBL (UStons)	for wire Ø		Dimensions (inch)								Weight (lbs)
		mm	inch	A	B	C	Ø P	T	TL	TB	W	
OWS 0.25 B	8	7-8	5/16	4 5/16	3/4	1 7/16	5/8	3/8	5 1/16	2 7/16	1 1/16	2
OWS 0.5 B	12	9-10	3/8	5 11/16	7/8	1 13/16	13/16	7/16	6 1/2	2 15/16	1 3/16	4
OWS 1 B	20	11-13	1/2	5 3/4	1 1/8	2 1/4	1	1/2	6 7/8	3 1/8	1	5
OWS 2 B	25	14-16	5/8	6 15/16	1 3/8	2 3/4	1 3/16	9/16	8 5/16	3 3/4	1 1/4	9
OWS 3 B	40	18-19	3/4	8 7/8	1 9/16	3 1/8	1 3/8	5/8	9 13/16	4 3/16	1 1/2	15
OWS 4 B	55	20-22	7/8	9 9/16	1 7/8	3 3/4	1 5/8	3/4	11 4/16	4 13/16	1 3/4	22
OWS 5 B	75	24-26	1	10 13/16	2 3/16	4 5/16	2	7/8	13	5 7/16	2	33
OWS 6 B	90	27-29	1 1/8	12 3/16	2 9/16	5 1/8	2 1/4	1	14 3/4	6 5/16	2 1/4	46
OWS 7 B	110	30-32	1 1/4	13 3/4	2 7/8	5 3/4	2 1/2	1 1/8	16 5/8	6 1/2	2 1/2	68
OWS 8 B	125	34-36	1 3/8	15 3/4	2 15/16	5 13/16	2 1/2	1 1/8	18 11/16	7 5/16	2 3/4	82
OWS 9 B	150	37-39	1 1/2	17 11/16	3 1/8	5 9/16	2 3/4	1 3/16	20 7/8	7 15/16	3 1/16	112
OWS 10 B	170	40-42	1 5/8	19 11/16	3 7/16	6 5/16	3	1 5/16	23 1/8	8 1/4	3	141
OWS 11 B	225	43-48	1 3/4 - 1 7/8	21 5/8	3 15/16	7 5/16	3 1/2	1 9/16	25 9/16	9 5/16	3 1/2	212
OWS 12 B	280	49-52	2	25 3/16	4 1/8	8 1/16	3 3/4	1 13/16	29 5/16	10 3/8	4	287
OWS 13 B	360	54-58	2 1/4	26	4 15/16	9 13/16	4 1/4	2 1/8	30 7/8	11 3/4	4 1/2	397
OWS 14 B	425	60-68	2 1/2	32 7/8	5 5/16	10 5/8	4 3/4	2 3/8	38 3/16	13	5	606
OWS 15 B	460	72-76	3	39 3/8	5 7/8	11 13/16	5 1/4	3	45 1/4	14 15/16	5 3/4	970
OWS 16 B	625	81-86	3 1/4 - 3 3/8	43 5/16	5 15/16	11 13/16	5 1/2	3 1/8	49 3/16	15 5/8	6 1/4	1124

MBL = Minimum Breaking Load

The standard finish of our sockets is blue. Hot dipped galvanized is also available. Socket range OWS 0.25 until OWS 0.5 is delivered with galvanized finish, other finishes are available upon request. All sockets are provided with an EN 10204-2.1 declaration of conformity, EN 10204-3.1 material certificate and can be provided with a 2006/42/EC declaration where applicable. Meets performance requirements of API 2C.

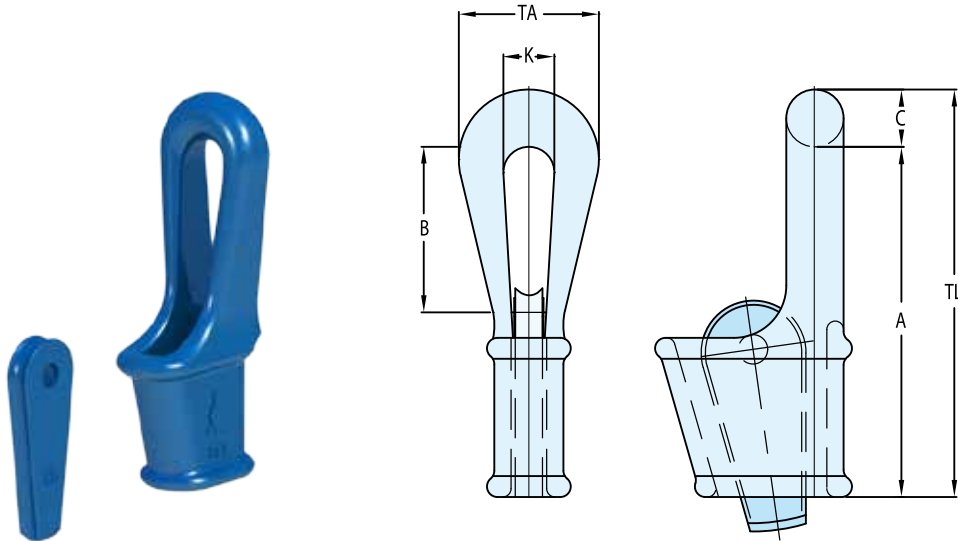


Stock No.	Model No.	Finish	for wire σ		Dimensions (mm)			Weight (kgs)
			(mm)	(inch)	A	B	C	
44.000.25.29	0.25	galvanized	7 - 8	$5/16$	69.5	35	8.5	0.1
44.000.50.29	0.5	galvanized	9 - 10	$3/8$	74	36	12	0.2
44.001.00.29	1	galvanized	11 - 13	$1/2$	98	44	14	0.4
44.002.00.29	2	galvanized	14 - 16	$5/8$	118	51	18	0.7
44.003.00.29	3	galvanized	18 - 19	$3/4$	160	65	21	1.0
44.004.00.29	4	galvanized	20 - 22	$7/8$	187	69	24	1.7
44.005.00.29	5	galvanized	24 - 26	1	212	72	27	2.3
44.006.00.29	6	galvanized	27 - 30	$1\ 1/8$	231	80	30	3.1
44.007.00.29	7	galvanized	32	$1\ 1/4$	266	108	33	4.6
44.008.00.19	8	painted blue	35	$1\ 3/8$	298	116	35	5.9
44.008.00.29	8	galvanized	35	$1\ 3/8$	298	116	35	5.9
44.009.00.19	9	painted blue	37 - 39	$1\ 1/2$	338	130	38	8.1
44.009.00.29	9	galvanized	37 - 39	$1\ 1/2$	338	130	38	8.1
44.010.00.19	10	painted blue	40 - 42	$1\ 5/8$	372	140	41	10.7
44.010.00.29	10	galvanized	40 - 42	$1\ 5/8$	372	140	41	10.7
44.011.00.19	11	painted blue	43 - 48	$1\ 3/4 - 1\ 7/8$	408	146	48	14.5
44.011.00.29	11	galvanized	43 - 48	$1\ 3/4 - 1\ 7/8$	408	146	48	14.5
44.012.00.19	12	painted blue	49 - 52	2	450	149	53	19.6
44.012.00.29	12	galvanized	49 - 52	2	450	149	53	19.6
44.013.00.19	13	painted blue	56	$2\ 1/4$	470	168	58	23.7
44.013.00.29	13	galvanized	56	$2\ 1/4$	470	168	58	23.7
44.014.00.19	14	painted blue	63	$2\ 1/2$	500	176	65	28.8
44.014.00.29	14	galvanized	63	$2\ 1/2$	500	176	65	28.8
44.015.00.19	15	painted blue	76	3	542	244	70	52.4
44.015.00.29	15	galvanized	76	3	542	244	70	52.4
44.016.00.19	16	painted blue	81 - 86	$3\ 1/4 - 3\ 3/8$	670	260	80	65.0
44.016.00.29	16	galvanized	81 - 86	$3\ 1/4 - 3\ 3/8$	670	260	80	65.0



Closed Wedge Sockets

Quenched and tempered cast steel



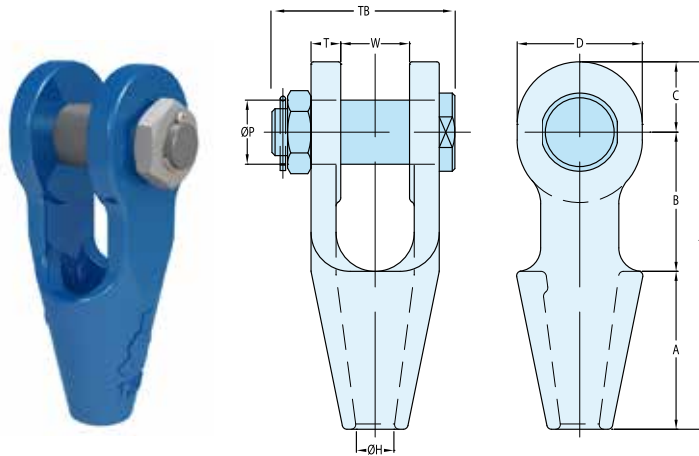
Model nr.	MBL (UStons)	for wire Ø		Dimensions (inch)						Weight (lbs)
		mm	inch	A	B	C	K	TA	TL	
CWS 303	44	18-19	¾	8 1/16	3 15/16	1 5/16	1 9/16	3 9/16	10	15
CWS 304	61	20-22	7/8	8 7/8	4 15/16	1 5/8	1 7/8	4 5/16	10 1/2	20
CWS 305	83	24-26	1	11 7/16	5 1/8	1 15/16	2 3/16	4 15/16	13 3/8	31
CWS 306	99	27-29	1 1/8	12 13/16	5 11/16	2 3/8	2 3/4	6	15 3/16	49
CWS 307	121	30-32	1 1/4	14 3/16	6 5/16	2 11/16	2 15/16	6 1/2	16 7/8	66
CWS 308	138	34-36	1 3/8	15 3/4	7 1/16	2 11/16	2 15/16	6 1/2	18 7/16	84
CWS 309	165	37-39	1 1/2	19 11/16	9 7/16	2 13/16	3 1/8	7 9/16	22 1/2	108
CWS 310	187	40-42	1 5/8	23 5/8	12 3/16	3 1/8	3 9/16	8 1/4	26 3/4	143
CWS 311	248	43-48	1 3/4 - 1 7/8	25 3/16	12 13/16	3 9/16	3 15/16	8 7/8	28 3/4	220
CWS 312	309	49-52	2	28 3/8	14 3/4	3 15/16	4 5/16	9 5/8	32 5/16	331
CWS 313	397	54-58	2 1/4	30 1/2	15 3/4	4 5/16	4 3/4	10 7/16	34 13/16	353
CWS 314	468	61-64	2 1/2	35 7/16	18 1/2	4 15/16	5 1/8	11 13/16	40 3/8	507
CWS 315	507	72-76	3	39 3/8	16 12/16	5 1/8	5 7/8	13	44 1/2	794
CWS 316	689	81-86	3 1/4 - 3 3/8	44 5/16	21 5/8	5 5/16	6 1/2	14 3/16	49 5/8	937

MBL = Minimum Breaking Load

The standard finish of our sockets is blue. Hot dipped galvanized is also available. All sockets are provided with an EN 10204-2.1 declaration of conformity, EN 10204-3.1 material certificate and can be provided with a 2006/42/EC declaration where applicable. Meets performance requirements of API 2C.

Open Spelter Sockets JIS with bolt

Quenched and tempered cast steel



Model nr.	MBL (UStons)	for wire Ø		Dimensions (inch)										Weight (lbs)
		mm	inch	A	B	C	D	ØH	ØP	T	TL	TB	W	
OSS 100-J20-B30	31	20	¾	3 ½	3	1 9/16	2 ¾	1 1/16	1 3/16	5/8	8 1/16	4 3/16	1 ½	6,6
OSS 104-J22-B34	39	22,4	7/8	4	3 ½	1 ¾	3 1/8	1 5/16	1 5/16	¾	9 ¼	4 13/16	1 ¾	9,7
OSS 108-J24-B37	45	24	1	4 ½	4	2 ¾	4 1/8	1 1/8	1 7/16	7/8	10 13/16	5 7/16	2	18
OSS 108-J25-B40	57	25	1	4 ½	4	2 ¾	4 1/8	1 1/8	1 9/16	7/8	10 13/16	5 7/16	2	18
OSS 111-J28-B43	62	28	1 1/8	5	4 ½	2 9/16	4 ½	1 ¼	1 11/16	1	12 1/16	6 5/16	2 ¼	25
OSS 111-J30-B46	76	30	1 1/8	5	4 ½	2 9/16	4 ½	1 ¼	1 13/16	1	12 1/16	6 5/16	2 ¼	25,6
OSS 115-J32-B48	76	31,5	1 ¼ - 1 3/8	5 ½	5	2 13/16	4 15/16	1 ½	1 7/8	1 1/8	13 5/16	6 7/8	2 ½	33
OSS 115-J34-B52	97	33,5	1 ¼ - 1 3/8	5 ½	5	2 13/16	4 15/16	1 ½	2 1/16	1 1/8	13 5/16	6 7/8	2 ½	33,5
OSS 118-J36-B56	104	35,5	1 ½	6	6 3/8	3 1/8	5 9/16	1 5/8	2 3/16	1 3/16	15 ½	7 15/16	3	48,5

MBL = Minimum Breaking Load

The standard finish of our sockets is blue. Hot dipped galvanized is also available. Socket range OSS 196 until OSS 100 is delivered with galvanized finish, other finishes are available upon request. All sockets are provided with an EN 10204-2.1 declaration of conformity, EN 10204-3.1 material certificate and can be provided with a 2006/42/EC declaration where applicable.



Custom socket solutions

The standard range of Ropeblock sockets covers the majority of customer needs for terminating a wire rope. However, in some cases the standard will not do. This is where our engineered solutions can come into place. The possibilities are virtually unlimited and therefore this is merely a snapshot of what can be done:

- Customization in material properties: Stainless steel, polished chrome finish and alternative materials
- Additional features: integrated thrust bearing for swivelling, special interfaces, aesthetic features
- Specific applications: bridge spelter sockets, in pin integrated load cell, increased MBL requirements, etc.

Contact us to explore the endless possibilities

*Subsea swivel socket,
MBL 600 Mtons.*



High quality and safe components for the global lifting- and wire rope industry.





ROPEBLOCK

**High quality and safe components
for the global lifting- and
wire rope industry**



Ropeblock B.V. PO Box 391 | NL-7570 AJ Oldenzaal | The Netherlands
T +31 (0)541 532 300 | F +31 (0)541 536 575 | E sales@ropelock.com

Distributed by:

Copyright © 2016_10

Published by Ropeblock B.V. All rights reserved.

No part of this publication may be reproduced, stored in a retrieval system or transmitted in any form or by any means electronic, mechanical, photocopying, recording or otherwise without the prior written permission of the publisher. Printing and typing errors reserved.

Notice: No responsibility is assumed by the publisher for any injury and/or damage to persons or property as a matter of products liability, negligence, or otherwise, or from any use or operation of any methods, products or ideas obtained in the information herein.