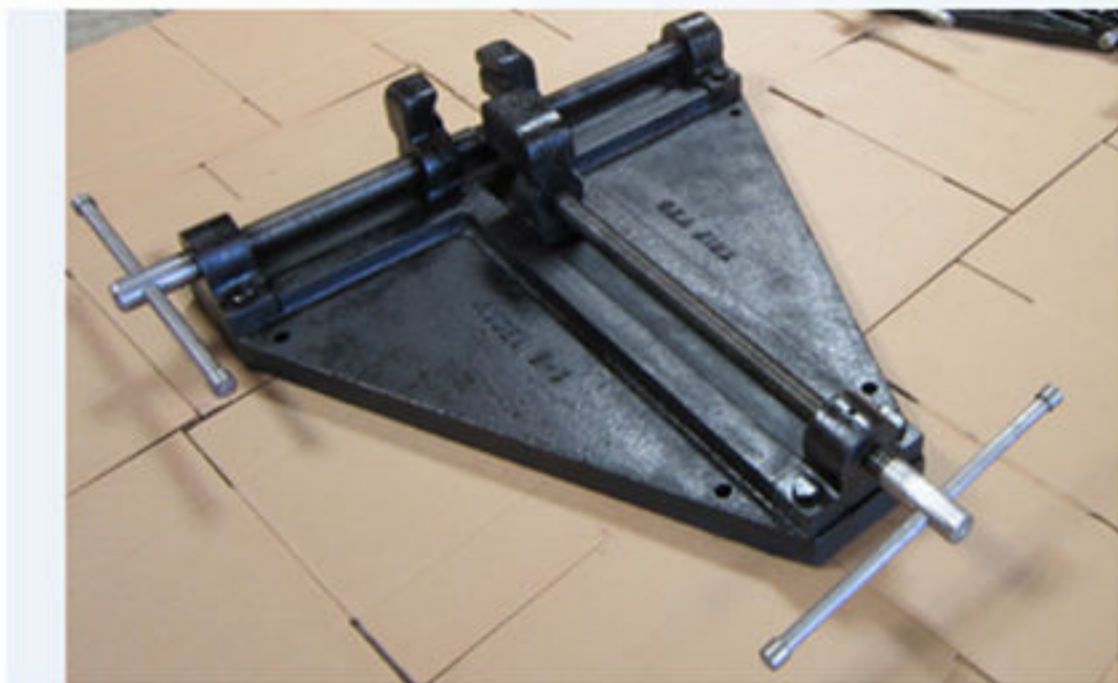


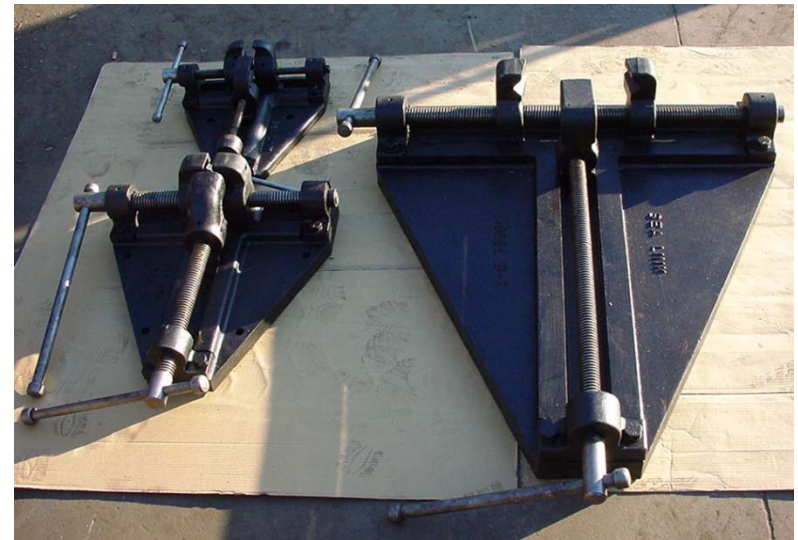
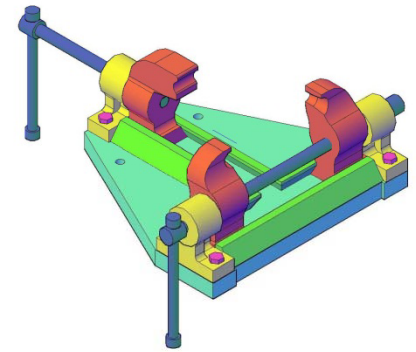
# Rigger's Vises



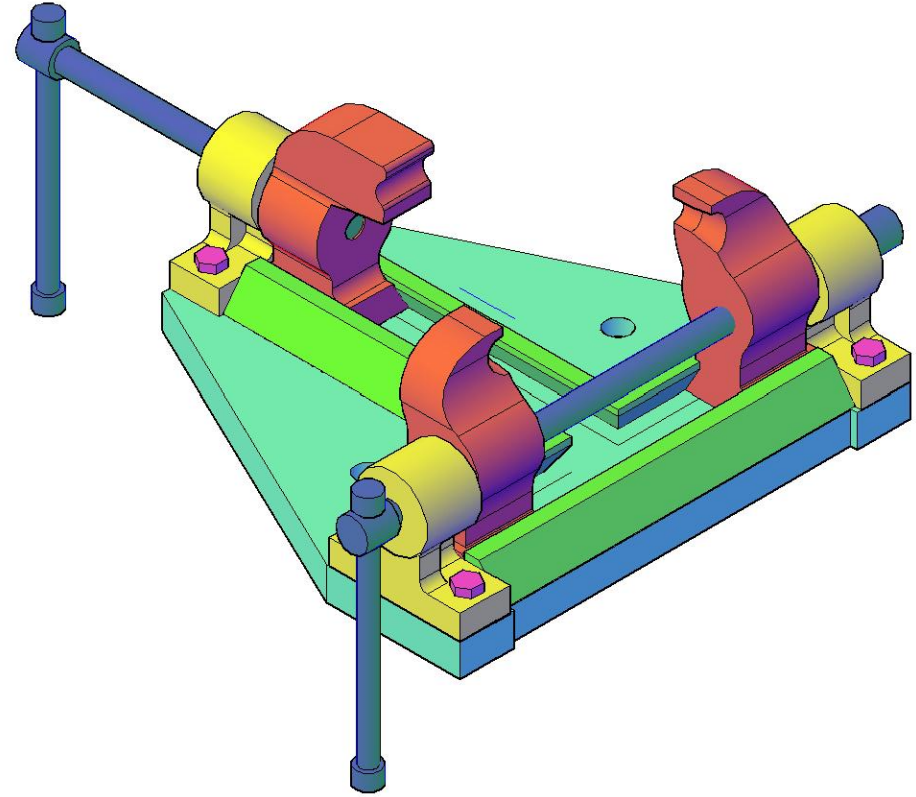
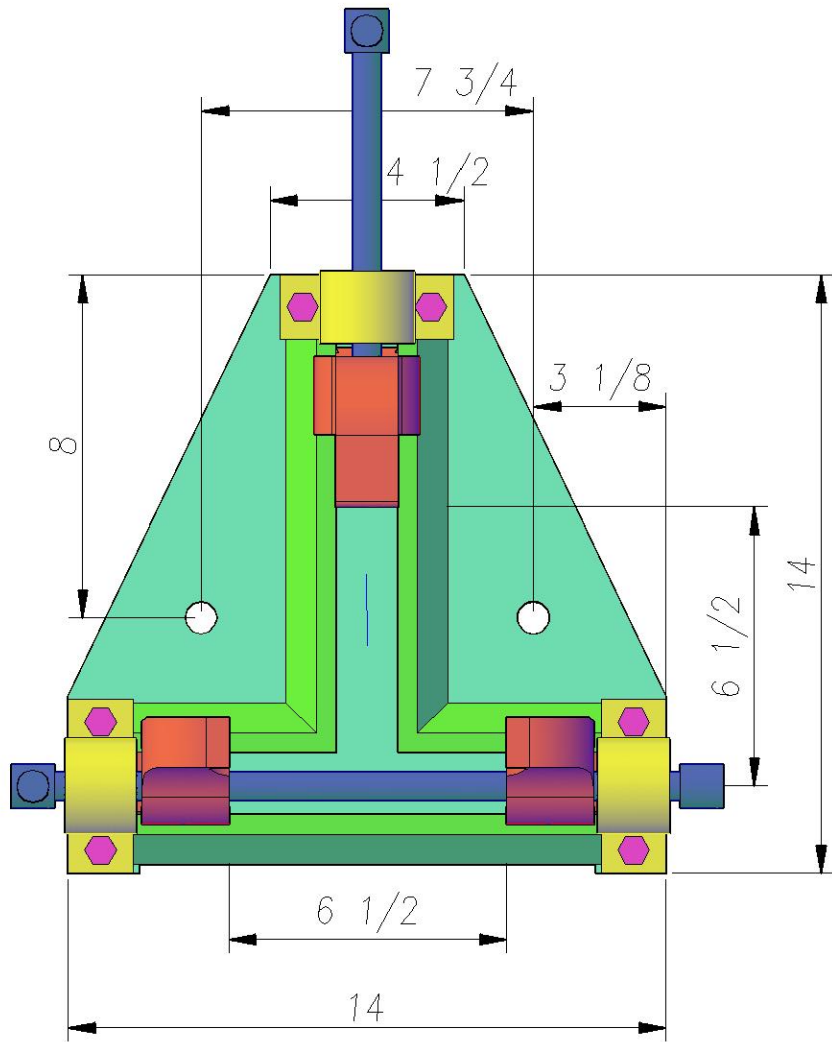


## Sea-Link Riggers Vises

- Available for most wire rope sizes
  - Model SL1 – for 1/8" – 5/8"
  - Model SL2 – for 3/8" – 1-1/2"
  - Model SL3 – for 1-5/8" – 2-1/2"
  - Model SL3E – for 1-5/8" – 3-1/2"



Contact:  
Scott or Bob at:  
[sales@awrrinc.com](mailto:sales@awrrinc.com)  
Tel: 310-448-5444



sales@awrrinc.com Tel:(310)4485444 Fax:(310)4485446  
SALES OFFICE: 8125 Saran Drive, Playa del Rey, CA 90293

SEA-LINK-RIGGERS VISE

|           |                                   |
|-----------|-----------------------------------|
| MODEL     | SL1                               |
| WIRE SIZE | $\frac{1}{8}$ " - $\frac{5}{8}$ " |
| WEIGHT    | 55 LBS.                           |