

GENERAL

Material : Alloy steel  
 Safety factor : 4 times  
 Finish : Painted  
 Temperature range : -40°F up to +392°F, Polar Rated  
 Standard certification : Certificate of Conformity  
 3.1 material certificated EN 10204

SHACKLES

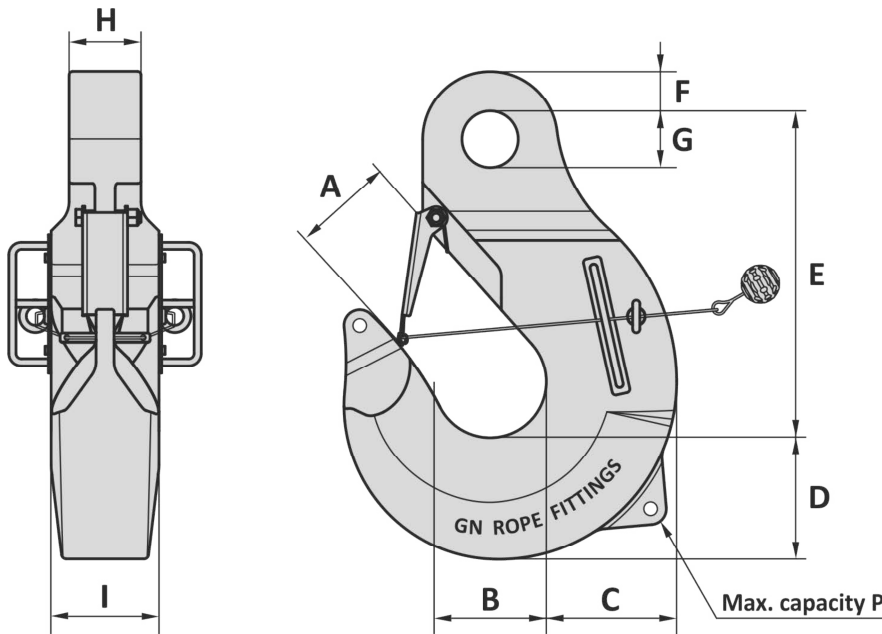
Non-standard sizes or custom products available on request

THIMBLES

SOCKETS

LINKS

SWIVELS



HOOKS

Art. No.	WLL ton	MBL ton	A inch	B inch	C inch	D inch	E inch	F inch	G inch	H inch	I inch	P ton	Weight lbs
73000050	50	200	4 1/16	4 23/32	5 1/2	4 15/16	15 7/16	1 15/16	2 7/8	2 3/8	3 9/16	2	146
73000063	63	252	4 9/32	5 1/8	6 3/16	5 1/2	16 23/32	2 3/32	3 11/32	2 3/4	3 15/16	3.25	198
73000080	80	320	4 11/16	5 1/2	7 3/32	6 3/16	18 3/16	2 3/8	3 3/16	3 5/32	4 23/32	4.75	293
73000100	100	400	5 19/32	6 3/16	7 15/32	6 1/2	20 7/8	2 3/16	4 3/16	3 19/16	5 1/2	4.75	412
73000150	150	600	6 3/16	7 3/32	9 1/16	7 7/8	23 7/32	2 3/4	4 23/32	4 23/32	7 3/32	6.5	692
73000200	200	800	7 3/32	8 1/4	10 1/4	9 1/16	26 11/16	3 1/16	5 5/16	5 23/32	7 7/8	8.5	1030
73000250	250	1000	8 19/32	9 27/32	11 13/32	10 1/4	29 17/32	3 3/16	5 29/32	6 11/16	9 1/16	9.5	1446
73000300	300	1200	10 3/16	11 13/16	12 19/32	11 13/32	34 1/16	3 15/16	6 3/16	7 3/32	10 1/4	12	2017
73000400	400	1600	11 1/32	12 19/32	13 25/32	12 19/32	35 13/16	4 1/8	7 3/32	7 7/8	11 13/16	17	2685
73000500	500	2000	11 7/16	13 3/8	15 11/32	13 3/8	38 23/32	4 3/16	7 17/32	8 27/32	12 19/32	17	3397
73000600	600	2400	11 31/32	13 25/32	16 17/32	14 3/16	40 3/4	4 23/32	8 1/4	9 27/32	13 3/8	25	4151
73000700	700	2800	12 15/32	14 3/16	17 23/32	15 11/32	41 3/4	4 15/16	8 15/32	11 1/32	14 31/32	25	5049
73000800	800	3200	12 7/8	14 31/32	19 11/16	17 3/16	46 3/16	5 1/2	9 1/16	11 13/16	15 3/4	25	6601
73000900	900	3600	13 3/16	15 3/4	20 15/32	18 1/8	49 3/8	5 29/32	10 1/4	12 19/32	16 17/32	35	7859
73001000	1000	4000	13 29/32	16 17/32	22 1/16	18 29/32	52 3/4	6 3/16	11 1/32	13 3/8	17 3/16	35	9370
73001250	1250	5000	14 3/8	17 23/32	23 5/8	20 7/8	55 23/32	7 3/32	12 3/16	14 3/16	18 29/32	42.5	12125
73001550	1550	6200	15 1/2	18 29/32	26	23 7/32	59 1/4	8 1/16	13	14 3/16	21 1/4	42.5	15432

Tolerance: Machined parts ± 1/32 inch

10-07-2017

MOORING

OTHERS