

SEALINK.

Quality Rigging Products

Hawser Thimbles Galvanized Cast Steel



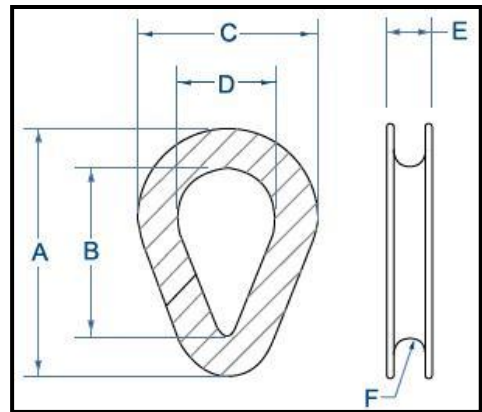
8125 Saran Dr. • Playa del Rey, CA 90293 • Phone: 310.448.5444 • Fax: 310.448.5446
sales@awrrinc.com • www.AssociatedWireRope.com





Hawser Thimbles

Galvanized Cast Steel



Sea-Link								
Galvanized Hawser Thimbles - Cast Steel								
Part #	Rope Diam. (in.)	Dimensions (in.)						Weight Each (lbs.)
		A	B	C	D	E	F	
SLHT - 1	5/8 - 3/4	6-7/8	4-1/2	5	3	1-3/16	13/32	3.5
SLHT - 2	7/8 - 1	8-5/8	5-3/4	6-1/4	3-3/4	1-7/16	17/32	6.0
SLHT - 3	1-1/8 - 1-1/4	10-1/8	6-3/4	7-1/4	4-1/4	1-11/16	21/32	9.5
SLHT - 4	1-3/8 - 1-1/2	12-1/8	8	8-3/4	5	2-3/16	25/32	18.5
SLHT - 5	1-5/8 - 1-3/4	12-3/4	8	9-1/4	5	2-7/16	15/16	24.0
SLHT - 6	1-7/8 - 2	14-3/4	9-1/2	10-3/4	6	2-11/16	1-1/16	33.5
SLHT - 7	2-1/8 - 2-1/4	17-1/8	11	12-1/2	7	3-1/8	1-3/16	53.5
SLHT - 8	2-3/8 - 2-1/2	19-1/4	12-3/4	14-1/4	8-1/4	3-7/8	1-3/8	81.5
SLHT - 9	2-3/4 - 3	24-1/2	15	17	9-3/8	4-15/16	1-5/8	136
SLHT - 10	3-1/4 - 3-1/2	30	19-1/2	20	11-1/2	5-1/2	1-7/8	216