

GENERAL

Material : Cast steel  
 Safety factor : 5 times  
 Standards : Generally according to US Federal Spec RR-5-550D, type C  
 Finish : Painted/Galvanized  
           ≤ Type No. 215 standard galvanized  
 Temperature range : -40°F up to +392°F, Polar Rated  
 Standard certification : Certificate of Conformity  
                                   3.1 material certificate EN 10204

*These sockets included our non-rotating system (NRS-system) which prevents the tamp for turning or slipping out of the cone and guarantee a high performance connection.*

SHACKLES

THIMBLES

SOCKETS

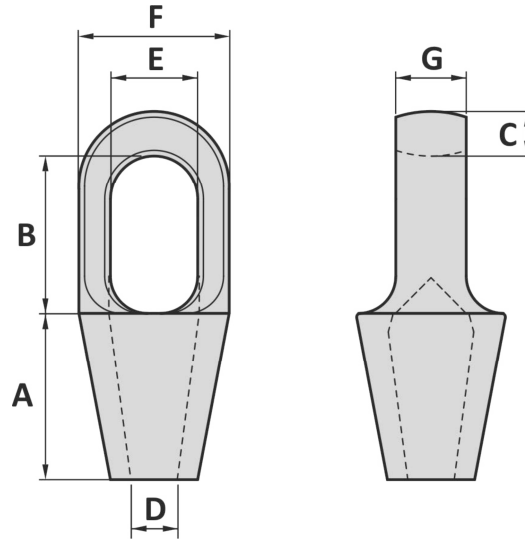
LINKS

SWIVELS

HOOKS

MOORING

OTHERS



~ specification: 1 = Painted, 9 = Galvanized

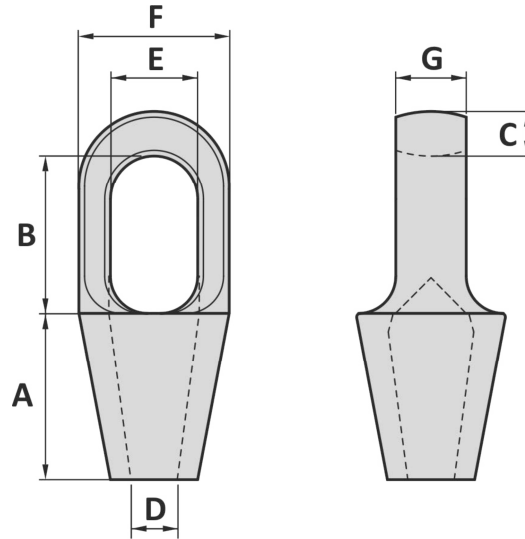
Art. No.	Type No.	Wire dia mm	Wire dia inch	WLL ton	MBL ton	A inch	B inch	C inch	D inch	E inch	F inch	G inch	Packing pcs	Weight lbs
47008079	290	6 - 7	¼	1.6	8	2 ⅛	1 ⅞	⅜	⅝	2 ⅝	1 ⅜	½	10	0.6
47008109	292	8 - 10	⅜	2.4	12	2 ⅝	2 ⅝	⅜	⅞	1 ⅞	1 ⅞	⅝	10	0.97
47008139	294	11 - 13	½	4	20	2 ½	2 ⅞	2 ⅝	⅞	1 ⅞	2	⅞	10	1.6
47008169	296	14 - 16	⅝	6	30	3 ⅝	2 ⅞	1 ⅞	2 ⅝	1 ⅞	2 ⅞	1	10	3.1
47008199	298	18 - 19	¾	8	40	3 ⅞	2 ⅞	1 ⅞	1 ⅞	1 ⅞	2 ⅞	1 ⅞	10	4.6
4700201~	201	20 - 22	⅝	12	60	3 ⅝	3 ⅞	1 ⅞	1 ⅞	1 ⅞	3 ⅞	1 ½	4	8.8
4700204~	204	23 - 26	1	15	75	4 ½	4 ⅞	1 ⅞	1 ⅞	2 ¼	4 ⅞	1 ⅞	4	13
4700207~	207	27 - 30	1 ⅞	20	100	5	4 ⅞	1 ⅞	1 ¼	2 ⅞	4 ½	2	4	17
4700212~	212	31 - 36	1 ¼ - 1 ⅜	25	125	5 ⅞	5 ⅞	1 ¼	1 ½	2 ¾	5 ⅞	2 ⅞	2	24
4700215~	215	37 - 39	1 ½	30	150	6	6 ⅝	2	1 ⅞	3 ⅞	5 ⅞	2 ½	2	31
4700217~	217	40 - 42	1 ⅞	36	180	6 ½	6 ¾	2 ½	1 ¾	3 ⅞	5 ¾	2 ¾	2	40
4700219~	219	43 - 48	1 ¼ - 1 ⅞	46	230	7 ⅞	7 ⅞	2 ⅞	2	3 ½	6 ¾	3 ⅞		62
4700222~	222	49 - 54	2 - 2 ⅞	56	280	8 ½	8 ⅞	2 ⅞	2 ¼	3 ⅞	7 ⅞	3 ⅞		88
4700224~	224	55 - 60	2 ¼ - 2 ⅞	75	375	8 ⅞	9 ⅞	2 ⅞	2 ⅞	4 ⅞	8 ½	3 ⅞		115
4700226~	226	61 - 68	2 ½ - 2 ⅞	85	425	9 ¾	10 ⅞	3 ⅞	2 ⅞	5 ½	9 ½	4		139
4700227~	227	69 - 75	2 ⅞ - 2 ⅞	100	500	11	11 ¼	3 ⅞	3 ⅞	6 ¼	10 ¾	4 ⅞		196
4700228~	228	76 - 80	3 - 3 ⅞	120	600	12	11 ¾	3 ¼	3 ⅞	6 ¾	11 ½	5 ¼		245
4700229~	229	81 - 86	3 ¼ - 3 ⅞	140	700	13	12 ¼	4	3 ⅞	7 ¼	12 ¼	5 ¼		315
4700230~	230	87 - 93	3 ½ - 3 ⅞	150	750	14	13	4	3 ⅞	7 ¾	13	6 ¼		366
4700231~	231	94 - 102	3 ¾ - 4	190	950	15	14	4 ¼	4 ¼	8 ½	14 ¼	7		478
4700233~	233	108 - 115	4 ¼	240	1200	18 ⅞	16 ¾	4 ⅞	4 ⅞	9 ¼	15 ⅞	7 ⅞		745
4700240~	240	122 - 130	5	280	1400	19 ⅞	18 ⅞	5 ½	5 ⅞	10 ⅞	20 ⅞	8 ¼		1276
4700250~	250	140 - 155	5 ½ - 6	400	2000	22 ⅞	21 ⅞	5 ⅞	6 ⅞	11 ⅞	20 ⅞	9 ⅞		1442
4700260~	260	158 - 167	6 ½	500	2500	26 ⅞	23 ⅞	6 ⅞	6 ⅞	12 ⅞	23 ⅞	11 ⅞		2344

Tolerance: ± 5%, machined parts ± ⅞ inch

08-12-2017

Material : Cast steel  
 Safety factor : 5 times  
 Standards : Generally according to US Federal Spec RR-5-550D, type C  
 Finish : Painted/Galvanized  
           ≤ Type No. 215 standard galvanized  
 Temperature range : -40°C up to +200°C, Polar Rated  
 Standard certification : Certificate of Conformity  
                               3.1 material certificate EN 10204

*These sockets included our non-rotating system (NRS-system) which prevents the tamp for turning or slipping out of the cone and guarantee a high performance connection.*



~ specification: 1 = Painted, 9 = Galvanized

Art. No.	Type No.	Wire dia mm	Wire dia inch	WLL ton	MBL ton	A mm	B mm	C mm	D mm	E mm	F mm	G mm	Packing pcs	Weight kg
47008079	290	6 - 7	¼	1.6	8	52	46	11	8	20	37	13	10	0.27
47008109	292	8 - 10	⅜	2.4	12	58	53	14	11	24	43	16	10	0.44
47008139	294	11 - 13	½	4	20	64	59	18	14	29	51	22	10	0.74
47008169	296	14 - 16	⅝	6	30	77	65	21	18	35	67	25	10	1.4
47008199	298	18 - 19	¾	8	40	90	75	26	21	42	75	31	10	2.1
4700201~	201	20 - 22	⅝	12	60	101	90	33	24	47	92	38	4	4
4700204~	204	23 - 26	1	15	75	114	103	36	28	57	106	45	4	5.9
4700207~	207	27 - 30	1 ¼	20	100	127	116	39	32	63	114	51	4	7.7
4700212~	212	31 - 36	1 ¼ - 1 ½	25	125	139	130	44	38	70	128	58	2	11
4700215~	215	37 - 39	1 ½	30	150	152	155	51	41	79	137	64	2	14
4700217~	217	40 - 42	1 ½	36	180	165	171	54	44	82	146	70		18
4700219~	219	43 - 48	1 ¾ - 1 ½	46	230	190	198	55	51	89	171	77		28
4700222~	222	49 - 54	2 - 2 ¼	56	280	216	224	62	57	98	194	84		40
4700224~	224	55 - 60	2 ¼ - 2 ½	75	375	228	247	73	65	110	216	94		52
4700226~	226	61 - 68	2 ½ - 2 ¾	85	425	248	270	80	73	140	241	102		63
4700227~	227	69 - 75	2 ¾ - 2 ¾	100	500	279	286	79	79	159	273	124		89
4700228~	228	76 - 80	3 - 3 ¼	120	600	305	298	83	86	171	292	133		111
4700229~	229	81 - 86	3 ¼ - 3 ¾	140	700	330	311	102	92	184	311	146		143
4700230~	230	87 - 93	3 ½ - 3 ¾	150	750	356	330	102	99	197	330	159		166
4700231~	231	94 - 102	3 ¾ - 4	190	950	381	356	108	108	216	362	178		217
4700233~	233	108 - 115	4 ½	240	1200	460	425	120	125	235	405	190		338
4700240~	240	122 - 130	5	280	1400	500	475	140	138	270	515	210		579
4700250~	250	140 - 155	5 ½ - 6	400	2000	580	550	150	160	300	510	250		654
4700260~	260	158 - 167	6 ½	500	2500	675	600	175	175	325	600	300		1063

Tolerance: ± 5%, machined parts ± 1 mm

08-12-2017

GENERAL

SHACKLES

THIMBLES

SOCKETS

LINKS

SWIVELS

HOOKS

MOORING

OTHERS

GENERAL

Material : Cast steel  
 Safety factor : 5 times  
 Standards : Generally according to US Federal Spec RR-5-550D, type A  
 Finish : Painted/Galvanized  
           ≤ Type No. 115 standard galvanized  
 Temperature range : -40°F up to +392°F, Polar Rated  
 Standard certification : Certificate of Conformity  
                                   3.1 material certificate EN 10204

*These sockets included our non-rotating system (NRS-system) which prevents the tamp for turning or slipping out of the cone and guarantee a high performance connection.*

SHACKLES

THIMBLES

**SOCKETS**

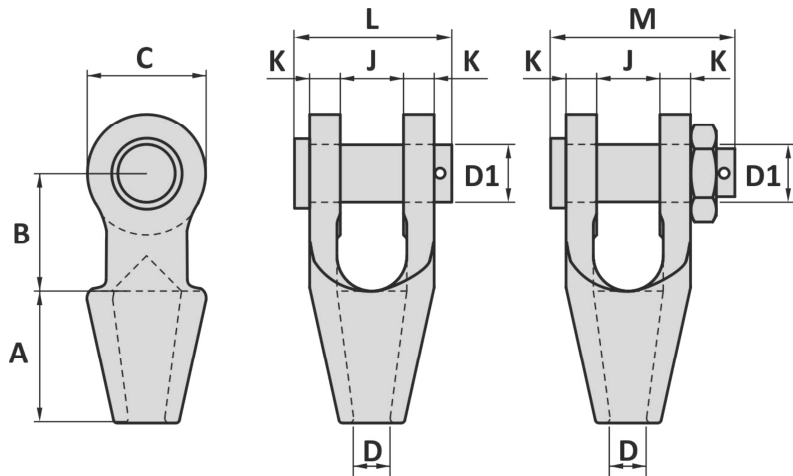
LINKS

SWIVELS

HOOKS

MOORING

OTHERS



~ specification: 1 = Painted, 9 = Galvanized

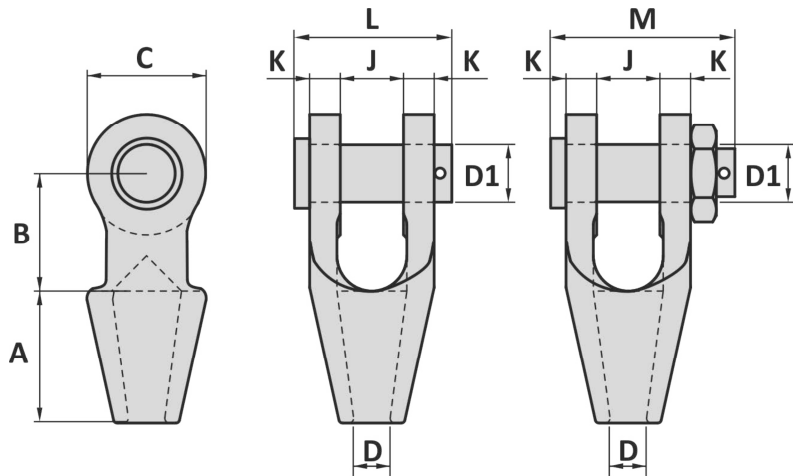
Art. No.	Art. No.	Type	Wire dia	Wire dia	WLL	MBL	A	B	C	D	D1	J	K	L	M	Packing	Weight
Standard	Safety pin	No.	mm	inch	ton	ton	inch	inch	inch	inch	inch	inch	inch	inch	inch	pcs	lbs
	47907089	192	6 - 7	¼	1.6	8	2 ¼	1 ⅞	1 1½	⅝	2⅜	1⅞	⅝		2 1½	10	0.97
	47907109	194	8 - 10	⅜	2.4	12	2 ⅝	1 2½	1 ⅞	⅞	1⅞	2⅜	⅞		2 2⅞	10	1.8
	47907139	196	11 - 13	½	4	20	2 ½	2	1 1⅞	⅞	1 ½	1	1 ½		3 1½	10	2.9
	47907169	198	14 - 16	⅝	6	30	3 ½	2 ½	2 ⅞	2⅜	1 ⅞	1 ¼	⅞		3 1⅞	10	5.1
4700100~	4790100~	100	17 - 19	¾	8	40	3 ½	3	3 1⅞	1⅞	1 ⅞	1 ½	⅝	3 3½	4 ⅝	10	7.1
4700104~	4790104~	104	20 - 22	⅞	12	60	3 3½	3 ½	3 ⅞	1⅞	1 ⅞	1 ¼	¾	4 ⅞	4 ⅞	4	12
4700108~	4790108~	108	23 - 26	1	15	75	4 ½	4	4 ½	1 ¾	2	2	⅞	5 ⅞	5 1⅞	4	21
4700111~	4790111~	111	27 - 30	1 ⅞	20	100	5	4 ½	4 ⅞	1 ½	2 ¼	2 ¼	1	5 1⅞	6 ⅞	4	26
4700115~	4790115~	115	31 - 36	1 ¼ - 1 ⅜	25	125	5 1½	5	5 ⅞	1 ½	2 1½	2 1½	1 ⅞	6 1½	7 ¼	2	35
4700118~	4790118~	118	37 - 39	1 ½	30	150	6	6 ⅞	6	1 ⅞	2 ¼	3	1 ⅞	7	7 1⅞	2	53
4700120~	4790120~	120	40 - 42	1 ⅞	36	180	6 ½	6 ½	6 ⅞	1 ¾	3	3	1 ⅞	7 ⅞	8 ½	2	64
4700125~	4790125~	125	43 - 48	1 ¾ - 1 ⅞	46	230	7 ½	7	7 1½	2	3 ½	3 ½	1 ⅞	8 1½	9 1½		99
4700128~	4790128~	128	49 - 54	2 - 2 ⅞	56	280	8 ½	9	8 ⅞	2 ¼	3 ¾	3 3½	1 ⅞	9 ⅞	10 1⅞		143
4700130~	4790130~	130	55 - 60	2 ¼ - 2 ⅞	75	375	9	10	8 ⅞	2 1½	4 ¼	4 ⅞	2 ⅞	10 ⅞	11 2⅞		194
4700132~	4790132~	132	61 - 68	2 ½ - 2 ⅞	85	425	9 ¾	10 ¾	9 ⅞	2 ⅞	4 ¾	5	2 ⅞	11 1⅞	13 ¾		276
4700135~	4790135~	135	69 - 75	2 ⅞ - 2 ⅞	100	500	11	11	10 1½	3 ⅞	5	5 ¼	2 ⅞	13 ¾	14 ⅞		357
4700138~	4790138~	138	76 - 80	3 - 3 ⅞	120	600	12	11 ¼	10 2½	3 ⅞	5 ¼	5 ¾	3	13 1⅞	15 ¾		430
4700140~	4790140~	140	81 - 86	3 ⅞ - 3 ⅞	140	700	13	11 ¼	11 ¼	3 ⅞	5 ½	6 ¼	3 ⅞	14 1⅞	16 ⅞		494
4700142~	4790142~	142	87 - 93	3 ⅞ - 3 ⅞	150	750	14	12 ½	12 ¾	3 2⅞	6	6 ¾	3 ⅞	15 1½	17		617
4700144~	4790144~	144	94 - 102	3 ¾ - 4	190	950	15	13 ½	13 ½	4 ¼	7	7 ½	3 ⅞	16 ¾	18 ¼		833
4700146~	4790146~	146	108 - 115	4 ⅞	240	1200	18 ⅞	19	16 1⅞	4 1⅞	7 1½	8 ⅞	3 ⅞	18 ⅞	20 1⅞		1243
4700150~	4790150~	150	122 - 130	5	280	1400	19 1⅞	19 1⅞	21 2½	5 ⅞	9 2⅞	8 ¼	4 2⅞	20 ⅞	22 1⅞		2033
4700160~	4790160~	160	140 - 155	5 ½ - 6	400	2000	22 2⅞	19 1⅞	23 ⅞	6 ⅞	10 1⅞	9 1⅞	5 ½	22 2⅞	24 1½		2855
4700170~	4790170~	170	158 - 167	6 ½	500	2500	26 ⅞	23 ⅞	25 ¾	6 ⅞	11 1½	12 ¾	6 ⅞	26 ⅞	27 1⅞		4300

Tolerance: ± 5%, machined parts ± ½ inch

08-12-2017

Material : Cast steel  
 Safety factor : 5 times  
 Standards : Generally according to US Federal Spec RR-5-550D, type A  
 Finish : Painted/Galvanized  
           ≤ Type No. 115 standard galvanized  
 Temperature range : -40°C up to +200°C, Polar Rated  
 Standard certification : Certificate of Conformity  
                                   3.1 material certificate EN 10204

*These sockets included our non-rotating system (NRS-system) which prevents the tamp for turning or slipping out of the cone and guarantee a high performance connection.*



~ specification: 1 = Painted, 9 = Galvanized

Art. No. Standard	Art. No. Safety pin	Type No.	Wire dia mm	Wire dia inch	WLL ton	MBL ton	A mm	B mm	C mm	D mm	D1 mm	J mm	K mm	L mm	M mm	Packing pcs	Weight kg
47907089	192	192	6 - 7	¼	1.6	8	52	40	34	8	18	17	8		63	10	0.44
47907109	194	194	8 - 10	⅜	2.4	12	58	45	40	11	21	20	11		74	10	0.81
47907139	196	196	11 - 13	½	4	20	64	51	49	14	26	25	12		85	10	1.3
47907169	198	198	14 - 16	⅝	6	30	77	64	62	18	30	32	14		100	10	2.3
4700100~	4790100~	100	17 - 19	¾	8	40	89	76	100	21	35	38	16	101	110	10	3.2
4700104~	4790104~	104	20 - 22	⅞	12	60	101	89	86	24	41	44	19	113	105	4	5.4
4700108~	4790108~	108	23 - 26	1	15	75	114	101	114	28	51	51	22	130	148	4	9.6
4700111~	4790111~	111	27 - 30	1 ¼	20	100	127	114	124	32	57	57	25	144	160	4	12
4700115~	4790115~	115	31 - 36	1 ½ - 1 ⅝	25	125	139	127	135	38	63	63	28	161	184	2	16
4700118~	4790118~	118	37 - 39	1 ½	30	150	152	162	152	41	70	76	30	178	198	2	24
4700120~	4790120~	120	40 - 42	1 ⅝	36	180	165	165	168	44	76	76	33	184	204	2	29
4700125~	4790125~	125	43 - 48	1 ¾ - 1 ⅞	46	230	191	178	190	51	89	89	39	218	245		45
4700128~	4790128~	128	49 - 54	2 - 2 ⅝	56	280	216	229	206	57	95	101	46	244	271		65
4700130~	4790130~	130	55 - 60	2 ¼ - 2 ⅝	75	375	229	254	225	63	108	113	53	270	301		88
4700132~	4790132~	132	61 - 68	2 ½ - 2 ⅞	85	425	248	273	251	73	121	127	60	303	335		125
4700135~	4790135~	135	69 - 75	2 ¾ - 2 ⅞	100	500	279	279	266	79	127	133	73	335	367		162
4700138~	4790138~	138	76 - 80	3 - 3 ⅝	120	600	305	286	274	86	133	146	76	354	386		195
4700140~	4790140~	140	81 - 86	3 ¼ - 3 ⅝	140	700	330	298	286	92	140	159	79	373	412		224
4700142~	4790142~	142	87 - 93	3 ½ - 3 ⅞	150	750	356	318	310	99	152	171	83	393	432		280
4700144~	4790144~	144	94 - 102	3 ¾ - 4	190	950	381	343	352	108	178	191	89	425	464		378
4700146~	4790146~	146	108 - 115	4 ½	240	1200	460	480	430	125	190	208	101	467	510		564
4700150~	4790150~	150	122 - 130	5	280	1400	500	500	550	138	250	210	120	515	560		922
4700160~	4790160~	160	140 - 155	5 ½ - 6	400	2000	580	500	590	160	275	230	140	580	620		1295
4700170~	4790170~	170	158 - 167	6 ½	500	2500	675	600	640	175	290	310	175	670	710		1950

Tolerance: ± 5%, machined parts ± 1 mm

08-12-2017