

GENERAL

Material : Cast steel
 Finish : Self colored
 Temperature range : -20°C up to +200°C
 Standard certification : Certificate of Conformity

Suitable for wire rope
 Special holes for fittings or holes with (bronze) bushes on request

SHACKLES

THIMBLES

SOCKETS

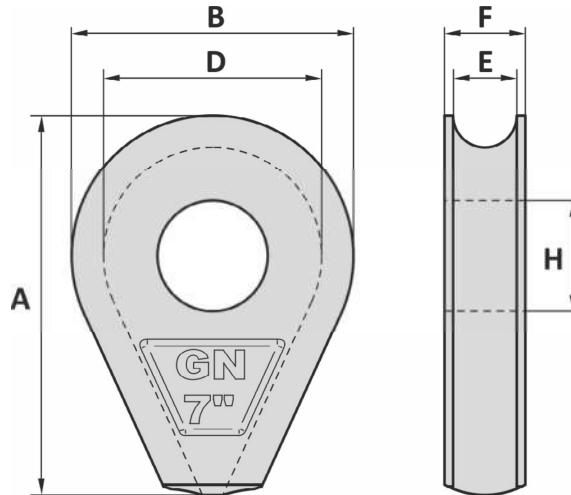
LINKS

SWIVELS

HOOKS

MOORING

OTHERS



For the correct article number fill in the hole diameter in mm on the grey and underscored numbers

Art. No.	Size inch	Rope size mm	A mm	B mm	D mm	E mm	F mm	H mm	H max mm	Weight kg
16020000	2	7 - 8	66	40	31	9	15	14	20	0.16
16027500	2 ½	9 - 10	82	50	38	11	18	18	25	0.29
16030000	3	11 - 12	98	60	45	13	20	21	30	0.46
16035000	3 ½	13 - 15	114	70	53	16	24	25	35	0.72
16040 <u>400</u>	4	16 - 18	110	75	58	19	26	30 / 38 / 40	45	0.79
16050 <u>450</u>	5	19 - 22	130	92	65	23	30	30 / 40 / 45	50	1.3
16060 <u>550</u>	6	23 - 25	150	110	82	26	33	30 / 40 / 45 / 55	60	2.1
16070 <u>600</u>	7	26 - 30	180	127	96	32	40	30 / 40 / 52 / 60	70	3.6
16080 <u>700</u>	8	31 - 34	200	140	100	35	43	30 / 42 / 55 / 70	80	4.4
16090 <u>100</u>	9	35 - 38	225	160	122	39	47	50 / 70 / 90 / 100	100	6.2
16100 <u>100</u>	10	39 - 42	250	170	127	43	57	50 / 70 / 90 / 100	105	9.1
16120 <u>105</u>	12	43 - 49	305	210	160	54	69	60 / 80 / 105	120	17
16140 <u>110</u>	14	50 - 57	355	240	181	61	80	75 / 110	140	26
16170 <u>122</u>	17	58 - 65	431	290	230	68	92	85 / 122	160	46
16230 <u>130</u>	24	66 - 76	597	387	310	88	114	130	200	101

Tolerance: ± 5%

Art. No.	Size inch	Rope size inch	A inch	B inch	D inch	E inch	F inch	H inch	H max inch	Weight lbs
16020000	2	¼	2 19/32	1 9/16	1 7/32	1 1/8	19/32	9/16	25/32	0.35
16027500	2 ½	¾	3 7/32	1 31/32	1 ½	7/16	23/32	23/32	1	0.64
16030000	3	1	3 7/8	2 ¾	1 27/32	½	25/32	13/16	1 7/16	1.0
16035000	3 ½	1 1/8	4 1/2	2 ¾	2 3/32	5/8	15/16	1	1 ¾	1.6
16040 <u>400</u>	4	1 1/4	4 5/16	2 15/16	2 3/32	¾	1 1/32	1 3/16 / 1 1/2 / 1 9/16	1 23/32	1.7
16050 <u>450</u>	5	1 3/8	5 1/8	3 5/8	2 9/16	23/32	1 3/16	1 3/16 / 1 9/16 / 1 25/32	1 31/32	2.9
16060 <u>550</u>	6	1 5/8	5 29/32	4 3/16	3 7/32	1 1/32	1 1/16	1 3/16 / 1 9/16 / 1 25/32 / 2 23/32	2 3/8	4.6
16070 <u>600</u>	7	1 7/8 - 1 1/2	7 3/32	5	3 27/32	1 ¼	1 1/16	1 3/16 / 1 9/16 / 2 1/16 / 2 3/8	2 ¾	7.9
16080 <u>700</u>	8	1 7/8 - 1 5/8	7 7/8	5 ½	3 15/16	1 3/8	1 1/16	1 3/16 / 1 21/32 / 2 5/32 / 2 ¾	3 5/32	9.7
16090 <u>100</u>	9	1 7/8 - 1 1/2	8 7/8	6 3/16	4 19/16	1 17/32	1 27/32	1 31/32 / 2 ¾ / 3 1/16 / 3 15/16	3 15/16	14
16100 <u>100</u>	10	1 7/8 - 1 3/4	9 27/32	6 11/16	5	1 11/16	2 ¼	1 31/32 / 2 ¾ / 3 15/32 / 3 15/16	4 1/8	20
16120 <u>105</u>	12	1 ½ - 2	12	8 ¼	6 9/16	2 1/8	2 23/32	2 3/8 / 3 3/32 / 4 1/8	4 23/32	37
16140 <u>110</u>	14	2 - 2 ¼	13 31/32	9 7/16	7 7/8	2 13/32	3 3/32	2 15/16 / 4 3/16	5 ½	57
16170 <u>122</u>	17	2 ¼ - 2 ½	16 31/32	11 13/32	9 1/16	2 11/16	3 5/8	3 11/32 / 4 13/16	6 5/16	101
16230 <u>130</u>	24	2 ½ - 3	23 ½	15 ¼	12 3/16	3 15/32	4 ½	5 7/8	7 7/8	223

Tolerance: ± 5%

10-06-2014