

Overhaul Balls

The weight of the overhaul balls in this segment are based on average boom lengths and efficiency loss in mobile and crawler cranes. The low friction and easy to access hook swivel design makes the OHB series an excellent choice for a wide variety of crane applications.

- Bottom and top swiveling hook
- Design Factor of 4:1
- High quality, low friction thrust bearing
- Becket size optimized for Ropeblock Sockets such as Open Wedge (OWS), Open Spelter Sockets (OSS), Fast Connector Sockets (FCS) or Super Reeve Connector Sockets (SCS)
- Forged high tensile steel DIN hooks
- Body made of forged bar material
- High impact resistant body
- Operational temperature range: -40 up to +80 °C / -40 up to +176 °F
- C3M finish, signal yellow

Recommended finish

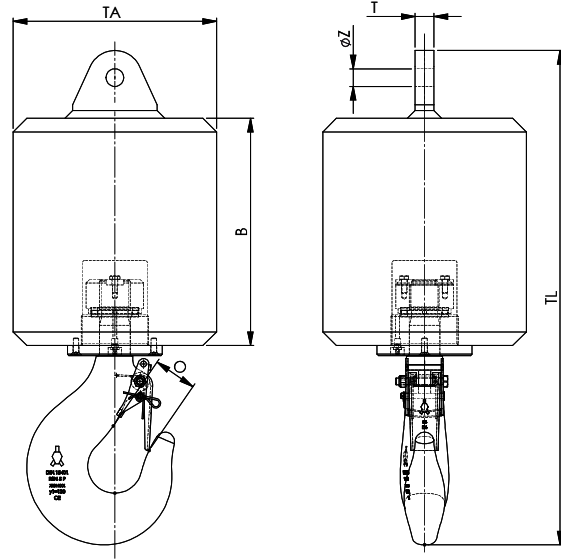
Segment / application	ISO 12944 classification	Classification description	Expected protection duration	DFT (µm)
Construction	C2M	Slightly polluted atmosphere, predominately agriculture areas	5 to 15 year	120
Construction	C3M	Industrial and residential air pollution levels, with an average sulfurdioxide (IV) contamination level. Coastal areas with low salt content in air	2 to 5 year	120
Construction	C3M	Industrial and residential air pollution levels, with an average sulfurdioxide (IV) contamination level. Coastal areas with low salt content in air	5 to 15 year	160
Cargo handling	C3M	Industrial and residential air pollution levels, with an average sulfurdioxide (IV) contamination level. Coastal areas with low salt content in air	5 to 15 year	160
Cargo handling	C4H	Industrial areas and coastal areas with average salt content in air	more than 15 year	280
Cargo handling	C5-MM	Coastal areas and open sea with high salt content in air	5 to 15 year	280
Offshore	C4H	Industrial areas and coastal areas with average salt content in air	more than 15 year	300
Offshore	C5-MM	Coastal areas and open sea with high salt content in air	5 to 15 year	300
Offshore	C5-MH	Coastal areas and open sea with high salt content in air	more than 15 year	320
Offshore	NORSOK sys. 1*	Open sea with high salt content in air	more than 15 year	300



SEE OUR WARNINGS AND APPLICATION INSTRUCTIONS



Overhaul Balls



Model Nr.	WLL	For wire ød inch	Becket	Dimensions (inch)						Weight lbs
	UStons			B	O	TA	TL	T	øZ	
OHB 3.2.60.C-1	3.5	½	1	7.9	2.0	8.7	19.7	0.9	1.1	130
OHB 3.2.60.C-2	3.5	⅝ - ⅝	2	7.9	2.0	8.7	19.9	1.1	1.3	130
OHB 5.80.C-2	5.5	⅝ - ⅝	2	8.7	2.0	9.4	22.3	1.1	1.3	175
OHB 6.3.80.C-2	6.9	⅝ - ⅝	2	8.7	2.0	9.4	22.3	1.1	1.3	175
OHB 8.130.C-3	8.8	¾	3	12.2	2.2	10.1	28.3	1.4	1.5	285
OHB 8.170.C-3	8.8	¾	3	13.4	2.2	10.9	26.8	1.4	1.5	375
OHB 8.200.C-3	8.8	¾	3	13.2	2.5	11.8	28.7	1.1	1.0	440
OHB 8.250.C.3	8.8	¾	3	15.7	2.2	12.5	34.0	1.4	1.5	550
OHB 10.210.C-4	11	⅞	4	15.0	2.2	11.7	29.6	1.6	1.7	460
OHB 10.250.C-5	11	1	5	15.7	2.2	12.5	30.4	1.8	2.0	550
OHB 12.328.C-4	13.2	⅞	4	15.8	2.5	13.8	34.6	1.6	1.7	722
OHB 12.5.200.C-4	13.75	⅞	4	13.2	2.5	11.8	31.3	1.6	1.7	440
OHB 12.5.250.C-5	13.75	1	5	15.7	2.5	12.5	32.6	1.8	2.0	550
OHB 12.5.370.C-5	13.75	1	5	17.7	2.5	13.8	34.6	1.8	2.0	814
OHB 16.370.C-5	17.6	1	5	17.7	2.8	12.5	38.7	1.8	2.0	814
OHB 16.450.C-5	17.6	1	5	17.3	2.8	15.7	38.3	1.8	2.0	990
OHB 16.545.P-5	17.6	1	5	18.1	2.8	17.7	39.5	1.8	2.0	1200
OHB 20.575.P-6	22	1⅝	6	18.5	3.1	16.0	42.3	2.0	2.3	1265
OHB 20.725.P-6	22	1⅝	6	24.0	3.1	17.7	47.2	2.0	2.3	1600
OHB 20.910.P-6	22	1⅝	6	24.2	3.1	19.7	47.4	2.0	2.3	2000
OHB 25.725.P-7	27.5	1¾	7	20.1	3.1	18.1	42.4	2.4	2.6	1600
OHB 25.725.P-8	27.5	1¾	8	20.1	3.1	18.1	42.4	2.4	2.6	1600
OHB 25.910.P-7	27.5	1¾	7	24.0	3.1	18.1	46.4	2.4	2.6	2000
OHB 25.910.P-8	27.5	1¾	8	24.0	3.1	18.1	46.4	2.4	2.6	2000
OHB 32.365.P-8	35	1⅝	6	15.7	3.5	14.6	49.6	2.6	2.6	800
OHB 32.725.P-7	35	1¾	7	23.6	3.5	17.7	45.4	2.4	2.6	1600
OHB 32.910.P-9	35	1½	9	24.2	3.5	19.7	46.0	2.8	2.8	2000

Minimum Ultimate Strength = 4 x WLL.

- The dimensions in this table are indicative only. A drawing will always be submitted prior to production and will be the leading document when discussing dimensions.
- Overhaul Balls shown here are standard models; inquiries for custom versions are welcome.

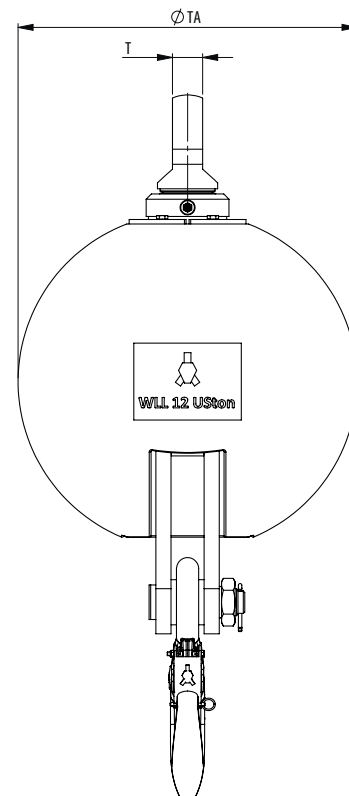
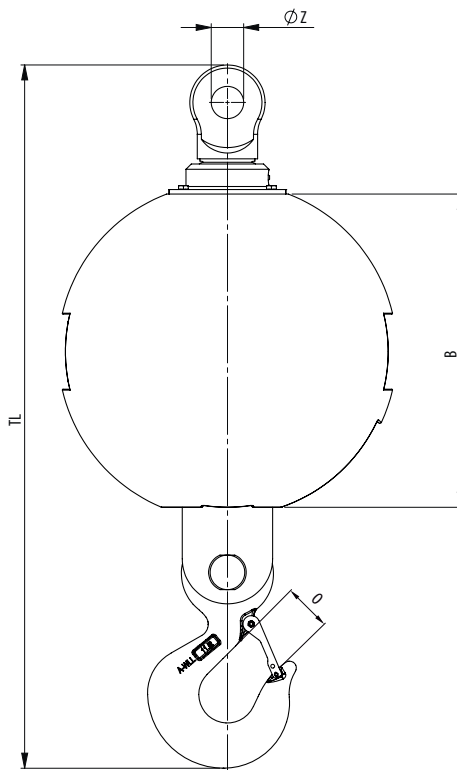


SEE OUR WARNINGS AND APPLICATION INSTRUCTIONS

8125 Saran Dr. • Playa del Rey, CA 90293
 Phone: 310.448.5444 • Fax: 310.448.5446
 sales@awrrinc.com
 www.AssociatedWireRope.com



Round Overhaul Ball NEW!

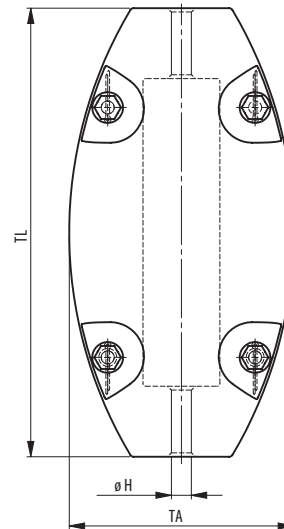
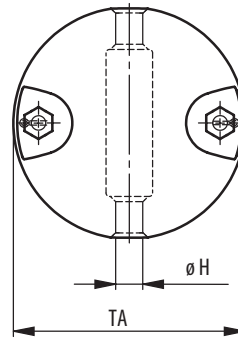


Model no.	WLL (UStons)	For wire ød inch	Dimensions (inch)						Weight (lbs)
			B	O	TA	TL	T	Z	
OHB-B 4,5.50-x	5	1/2 - 3/4	7 13/16	1 11/16	9 1/16	26 1/4	TBD	TBD	110
OHB-B 4,5.110-x	5	1/2 - 3/4	11 3/8	1 11/16	12 5/16	27 7/16	TBD	TBD	242
OHB-B 4,5.145-x	5	1/2 - 3/4	12 9/16	1 11/16	13 9/16	28 15/16	TBD	TBD	320
OHB-B 7.50-x	8	1/2 - 3/4	7 13/16	1 11/16	9 1/16	26 1/4	TBD	TBD	110
OHB-B 7.80-x	8	1/2 - 3/4	10	1 11/16	11	26 1/4	TBD	TBD	175
OHB-B 7.110-x	8	1/2 - 3/4	11 3/8	1 11/16	12 5/16	27 7/16	TBD	TBD	242
OHB-B 7.145-x	8	1/2 - 3/4	12 9/16	1 11/16	13 9/16	28 15/16	TBD	TBD	320
OHB-B 11.180-x	12	3/4 - 1 1/8	13 1/8	2 1/16	14 9/16	33 1/16	TBD	TBD	396
OHB-B 11.265-x	12	3/4 - 1 1/8	15 3/8	2 1/16	16 3/4	35 7/8	TBD	TBD	583
OHB-B 11.320-x	12	3/4 - 1 1/8	16 7/16	2 1/16	17 11/16	36 7/8	TBD	TBD	705
OHB-B 11.530-x	12	3/4 - 1 1/8	20	2 1/16	21 1/16	40 7/16	TBD	TBD	1165
OHB-B 18.195-x	20	3/4 - 1 1/8	13 1/8	3 1/16	14 9/16	38 3/16	TBD	TBD	429
OHB-B 18.330-x	20	3/4 - 1 1/8	16 7/16	3 1/16	17 11/16	42	TBD	TBD	726
OHB-B 18.545-x	20	3/4 - 1 1/8	20	3 1/16	21 1/16	45 9/16	TBD	TBD	1200

The dimensions in this table are indicative only. A drawing will always be submitted prior to production and will be the leading document when discussing dimensions.
Products shown here are standard models; inquiries for custom versions are welcome.

Minimum Ultimate Strength = 4 x WLL

Split Overhaul Balls (Ball weights)



Model No.	Stock No.	Type	Wire Ø (inch)	Dimensions (inch)			Weight (lbs)
				ØH	TA	TL	
SOBA 5.6	52.005.06.00	A	¼	¼	4 ⅝	-	11
SOBA 5.12	52.005.12.00	A	½	½	4 ⅝	-	11
SOBA 8.16	52.008.16.00	A	⅝	⅝	5 ¼	-	18
SOBA 10.12	52.010.12.00	A	½	½	5 ⅞	-	22
SOBA 15.16	52.015.16.00	B	⅝	⅝	5 ⅝	8 ¼	33
SOBA 25.16	52.025.16.00	B	⅝	⅝	5 ⅞	10 ¼	55
SOBA 35.16	52.035.16.00	B	⅝	⅝	6 ⅞	13 ¾	77
SOBA 50.20	52.050.20.00	B	1 ⅜	1 ⅜	7 ⅞	14 ¾	110
SOBA 75.20	52.075.20.00	B	1 ⅜	1 ⅜	10 ⅝	14 ⅞	165
SOBA 100.28	52.100.28.00	B	1 ⅞	1 ⅞	11	15 ¾	220

• Weights can be made suitable for larger wire diameters (at additional costs).