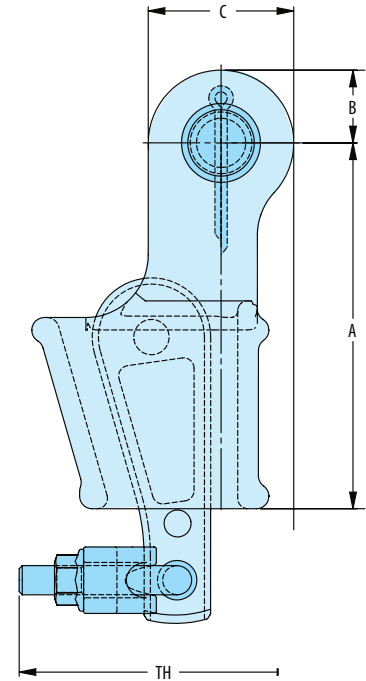
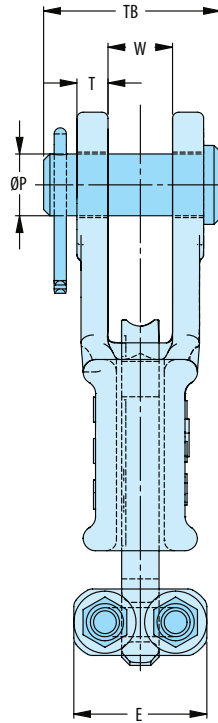


Tailgrip Open Wedge Sockets with pin

Quenched and tempered cast steel



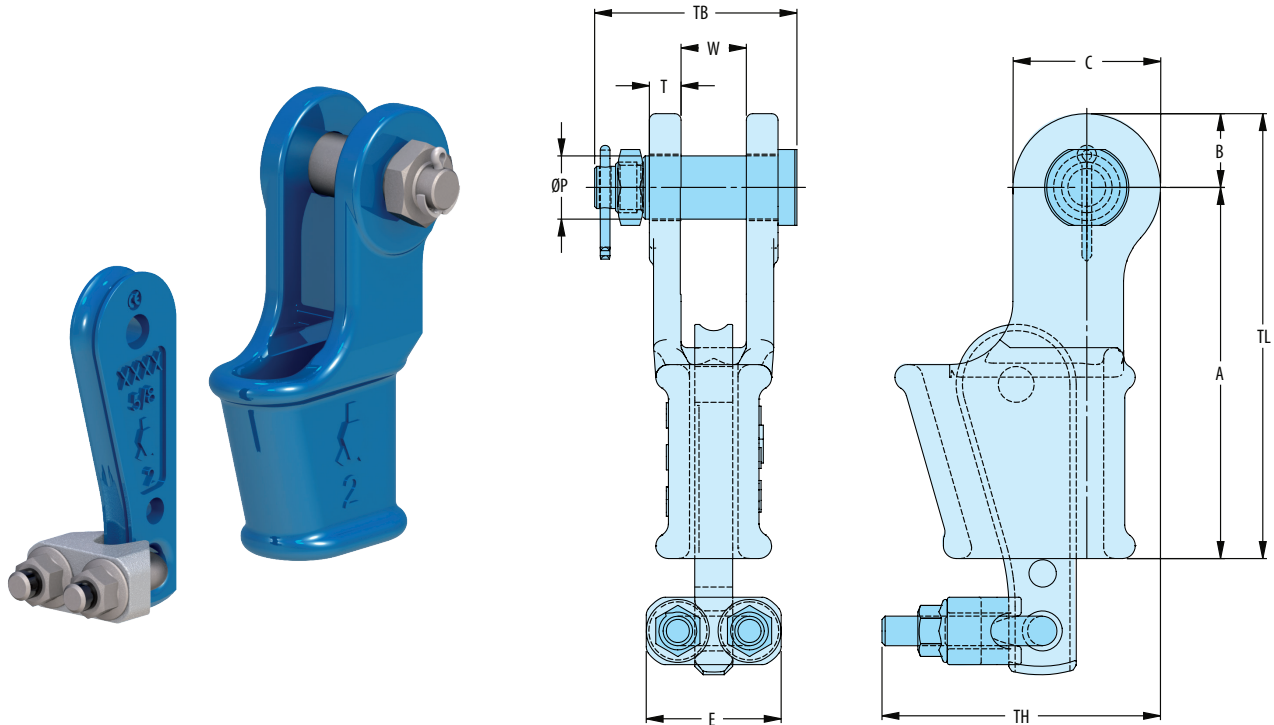
Model nr.	MBL (UStons)	for wire ø		Dimensions (inch)										Weight (lbs)
		mm	inch	A	B	C	E	øP	T	TH	TL	TB	W	
OWS-TG 0.5 P	13	9-10	3/8	5 1/16	7/8	1 13/16	1 1/16	13/16	7/16	3	6 1/2	2 1/2	13/16	4,2
OWS-TG 1 P	22	11-13	1/2	5 3/4	1 1/8	2 1/4	2 1/4	1	1/2	4	6 7/8	2 5/8	1	5,3
OWS-TG 2 P	28	14-16	5/8	6 15/16	1 3/8	2 3/4	2 3/4	1 3/16	9/16	4 15/16	8 5/16	3 3/8	1 1/4	11
OWS-TG 3 P	44	18-19	3/4	8 7/8	1 1/16	3 1/8	2 5/8	1 3/8	5/8	5 5/8	9 13/16	3 3/4	1 1/2	17,6
OWS-TG 4 P	61	20-22	7/8	9 9/16	1 7/8	3 3/4	3	1 5/8	3/4	6 3/4	11 4/16	4 5/16	1 3/4	24,2
OWS-TG 5 P	83	24-26	1	10 13/16	2 3/16	4 5/16	3 5/16	2	7/8	7 7/8	13	5 1/16	2	35,2
OWS-TG 6 P	99	27-29	1 1/8	12 3/16	2 5/16	5 1/8	3 3/8	2 1/4	1	8 1/16	14 3/4	5 9/16	2 1/4	50,6
OWS-TG 7 P	121	30-32	1 1/4	13 3/4	2 7/8	5 3/4	4 1/4	2 1/2	1 1/8	9 3/8	16 5/8	6 1/8	2 1/2	74,8

MBL = Minimum Breaking Load

The standard finish of our sockets is blue. Hot dipped galvanized is also available. All sockets can be provided with Declaration of compliance according EN 10204-2.1. Material certificate according EN 10204-3.1 and EC Declaration according machine directive 2006/42/EC. Meets performance requirements of API 2C.

Tailgrip Open Wedge Sockets with bolt and nut

Quenched and tempered cast steel



Model nr.	MBL (UStons)	for wire ø		Dimensions (inch)										Weight (lbs)
		mm	inch	A	B	C	E	øP	T	TH	TL	TB	W	
OWS-TG 0.5 B	13	9-10	3/8	5 1/16	7/8	1 13/16	1 1/16	13/16	7/16	3	6 1/2	2 15/16	13/16	4,2
OWS-TG 1 B	22	11-13	1/2	5 3/4	1 1/8	2 1/4	2 1/4	1	1/2	4	6 7/8	3 1/8	1	5,3
OWS-TG 2 B	28	14-16	5/8	6 15/16	1 3/8	2 3/4	2 3/4	1 3/16	9/16	4 15/16	8 5/16	3 3/4	1 1/4	11
OWS-TG 3 B	44	18-19	3/4	8 7/8	1 1/16	3 1/8	2 5/8	1 3/8	5/8	5 5/8	9 13/16	4 3/16	1 1/2	17,6
OWS-TG 4 B	61	20-22	7/8	9 9/16	1 7/8	3 3/4	3	1 5/8	3/4	6 3/4	11 1/4	4 13/16	1 3/4	24,2
OWS-TG 5 B	83	24-26	1	10 13/16	2 3/16	4 5/16	3 5/16	2	7/8	7 7/8	13	5 7/16	2	35,2
OWS-TG 6 B	99	27-29	1 1/8	12 3/16	2 5/16	5 1/8	3 5/8	2 1/4	1	8 1/16	14 3/4	6 5/16	2 1/4	50,6
OWS-TG 7 B	121	30-32	1 1/4	13 3/4	2 7/8	5 3/4	4 1/4	2 1/2	1 1/8	9 3/8	16 5/8	6 1/2	2 1/2	74,8

MBL = Minimum Breaking Load

The standard finish of our sockets is blue. Hot dipped galvanized is also available. All sockets can be provided with Declaration of compliance according EN 10204-2.1. Material certificate according EN 10204-3.1 and EC Declaration according machine directive 2006/42/EC. Meets performance requirements of API 2C.