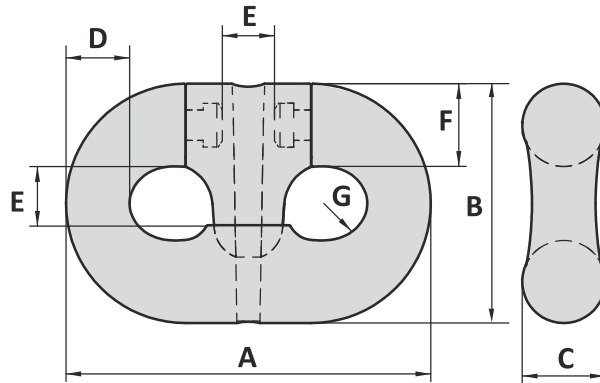


# CR CONNECTOR

# TYPE SC3

Material : Fully forged steel R4  
 Finish : Self coloured  
 Temperature range : -4°F up to +392°F  
 Standard certification : Certificate of Conformity  
 3.1 material certificate EN 10204

Can be assembled with our range of swivels, CR-sockets and chains

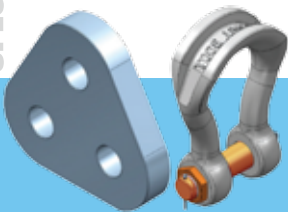


Art. No.	Chain mm	Chain inch	CR socket No.	PL kN	MBL kN	A inch	B inch	C inch	D inch	E inch	F inch	G inch	Weight lbs
40000003	76	3	522 - 528	4731	6001	17 <sup>15</sup> / <sub>16</sub>	11 <sup>2</sup> / <sub>32</sub>	4 <sup>1</sup> / <sub>16</sub>	3	3 <sup>1</sup> / <sub>2</sub>	4 <sup>1</sup> / <sub>16</sub>	1 <sup>13</sup> / <sub>16</sub>	128
40000005	84	3 <sup>3</sup> / <sub>4</sub>	524 - 529	5682	7208	19 <sup>5</sup> / <sub>8</sub>	12 <sup>3</sup> / <sub>4</sub>	4 <sup>13</sup> / <sub>32</sub>	3 <sup>1</sup> / <sub>4</sub>	3 <sup>13</sup> / <sub>16</sub>	4 <sup>13</sup> / <sub>32</sub>	1 <sup>3</sup> / <sub>32</sub>	181
40000004	89	3 <sup>1</sup> / <sub>2</sub>	524 - 530	6310	8004	21 <sup>1</sup> / <sub>32</sub>	13 <sup>2</sup> / <sub>32</sub>	4 <sup>13</sup> / <sub>32</sub>	3 <sup>1</sup> / <sub>2</sub>	4 <sup>2</sup> / <sub>32</sub>	4 <sup>23</sup> / <sub>32</sub>	2 <sup>3</sup> / <sub>32</sub>	209

Tolerance: Forged parts ± 5%, machined parts ± 1/32 inch

# GN ROPE FITTINGS

North American Stocking Distributor



8125 Saran Dr. • Playa del Rey, CA 90293  
 Phone: 310.448.5444 • Fax: 310.448.5446  
 sales@awrrinc.com  
 www.AssociatedWireRope.com

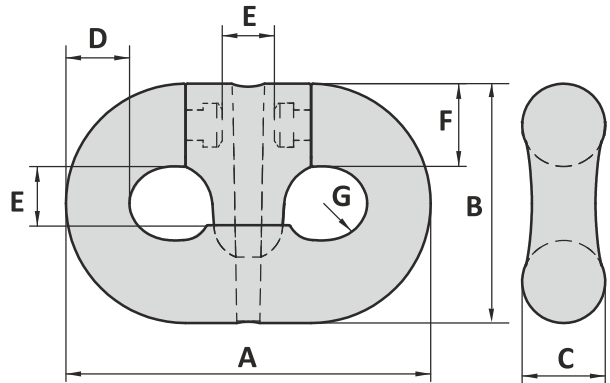


# CR CONNECTOR

# TYPE SC3

Material : Fully forged steel R4  
 Finish : Self coloured  
 Temperature range : -20°C up to +200°C  
 Standard certification : Certificate of Conformity  
 3.1 material certificate EN 10204

Can be assembled with our range of swivels, CR-sockets and chains



Art. No.	Chain mm	Chain inch	CR socket No.	PL kN	MBL kN	A mm	B mm	C mm	D mm	E mm	F mm	G mm	Weight kg
40000003	76	3	522 - 528	4731	6001	456	296	103	76	89	103	46	58
40000005	84	3 1/4	524 - 529	5682	7208	498	324	112	83	97	112	50	82
40000004	89	3 1/2	524 - 530	6310	8004	534	347	120	89	104	120	53	95

Tolerance: Forged parts ± 5%, machined parts ± 1 mm

# GN ROPE FITTINGS

North American Stocking Distributor

8125 Saran Dr. • Playa del Rey, CA 90293  
 Phone: 310.448.5444 • Fax: 310.448.5446

sales@awrrinc.com  
 www.AssociatedWireRope.com



GENERAL

SHACKLES

THIMBLES

SOCKETS

LINKS

SWIVELS

HOOKS

MOORING

SPECIALS