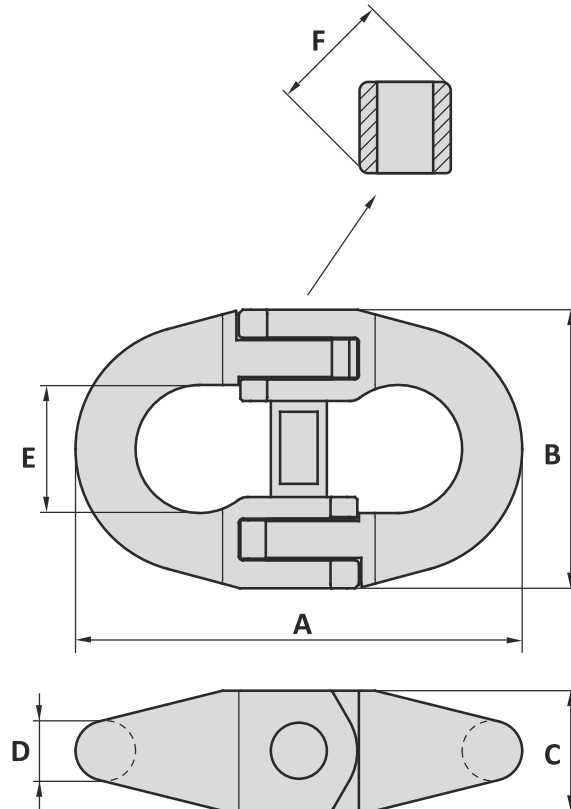


# CONNECTING LINK FOR PENNANT LINES

## TYPE SC2

Material : Forged alloy steel quenched and tempered  
 Safety factor : 5 times  
 Finish : Painted  
 Temperature range : -4°F up to +392°F  
 Standard certification : Certificate of Conformity  
 3.1 material certificate EN 10204

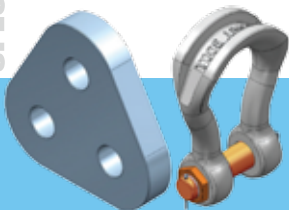


Art. No.	WLL ton	PL ton	A inch	B inch	C inch	D inch	E inch	F inch	Weight lbs
40000001	110	220	22 1/16	14 3/16	4 1/4	3	6 1/8	5 29/32	168

Tolerance: ± 5%

# GN ROPE FITTINGS

North American Stocking Distributor



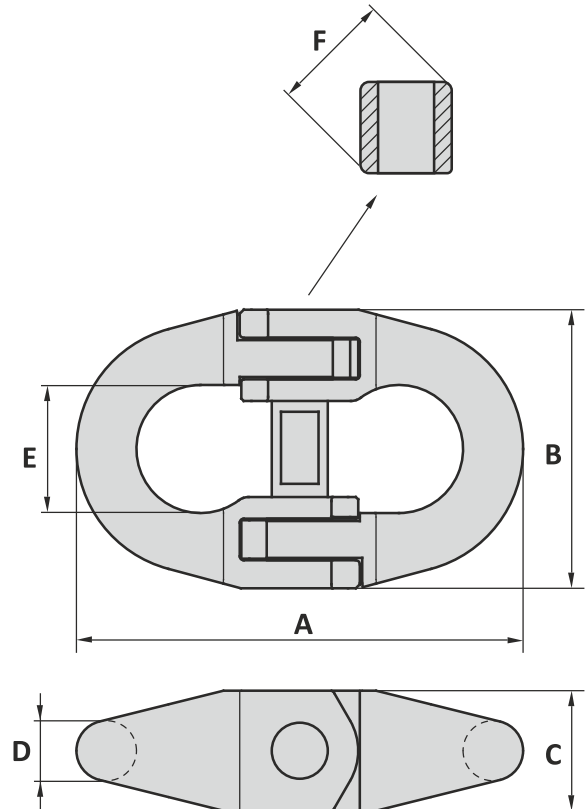
8125 Saran Dr. • Playa del Rey, CA 90293  
 Phone: 310.448.5444 • Fax: 310.448.5446  
 sales@awrrinc.com  
 www.AssociatedWireRope.com



# CONNECTING LINK FOR PENNANT LINES

## TYPE SC2

Material : Forged alloy steel quenched and tempered  
 Safety factor : 5 times  
 Finish : Painted  
 Temperature range : -20°C up to +200°C  
 Standard certification : Certificate of Conformity  
 3.1 material certificate EN 10204

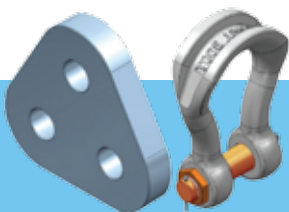


Art. No.	WLL ton	PL ton	A mm	B mm	C mm	D mm	E mm	F mm	Weight kg
40000001	110	220	560	360	108	76	156	150	76

Tolerance: ± 5%

# GN ROPE FITTINGS

North American Stocking Distributor



8125 Saran Dr. • Playa del Rey, CA 90293  
 Phone: 310.448.5444 • Fax: 310.448.5446  
 sales@awrrinc.com  
 www.AssociatedWireRope.com



GENERAL

SHACKLES

THIMBLES

SOCKETS

**LINKS**

SWIVELS

HOOKS

MOORING

SPECIALS