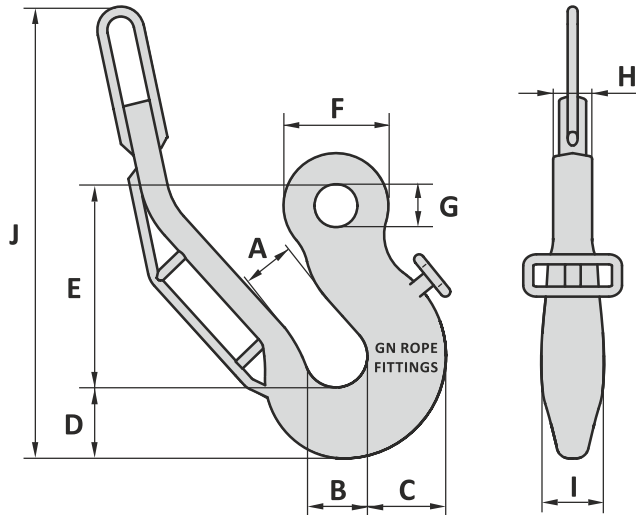


KS HOOK

TYPE HK12

Material : Forged steel R3/R3S/R4/R4S
 Finish : Painted, special specifications on request
 Temperature range : -40°F up to +392°F; Polar Rated
 Standard certification : Certificate of Conformity
 3.1 material certificate EN 10204

Non-standard sizes or custom products available on request



Art. No.	Hook No.	PL kN	MBL kN	A inch	B inch	C inch	D inch	E inch	F inch	G inch	H inch	I inch	J inch	Weight lbs
53100040	40	7096	9001	6 ³ / ₁₆	7 ⁷ / ₁₆	9 ²⁷ / ₃₂	8 ⁷ / ₁₆	25 ³ / ₁₆	13 ³ / ₃₂	5 ³ / ₁₆	5 ³ / ₃₂	7 ⁷ / ₁₆	60 ¹⁹ / ₃₂	869
53100050	50	10700	13573	7 ³ / ₁₆	7 ⁷ / ₁₆	10 ²⁷ / ₃₂	10 ¹ / ₁₆	26 ³ / ₁₆	13 ¹⁹ / ₃₂	6 ¹ / ₁₆	6 ¹³ / ₃₂	9 ² / ₃₂	56 ¹³ / ₁₆	1060

Tolerance: ± 5%

GN ROPE FITTINGS

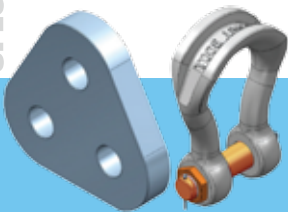
North American Stocking Distributor

8125 Saran Dr. • Playa del Rey, CA 90293

Phone: 310.448.5444 • Fax: 310.448.5446

sales@awrrinc.com

www.AssociatedWireRope.com

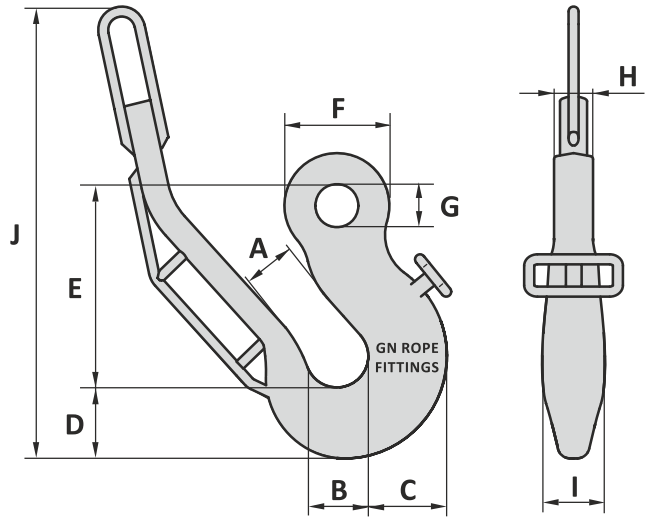


KS HOOK

TYPE HK12

Material : Forged steel R3/R3S/R4/R4S
 Finish : Painted, special specifications on request
 Temperature range : -40°C up to +200°C; Polar Rated
 Standard certification : Certificate of Conformity
 3.1 material certificate EN 10204

Non-standard sizes or custom products available on request

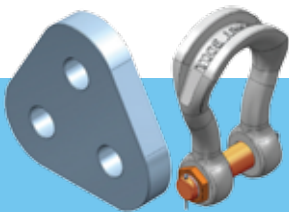


Art. No.	Hook No.	PL kN	MBL kN	A mm	B mm	C mm	D mm	E mm	F mm	G mm	H mm	I mm	J mm	Weight kg
53100040	40	7096	9001	162	200	250	225	645	334	135	131	200	1539	394
53100050	50	10700	13573	180	200	272	256	665	345	170	163	245	1443	481

Tolerance: ± 5%

GN ROPE FITTINGS

North American Stocking Distributor



8125 Saran Dr. • Playa del Rey, CA 90293
 Phone: 310.448.5444 • Fax: 310.448.5446
 sales@awrrinc.com
 www.AssociatedWireRope.com



GENERAL

SHACKLES

THIMBLES

SOCKETS

LINKS

SWIVELS

HOOKS

MOORING

SPECIALS