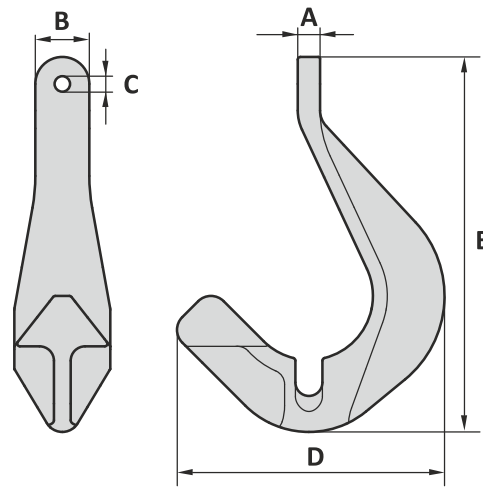
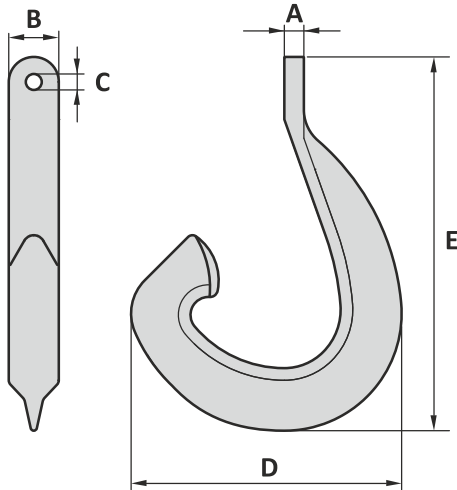


J CHASER

TYPE HK10

Material : Mild steel
 Finish : Painted
 Temperature range : -4°F up to +392°F
 Standard certification : Certificate of Conformity
 3.1 material certificate EN 10204

**J Chain Chaser****J Lock Chaser**

| Art. No. | WLL ton | A inch | B inch | C inch | D inch | E inch | Weight lbs |
|-----------------------|------------|-----------|-----------|-----------|-----------|-----------|---------------|
| J Chain chaser | | | | | | | |
| 50001150 | 150 | 5 1/8 | 9 1/16 | 3 3/8 | 72 1/16 | 97 1/2 | 4409 |
| 50001250 | 250 | 7 13/32 | 13 | 5 23/32 | 72 1/16 | 97 1/2 | 6614 |
| 50001300 | 300 | 7 13/32 | 12 13/32 | 5 23/32 | 73 3/4 | 95 | 8818 |
| J Lock chaser | | | | | | | |
| 50001155 | 150 | 4 7/8 | 21 | 3 3/8 | 58 1/2 | 82 | 6614 |

Tolerance: ± 5%

GN ROPE FITTINGS

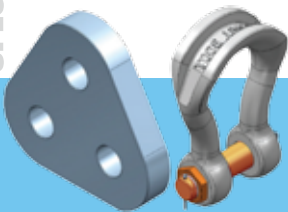
North American Stocking Distributor

8125 Saran Dr. • Playa del Rey, CA 90293

Phone: 310.448.5444 • Fax: 310.448.5446

sales@awrrinc.com

www.AssociatedWireRope.com



J CHASER

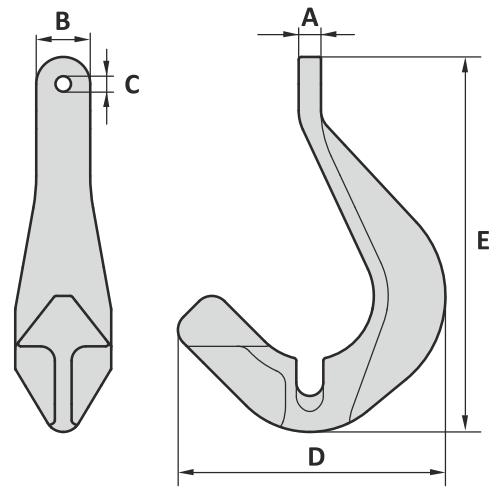
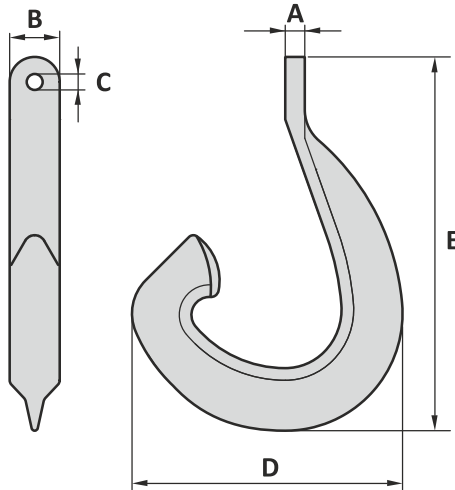
TYPE HK10

Material : Mild steel
 Finish : Painted
 Temperature range : -20°C up to +200°C
 Standard certification : Certificate of Conformity
 3.1 material certificate EN 10204



J Chain chaser

J Lock chaser



| Art. No. | WLL ton | A mm | B mm | C mm | D mm | E mm | Weight kg |
|-----------------------|------------|---------|---------|---------|---------|---------|--------------|
| J Chain chaser | | | | | | | |
| 50001150 | 150 | 130 | 230 | 98 | 1830 | 2477 | 2000 |
| 50001250 | 250 | 190 | 330 | 145 | 1830 | 2477 | 3000 |
| 50001300 | 300 | 190 | 320 | 145 | 1873 | 2413 | 4000 |
| J Lock chaser | | | | | | | |
| 50001155 | 150 | 124 | 533 | 86 | 1486 | 2083 | 3000 |

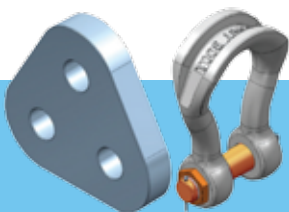
Tolerance: ± 5%

GN ROPE FITTINGS

North American Stocking Distributor

8125 Saran Dr. • Playa del Rey, CA 90293
 Phone: 310.448.5444 • Fax: 310.448.5446

sales@awrrinc.com
 www.AssociatedWireRope.com



GENERAL

SHACKLES

THIMBLES

SOCKETS

LINKS

SWIVELS

HOOKS

MOORING

SPECIALS