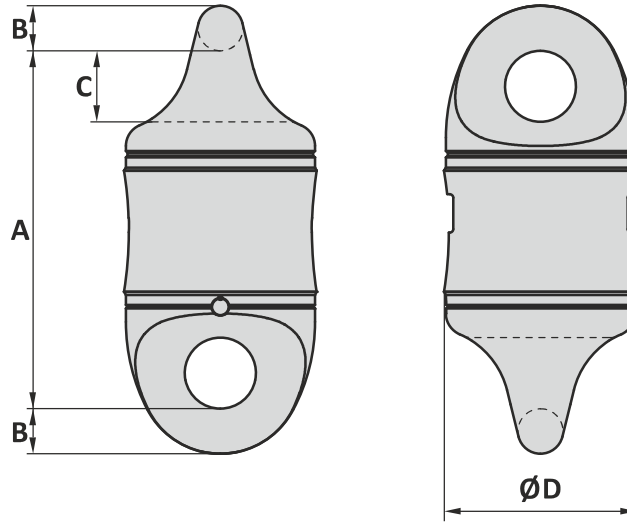


CRX MOORING SWIVEL

TYPE SW6

Material : Alloy steel quenched and tempered
 Grade : R4/R5
 Finish : Painted
 Temperature range : -4°F up to +392°F
 Standard certification : Certificate of Conformity
 3.1 material certificate EN 10204



Art. No.	Size inch	Kenter inch	R4 PL kN	R4 MBL kN	R5 PL kN	R5 MBL kN	A inch	B inch	C inch	D inch	Weight lbs
47060600	3	3 - 3 1/2	4731	6001	5498	7009	23 13/16	3	4 23/32	12 13/16	626
47060800	3 1/2	3 1/2 - 4	6310	8004	7332	9348	26 3/8	3 1/2	5 1/2	14 33/32	941

Tolerance: ± 5%

GN ROPE FITTINGS

North American Stocking Distributor



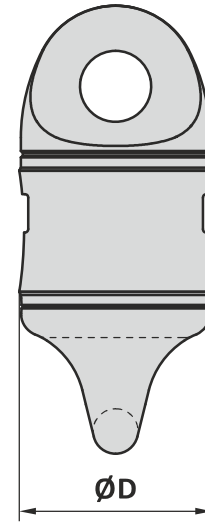
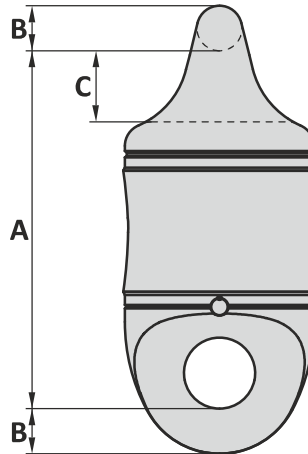
8125 Saran Dr. • Playa del Rey, CA 90293
 Phone: 310.448.5444 • Fax: 310.448.5446
 sales@awrrinc.com
 www.AssociatedWireRope.com



CRX MOORING SWIVEL

TYPE SW6

Material : Alloy steel quenched and tempered
 Grade : R4/R5
 Finish : Painted
 Temperature range : -20°C up to +200°C
 Standard certification : Certificate of Conformity
 3.1 material certificate EN 10204



Art. No.	Size inch	Kenter inch	R4 PL kN	R4 MBL kN	R5 PL kN	R5 MBL kN	A mm	B mm	C mm	D mm	Weight kg
47060600	3	3 - 3 ½	4731	6001	5498	7009	605	76	120	325	284
47060800	3 ½	3 ½ - 4	6310	8004	7332	9348	670	89	140	380	427

Tolerance: ± 5%

GN ROPE FITTINGS

North American Stocking Distributor

8125 Saran Dr. • Playa del Rey, CA 90293
 Phone: 310.448.5444 • Fax: 310.448.5446
 sales@awrrinc.com
 www.AssociatedWireRope.com



GENERAL

SHACKLES

THIMBLES

SOCKETS

LINKS

SWIVELS

HOOKS

MOORING

SPECIALS