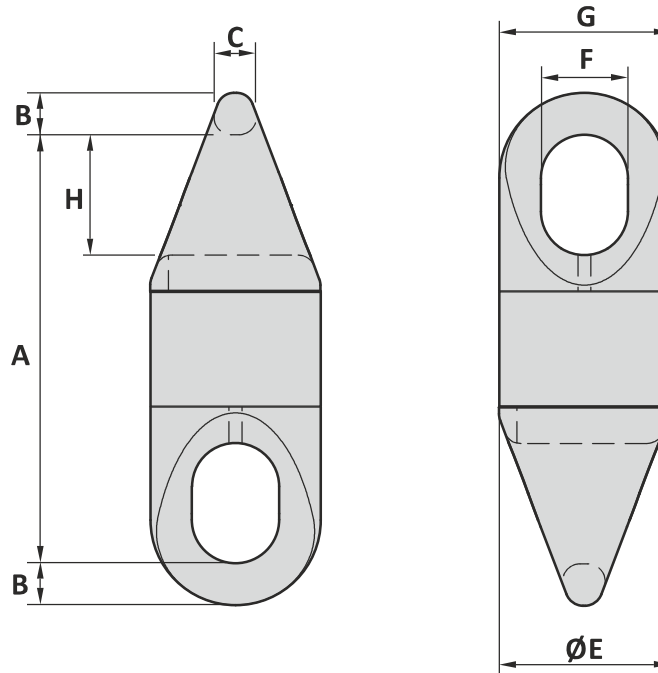


GR CHAIN SWIVEL

TYPE SW2

Material : Alloy steel quenched and tempered
 Safety factor : 5 times
 Finish : Painted
 Temperature range : -4°F up to +392°F
 Standard certification : Certificate of Conformity



Art. No.	Size inch	WLL ton	MBL ton	A inch	B inch	C inch	E inch	F inch	G inch	H inch	Weight lbs
47020250	2	50	250	24	2 7/32	1 31/32	7 7/8	4 11/32	7 7/8	6 1/2	287
47020300	2 1/4	60	300	27 7/16	2 9/16	2 1/4	8 7/8	5 5/16	9 1/16	7 11/16	335
47020400	2 1/2	80	400	27 15/16	2 15/16	2 5/16	9 29/32	5 29/32	10 5/8	8 7/16	397
47020600	3	120	600	31 11/16	3 11/32	2 15/16	11 13/16	6 7/8	13 19/32	9 9/16	650
47020800	3 1/2	160	800	37 3/16	4 1/8	3 3/4	12	8 1/16	14 3/16	11 7/32	908
47020900	4	180	900	41 15/16	4 5/16	3 15/16	14 3/16	8 7/8	14 33/32	12 19/32	1146

Tolerance: ± 5%

GN ROPE FITTINGS

North American Stocking Distributor



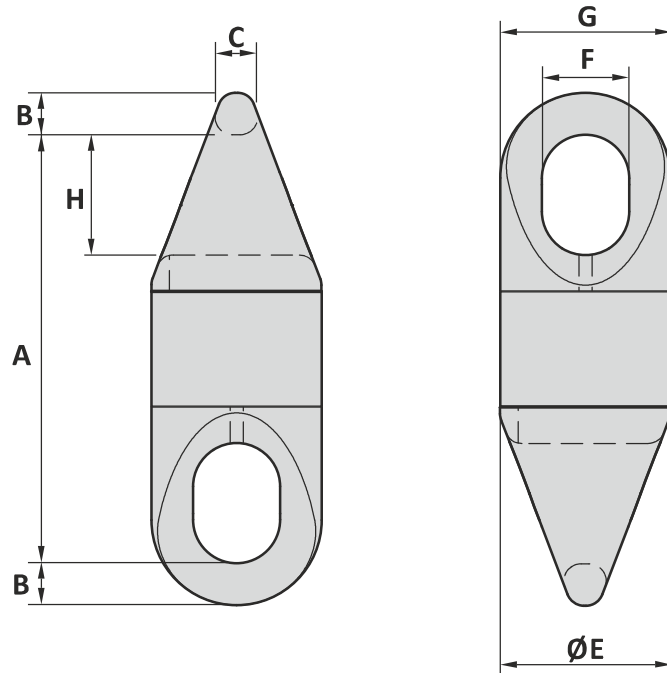
8125 Saran Dr. • Playa del Rey, CA 90293
 Phone: 310.448.5444 • Fax: 310.448.5446
 sales@awrrinc.com
 www.AssociatedWireRope.com



CR CHAIN SWIVEL

TYPE SW2

Material : Alloy steel quenched and tempered
 Safety factor : 5 times
 Finish : Painted
 Temperature range : -20°C up to +200°C
 Standard certification : Certificate of Conformity



Art. No.	Size inch	WLL ton	MBL ton	A mm	B mm	C mm	E mm	F mm	G mm	H mm	Weight kg
47020250	2	50	250	610	55	50	200	115	200	165	130
47020300	2 ¼	60	300	700	65	57	225	135	230	195	152
47020400	2 ½	80	400	710	75	65	250	150	270	205	180
47020600	3	120	600	805	85	75	300	175	342	240	295
47020800	3 ½	160	800	945	105	95	330	205	360	285	412
47020900	4	180	900	1065	110	100	360	225	380	320	520

Tolerance: ± 5%

GN ROPE FITTINGS

North American Stocking Distributor



8125 Saran Dr. • Playa del Rey, CA 90293
 Phone: 310.448.5444 • Fax: 310.448.5446
 sales@awrrinc.com
 www.AssociatedWireRope.com



GENERAL

SHACKLES

THIMBLES

SOCKETS

LINKS

SWIVELS

HOOKS

MOORING

SPECIALS