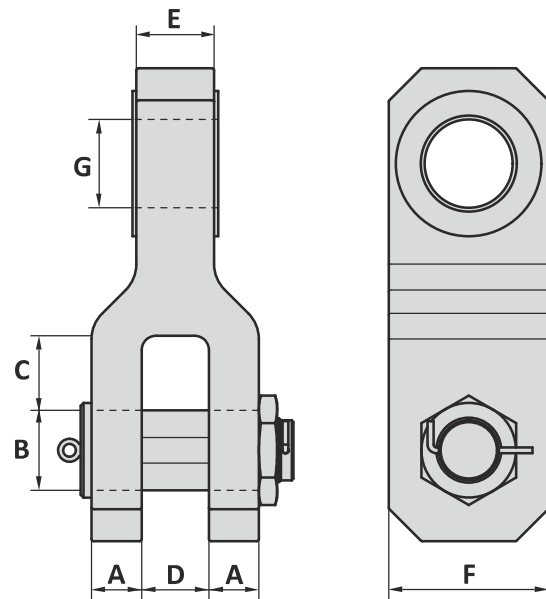
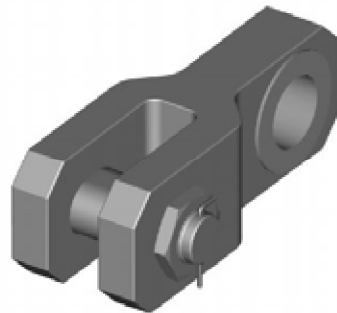


# FORGED Y-LINK

# TYPE SC9

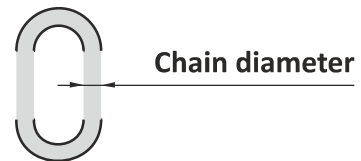
Material : Forged steel R3/R3S/R4/R4S  
 Finish : Painted  
 Temperature range : -40°C up to +200°C; Polar Rated  
 Standard certification : Certificate of Conformity  
 3.1 material certificate EN 10204

to suit : chain - shackle  
 chain - socket



### Dimensions related to nominal chain diameter

- Special sizes on request
- Classification Design Approval
- Also available with: ROV modification  
Orkot bush  
Padeye



Tolerance: Machined parts  $\pm 1$  mm

GENERAL

SHACKLES

THIMBLES

SOCKETS

LINKS

SWIVELS

HOOKS

MOORING

SPECIALS

# GN ROPE FITTINGS

North American Stocking Distributor



8125 Saran Dr. • Playa del Rey, CA 90293  
 Phone: 310.448.5444 • Fax: 310.448.5446  
 sales@awrrinc.com  
 www.AssociatedWireRope.com

