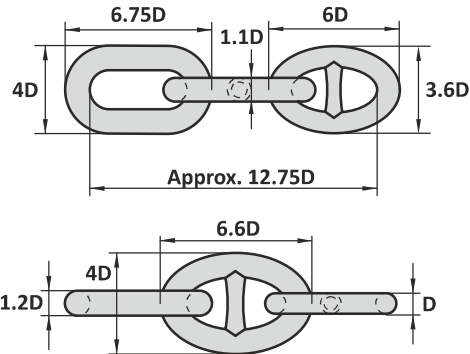


CHAIN ADAPTER (THREE LINK ADAPTER)

TYPE SC6

Material : Forged steel R4
 Finish : Painted
 Temperature range : -4°F up to +392°F
 Standard certification : Certificate of Conformity
 3.1 material certificate EN 10204

Non-standard sizes or custom products available on request



Art. No.	Chain inch	D inch	1.1D inch	1.2D inch	3.6D inch	4D inch	6D inch	6.6D inch	6.75D inch	12.75D inch	Weight lbs
59999993	3	3	3 5/16	3 19/32	10 25/32	12	18	19 3/4	20 3/16	38 5/32	309

Tolerance: ± 5%

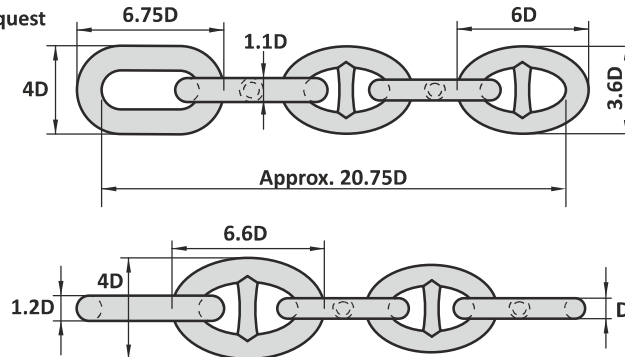
CHAIN ADAPTER (FIVE LINK ADAPTER)

TYPE SC7

Material : Forged steel R4
 Finish : Painted
 Temperature range : -4°F up to +392°F
 Standard certification : Certificate of Conformity
 3.1 material certificate EN 10204

Also available with special
 endlink 18 1/8 x 7 7/8 inch
 Art. No.: 59999997

Non-standard sizes or custom products available on request



Art. No.	Chain inch	D inch	1.1D inch	1.2D inch	3.6D inch	4D inch	6D inch	6.6D inch	6.75D inch	20.75D inch	Weight lbs
59999995	3	3	3 5/16	3 19/32	10 25/32	12	18	19 3/4	20 3/16	62 3/32	467

Tolerance: ± 5%

GN ROPE FITTINGS

North American Stocking Distributor

8125 Saran Dr. • Playa del Rey, CA 90293
 Phone: 310.448.5444 • Fax: 310.448.5446
 sales@awrrinc.com
 www.AssociatedWireRope.com

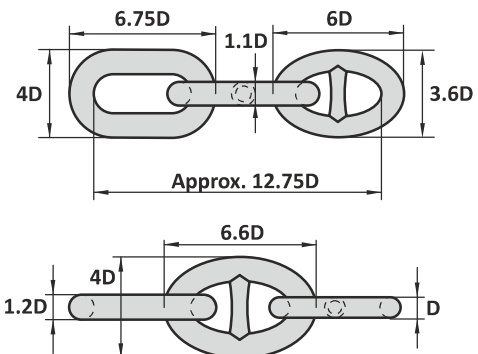


CHAIN ADAPTER (THREE LINK ADAPTER)

TYPE SC6

Material : Forged steel R4
 Finish : Painted
 Temperature range : -20°C up to +200°C
 Standard certification : Certificate of Conformity
 3.1 material certificate EN 10204

Non-standard sizes or custom products available on request



Art. No.	Chain inch	D mm	1.1D mm	1.2D mm	3.6D mm	4D mm	6D mm	6.6D mm	6.75D mm	12.75D mm	Weight kg
59999993	3	76	84	91	274	305	457	502	513	969	140

Tolerance: $\pm 5\%$

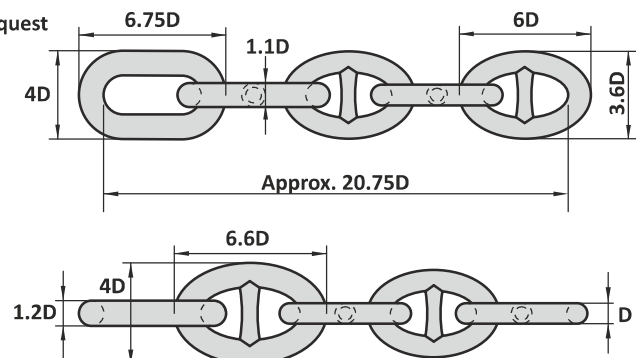
CHAIN ADAPTER (FIVE LINK ADAPTER)

TYPE SC7

Material : Forged steel R4
 Finish : Painted
 Temperature range : -20°C up to +200°C
 Standard certification : Certificate of Conformity
 3.1 material certificate EN 10204

Also available with special
 endlink 460x200 mm
 Art. No.: 59999997

Non-standard sizes or custom products available on request



Art. No.	Chain inch	D mm	1.1D mm	1.2D mm	3.6D mm	4D mm	6D mm	6.6D mm	6.75D mm	20.75D mm	Weight kg
59999995	3	76	84	91	274	305	457	502	513	1577	212

Tolerance: $\pm 5\%$

GN ROPE FITTINGS

North American Stocking Distributor



8125 Saran Dr. • Playa del Rey, CA 90293
 Phone: 310.448.5444 • Fax: 310.448.5446
 sales@awrrinc.com
 www.AssociatedWireRope.com

