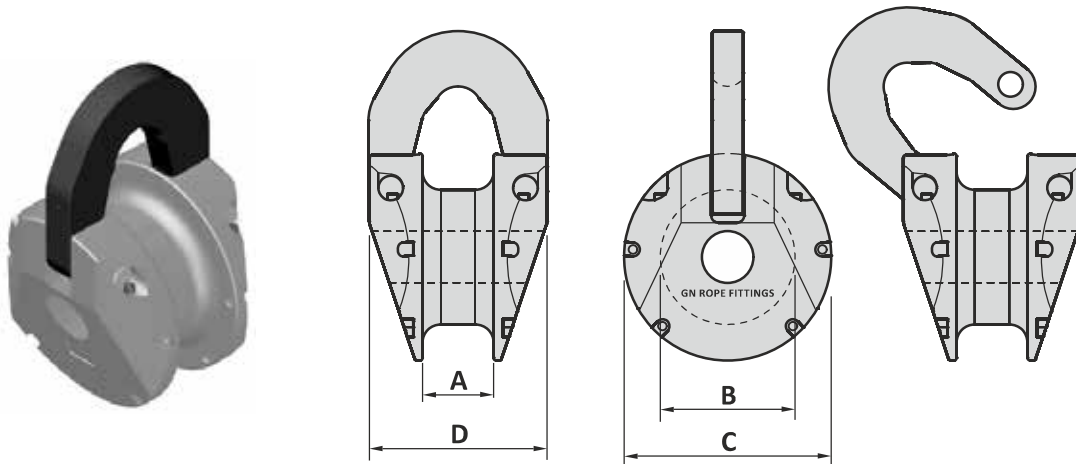


CR-D THIMBLE

TYPE K16

Material : High grade steel
 Finish : Painted
 Temperature range : -4°F up to +392°F
 Standard certification : Certificate of Conformity
 3.1 material certificate EN 10204

The CR-D Thimbles is specially designed for a connection between chain and synthetic rope. It will fulfil the latest design requirements for deepwater mooring.



Notes: Above given dimensions are standard, on request we can change, dimensions and loads.
 We reserve the right for design change

Art. No.	Rope dia. inch $\pm\frac{1}{4}$	PL ton	MBL ton	A inch -0 + $\frac{1}{4}$	B inch $\pm 3\%$	C inch $\pm 4\%$	D inch $\pm\frac{1}{4}$	Weight lbs
47070375	4 $\frac{1}{2}$	325	375	5 $\frac{1}{2}$	11 $\frac{1}{2}$	16 $\frac{15}{16}$	13 $\frac{3}{8}$	
47070425	4 $\frac{3}{4}$	370	425	5 $\frac{3}{4}$	11 $\frac{13}{16}$	18 $\frac{1}{8}$	14 $\frac{1}{16}$	
47070500	5 $\frac{1}{8}$	400	500	6 $\frac{1}{8}$	12 $\frac{13}{16}$	20 $\frac{1}{8}$	16 $\frac{1}{32}$	
47070600	5 $\frac{1}{2}$	500	650	6 $\frac{1}{16}$	13 $\frac{25}{32}$	21 $\frac{23}{32}$	18 $\frac{1}{8}$	
47070750	5 $\frac{3}{4}$	550	750	7 $\frac{1}{8}$	14 $\frac{1}{8}$	22 $\frac{27}{32}$	19 $\frac{1}{32}$	
47070800	6 $\frac{1}{16}$	600	800	8 $\frac{1}{8}$	15 $\frac{1}{2}$	23 $\frac{5}{8}$	20 $\frac{1}{32}$	
47070900	6 $\frac{1}{4}$	675	900					
47071000	7 $\frac{1}{8}$	750	1000					
47071250	8 $\frac{1}{2}$	1000	1250					
47071500	9 $\frac{1}{8}$	1250	1500					
47071750	9 $\frac{3}{4}$	1500	1750					
47072000	10 $\frac{5}{8}$	1750	2000					

Tolerance: Forged parts $\pm 5\%$, machined parts $\pm \frac{1}{32}$ inch

GN ROPE FITTINGS

North American Stocking Distributor

8125 Saran Dr. • Playa del Rey, CA 90293
 Phone: 310.448.5444 • Fax: 310.448.5446
 sales@awrrinc.com
 www.AssociatedWireRope.com

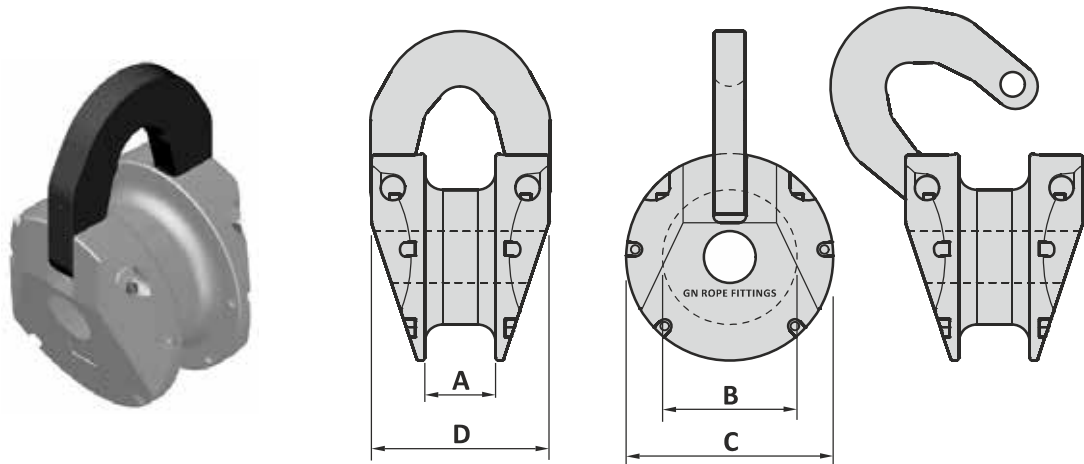


CR-D THIMBLE

TYPE K16

Material : High grade steel
 Finish : Painted
 Temperature range : -20°C up to +200°C
 Standard certification : Certificate of Conformity
 3.1 material certificate EN 10204

The CR-D Thimbles is specially designed for a connection between chain and synthetic rope. It will fulfil the latest design requirements for deepwater mooring.



Notes: Above given dimensions are standard, on request we can change, dimensions and loads.
 We reserve the right for design change

Art. No.	Rope dia. mm ±5	PL ton	MBL ton	A mm -0 +5	B mm ±3%	C mm ±4%	D mm ±5	Weight kg
47070375	110	325	375	140	280	430	340	
47070425	120	370	425	150	300	460	370	
47070500	130	400	500	160	325	510	420	
47070600	140	500	650	170	350	550	460	
47070750	150	550	750	190	370	580	490	
47070800	160	600	800	205	394	600	515	
47070900	170	675	900					
47071000	190	750	1000					
47071250	210	1000	1250					
47071500	230	1250	1500					
47071750	250	1500	1750					
47072000	270	1750	2000					

Tolerance: Forged parts ± 5%, machined parts ± 1 mm

GN ROPE FITTINGS

North American Stocking Distributor



8125 Saran Dr. • Playa del Rey, CA 90293
 Phone: 310.448.5444 • Fax: 310.448.5446
 sales@awrrinc.com
 www.AssociatedWireRope.com



GENERAL

SHACKLES

THIMBLES

SOCKETS

LINKS

SWIVELS

HOOKS

MOORING

SPECIALS