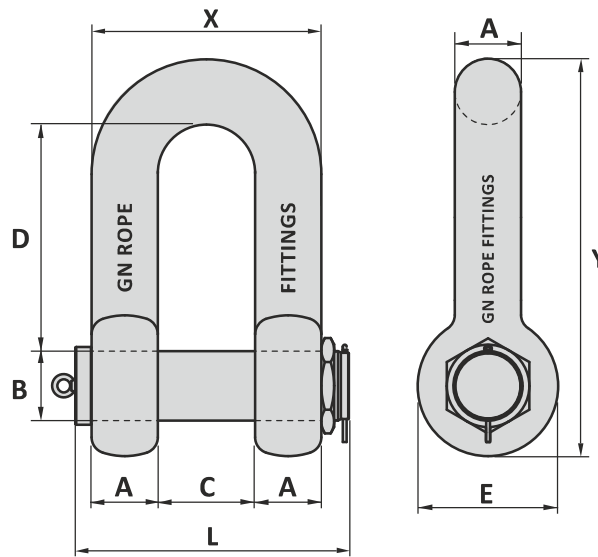


DEE SAFETY PIN SHACKLE

TYPE D15

Material : Forged alloy steel quenched and tempered
 Safety factor : 5 times
 Finish : Painted
 Temperature range : -40°F up to +392°F; Polar Rated
 Standard certification : Certificate of Conformity
 3.1 material certificate EN 10204

Non-standard sizes or custom products available on request



Art. No.	WLL ton	A inch	B inch	C inch	D inch	E inch	L inch	X inch	Y inch	Weight lbs
32001209	120	3 1/2	3 3/4	5 29/32	10 5/8	7 1/8	16 17/32	12 29/32	19 27/32	220
32001508	150	4	4 1/4	6 11/16	12 13/32	9 1/8	18 11/16	14 23/32	23 1/8	315
32100115	175	3 19/16	4 3/16	5 29/32	14 3/16	8 21/32	17 23/32	13 25/32	24 3/8	298
32002009	200	4 23/32	4 15/16	7 3/32	19 11/16	10 1/4	20 15/32	16 17/32	32	527
32130140	250	5 1/8	5 1/2	7 11/16	18 1/8	11 1/32	22 1/4	17 29/32	31 3/8	591
32140152	300	5 1/2	5 29/32	8 1/16	19 11/16	11 13/16	23 7/16	19 9/32	33 27/32	732
32150164	350	5 29/32	6 1/16	8 21/32	20 15/32	12 19/32	24 13/16	20 15/32	35 13/16	888
32160170	400	6 1/16	6 11/16	9 1/4	22 27/32	13 3/8	26 3/16	21 27/32	38	1067
32170180	450	6 11/16	7 3/32	9 27/32	23 5/8	14 3/16	27 7/16	23 7/32	40 11/32	1270
32180192	500	7 3/32	7 15/32	10 7/16	24 13/32	14 31/32	28 15/16	24 3/8	42 1/2	1495
32190205	550	7 15/32	8 15/32	11 1/32	26 3/16	15 15/16	32 3/16	26 3/16	45 3/8	1852

Tolerance: Inside length $\pm 7.5\%$, all other forged parts $\pm 5\%$, machined parts $\pm 1/32$ inch

GN ROPE FITTINGS

North American Stocking Distributor



8125 Saran Dr. • Playa del Rey, CA 90293
 Phone: 310.448.5444 • Fax: 310.448.5446
 sales@awrrinc.com
 www.AssociatedWireRope.com

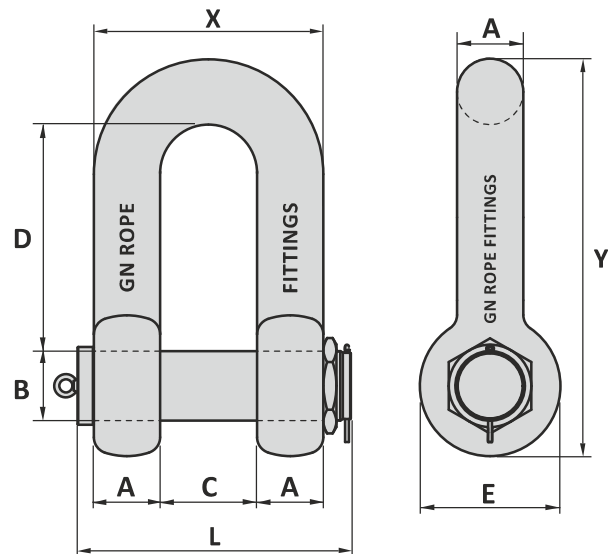


DEE SAFETY PIN SHACKLE

TYPE D15

Material : Forged alloy steel quenched and tempered
 Safety factor : 5 times
 Finish : Painted
 Temperature range : -40°C up to +200°C; Polar Rated
 Standard certification : Certificate of Conformity
 3.1 material certificate EN 10204

Non-standard sizes or custom products available on request



Art. No.	WLL ton	A mm	B mm	C mm	D mm	E mm	L mm	X mm	Y mm	Weight kg
32001209	120	89	95	150	270	200	420	328	504	100
32001508	150	102	108	170	315	230	475	374	586	143
32100115	175	100	110	150	360	220	450	350	625	135
32002009	200	120	125	180	500	260	520	420	813	239
32130140	250	130	140	195	460	280	565	455	795	268
32140152	300	140	150	205	500	300	595	485	855	332
32150164	350	150	160	220	520	320	630	520	910	403
32160170	400	160	170	235	580	340	665	555	965	484
32170180	450	170	180	250	600	360	700	590	1025	576
32180192	500	180	190	265	620	380	735	625	1080	678
32190205	550	190	215	285	665	405	795	665	1165	840

Tolerance: Inside length $\pm 7.5\%$, all other forged parts $\pm 5\%$, machined parts ± 1 mm

GN ROPE FITTINGS

North American Stocking Distributor



8125 Saran Dr. • Playa del Rey, CA 90293
 Phone: 310.448.5444 • Fax: 310.448.5446
 sales@awrrinc.com
 www.AssociatedWireRope.com



GENERAL

SHACKLES

THIMBLES

SOCKETS

LINKS

SWIVELS

HOOKS

MOORING

SPECIALS