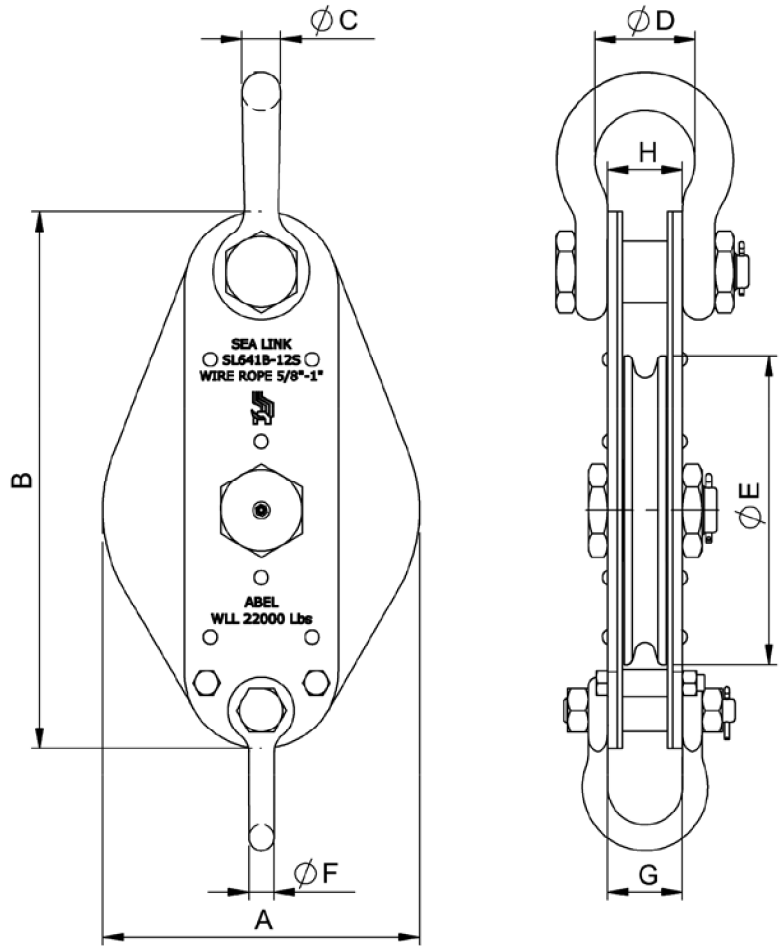


640 Series Extra Heavy Oval Pattern Construction Blocks

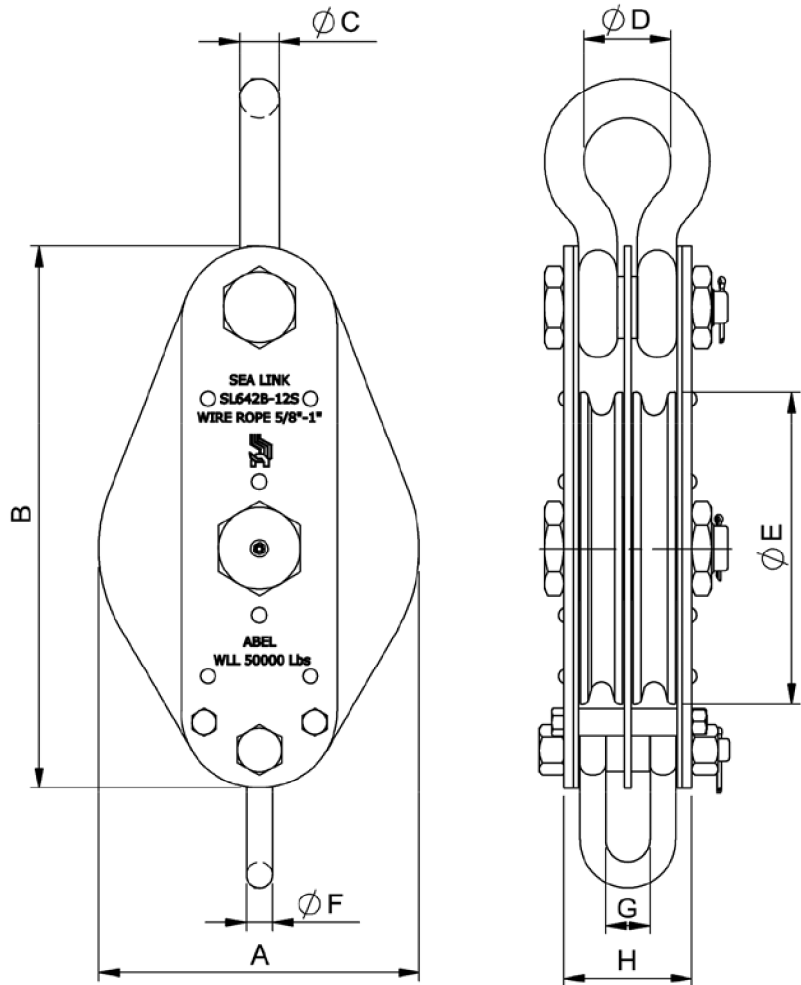




Model Nr.	WLL Lbs	Wire Rope ØR	Dimensions								Weight (Lbs)
			A	B	ØC	ØD	ØE	ØF	G	H	
SL641B-8S	16500	5/8 - 3/4	8.3	14.8	1.1	2.9	8	0.75	2.5	2.5	46
SL641B-10S	22000	5/8 - 7/8	10.3	18.1	1.3	3.1	10	0.87	2.6	2.6	63
SL641B-12S	22000	5/8 - 1	12.3	20.9	1.5	3.9	12	1.0	2.9	2.9	95
SL641B-14S	22000	3/4 - 7/8	14.5	24.0	1.5	3.9	14	1.12	3.5	3.5	139
SL641B-14S	30000	3/4 - 1	14.5	24.0	1.5	3.9	14	1.12	3.5	3.5	139
SL641B-16S	33000	3/4 - 1	16.5	28.0	1.8	3.9	16	1.25	3.7	3.7	188

- Blocks built to 4:1 Design Factor.
- Blocks made with Bronze Bushed sheaves to SAE64 specifications.
- All accessories are forged.
- Dimensions shown represent current models and are subject to change.
- Blocks shown are standard models.
- Custom models available upon request.

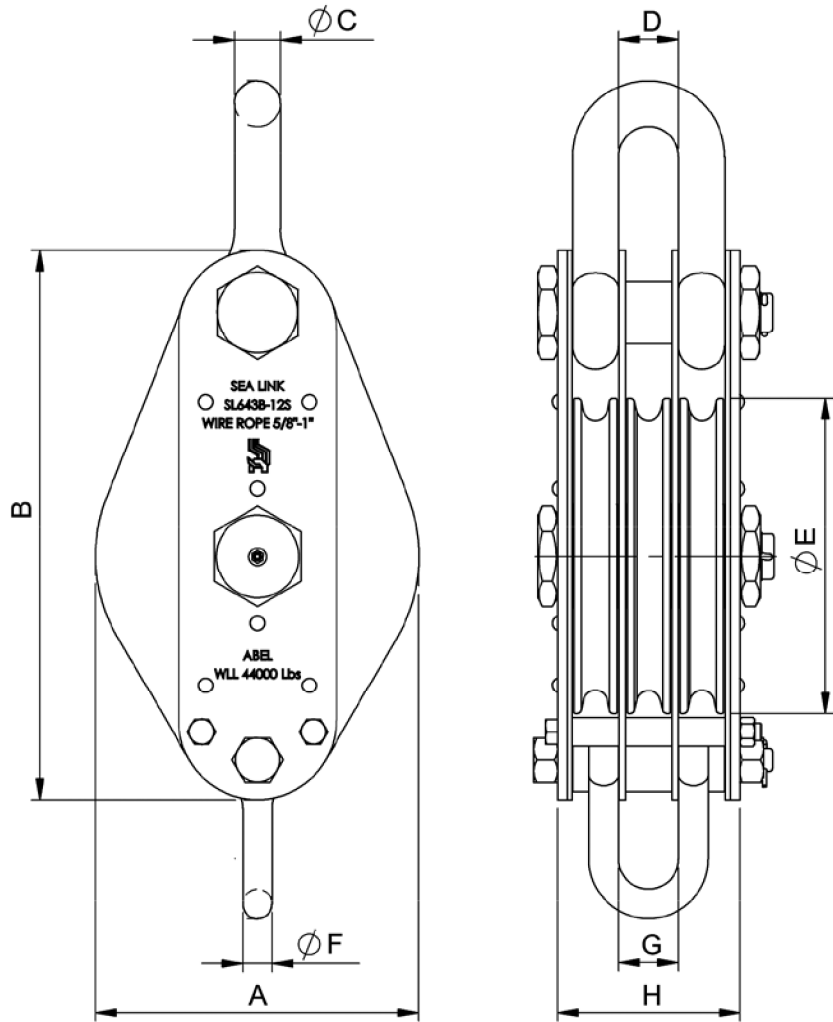
See our warnings & application instructions



Model Nr.	WLL Lbs	Wire Rope ØR	Dimensions								Weight (Lbs)
			A	B	ØC	ØD	ØE	ØF	G	H	
SL642B-8S	27500	5/8 - 3/4	8.3	14.8	1.25	2.9	8	0.87	1.7	4.4	64
SL642B-10S	44000	5/8 - 7/8	10.3	18.1	1.75	3.9	10	1.0	1.7	5.2	114
SL642B-12S	50000	5/8 - 1	12.3	20.9	1.75	3.9	12	1.12	1.6	5.2	135
SL642B-14S	50000	3/4 - 1	14.5	24.0	1.75	3.9	14	1.12	2.3	5.7	198
SL642B-16S	55000	3/4 - 1	16.5	28.0	1.75	3.9	16	1.12	3.0	6.4	205

- Blocks built to 4:1 Design Factor.
- Blocks made with Bronze Bushed sheaves to SAE64 specifications.
- All accessories are forged.
- Dimensions shown represent current models and are subject to change.
- Blocks shown are standard models.
- Custom models available upon request.

See our warnings & application instructions



Model Nr.	WLL Lbs	Wire Rope	Dimensions								Weight (Lbs)
			ØR	A	B	ØC	D	ØE	ØF	G	
SL643B-8S	27500	5/8 - 3/4	8.3	14.8	1.25	2.8	8	0.87	2.0	6.5	81
SL643B-10S	44000	5/8 - 7/8	10.3	18.1	1.75	2.2	10	1.12	2.3	6.9	145
SL643B-12S	44000	5/8 - 1	12.3	20.9	1.75	2.3	12	1.12	2.3	6.9	180
SL643B-14S	66000	3/4 - 1	14.5	24.0	2.0	3.1	14	1.25	2.8	8.5	275
SL643B-14S	70000	3/4 - 1	14.5	24.0	2.0	3.1	14	1.25	2.8	8.5	275
SL643B-16S	70000	3/4 - 1	16.5	28.0	2.0	3.9	16	1.25	3.0	9.1	345

- Blocks built to 4:1 Design Factor.
- Blocks made with Bronze Bushed sheaves to SAE64 specifications.
- All accessories are forged.
- Dimensions shown represent current models and are subject to change.
- Blocks shown are standard models.
- Custom models available upon request.

See our warnings & application instructions