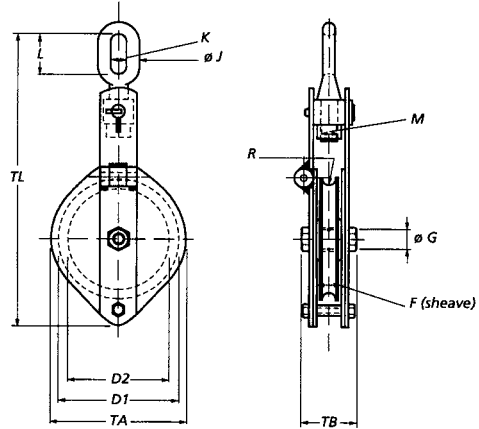


# Snatch Blocks Self Locking

Can also be delivered with:



Stock No.	WLL (t)	Wire up to (mm)	Dimensions (mm)											Weight (kg)	
			D1	D2	F	ØG	ØJ	K	L	M	R	TA	TB		TL
12.125.01.10	1	10	125	105	27	22	16	26	58	18	5.5	135	80	316	4.5
12.150.02.10	2	12	150	120	40	30	16	26	58	24	6.5	170	100	391	8
12.200.03.10	3	14	200	165	40	30	21	32	72	30	7.5	220	100	483	12.5
12.250.04.10	4	18	250	210	45	35	26	40	94	33	9.5	270	110	614	21
12.300.06.10	6	20	300	255	50	40	29	45	108	42	11	320	125	698	33
12.350.08.10	8	22	350	305	60	45	32	49	115	45	12	380	150	777	48
12.400.10.10	10	24	400	345	65	50	36	54	125	52	13	430	170	870	68
12.400.12.10	12	24	400	345	65	55	41	60	144	56	13	430	170	896	83
12.400.16.10	16	28	400	345	70	60	46	66	163	64	15	430	180	950	95
12.450.16.10	16	30	450	390	70	70	46	66	163	64	16	480	180	980	106
12.400.20.10	20	30	400	345	70	70	51	72	173	72	16	430	200	990	122
12.450.20.10	20	32	450	390	70	70	51	72	173	72	17	480	200	1020	130
12.450.25.10	25	36	450	390	80	80	60	80	195	76	19.5	480	224	1045	150
12.450.30.10	30	36	450	390	85	90	60	90	220	80	19.5	480	227	1220	190
12.550.40.13	40	42	550	495	115	120	-	96	96	90	22.5	580	240	1140	250

Minimum Ultimate Strength = 4 x WLL.

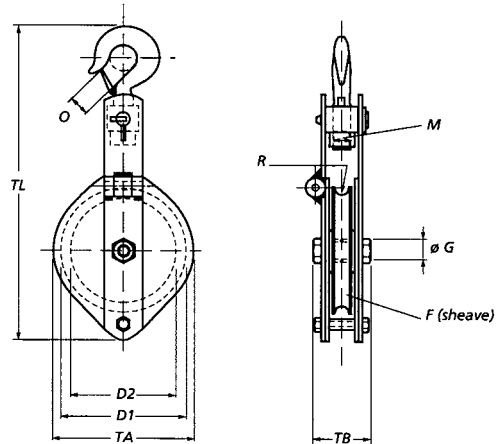
WLL= Working Load Limit on head fitting.

- Snatch blocks can be supplied with becket, the last digit of the stock number should be 1 (instead of 0).
- Standard supplied with bronze bearings. • Other bearings available on request.
- Standard supplied with swivel oval eye up to 30 tons, for over 30 tons with swivel stud eye.
- Snatch blocks of 1 ton and over 30 tons are provided with a fixed trunnion and locking pin.
- Snatch blocks can be supplied with swivel hook, swivel stud eye or swivel jaw.
- Groove in sheave may be adjusted to other wire rope diameters.

**WARNING!** These snatch blocks should never be used as lower block for hoisting.

# Snatch Blocks Self Locking with Hook

Can also be delivered with:



Stock No.	WLL (t)	Wire up to (mm)	Dimensions (mm)										Weight (kg)
			D1	D2	F	ØG	M	O	R	TA	TB	TL	
12.150.02.14	2	12	150	120	40	30	24	35	6.5	170	100	425	8
12.200.03.14	3	14	200	165	40	30	30	42	7.5	220	100	560	12.5
12.250.04.14	4	18	250	210	45	35	33	42	9.5	270	110	655	21

Minimum Ultimate Strength = 4 x WLL.

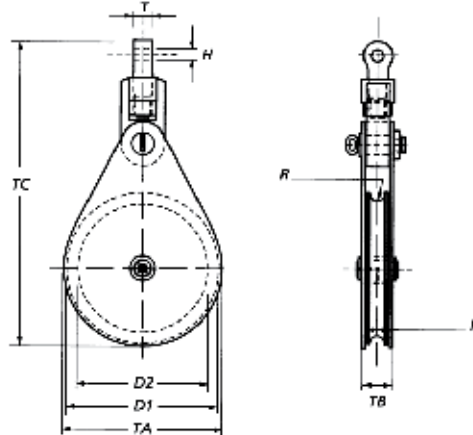
WLL= Working Load Limit on head fitting.

- Groove in sheave may be adjusted to other wire rope diameters.
- Standard supplied with bronze bearings. Other bearings available on request.
- Snatch blocks may be supplied with becket.

**WARNING!:** These snatch blocks should never be used as lower block for hoisting.

# Snatch Blocks HL Series

Can also be delivered with:



Stock No.	WLL (t)	Wire up to (mm)	Bearing	Dimensions (mm)									Weight (kg)
				D1	D2	F	H	R	T	TA	TB	TC	
12.008.20.03	20	26 - 28	RB	200	150	70	52	14.5	70	212	96	751	70
12.008.20.13	20	26 - 28	BB	200	150	70	52	14.5	70	212	96	751	70
12.010.20.03	20	26 - 28	RB	250	190	70	52	14.5	70	262	96	801	81
12.010.20.13	20	26 - 28	BB	250	190	70	52	14.5	70	262	96	801	81
12.012.20.03	20	26 - 28	RB	300	240	70	52	14.5	70	312	96	851	95
12.012.20.13	20	26 - 28	BB	300	240	70	52	14.5	70	312	96	851	95
12.014.20.03	20	26 - 28	RB	350	290	70	52	14.5	70	362	96	901	100
12.014.20.13	20	26 - 28	BB	350	290	70	52	14.5	70	362	96	901	100
12.016.20.03	20	26 - 28	RB	400	340	70	52	14.5	70	412	96	951	110
12.016.20.13	20	26 - 28	BB	400	340	70	52	14.5	70	412	96	951	110
12.018.30.03	30	28 - 32	RB	450	390	80	60	16.5	80	462	112	1121	155
12.018.30.13	30	28 - 32	BB	450	390	80	60	16.5	80	462	112	1121	155
12.020.30.03	30	28 - 32	RB	500	430	80	60	16.5	80	512	112	1171	180
12.020.30.13	30	28 - 32	BB	500	430	80	60	16.5	80	512	112	1171	180
12.024.30.03	30	28 - 32	RB	600	520	80	60	16.5	80	612	112	1271	250
12.024.30.13	30	28 - 32	BB	600	520	80	60	16.5	80	612	112	1271	250

Minimum Ultimate Strength = 4 x WLL.

WLL= Working Load Limit on head fitting.

RB= Roller bearing.

BB= Bronze bushing.

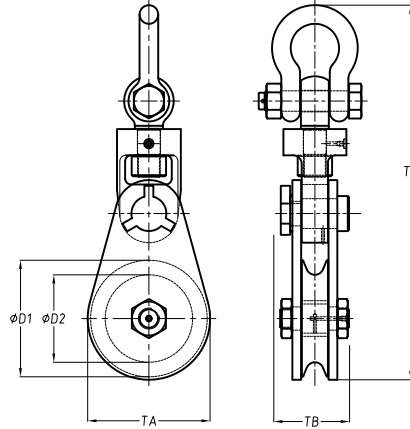
• Groove in sheave may be adjusted to other wire rope diameters.



SEE OUR WARNINGS AND APPLICATION INSTRUCTIONS



# Snatch Blocks S Series with Shackle



Stock No.	WLL (t)	Wire		Dimensions (mm)					Bearing type	Weight (kg)
		(mm)	(inches)	ØD1	ØD2	TA	TB	TC		
12.103.02.15	2	7 - 9	$\frac{9}{32} - \frac{3}{8}$	75	58	82	70	290	BB	4
12.104.04.15	4	10 - 12	$\frac{3}{8} - \frac{1}{2}$	115	90	120	70	358	BB	6
12.106.04.15	4	16 - 19	$\frac{5}{8} - \frac{3}{4}$	150	120	160	70	432	BB	14
12.106.08.15	8	19 - 22	$\frac{3}{4} - \frac{7}{8}$	150	120	160	93	497	RB	15
12.108.08.15	8	19 - 22	$\frac{3}{4} - \frac{7}{8}$	200	165	210	93	550	RB	16
12.110.10.15	10	24 - 26	1	250	205	260	115	681	RB	38
12.110.12.15	12	24 - 26	1	250	205	260	115	683	RB	42
12.112.12.15	12	24 - 26	1	300	250	310	133	767	RB	56
12.108.15.15	15	22 - 24	$\frac{7}{8} - \frac{15}{16}$	200	165	210	102	663	RB	24
12.112.15.15	15	24 - 26	1	300	250	310	133	788	RB	65
12.114.22.15	22	28 - 32	$1\frac{1}{8} - 1\frac{1}{4}$	355	305	365	140	962	RB	90
12.116.22.15	22	28 - 32	$1\frac{1}{8} - 1\frac{1}{4}$	405	350	415	140	1019	RB	108
12.118.22.15	22	28 - 32	$1\frac{1}{8} - 1\frac{1}{4}$	450	395	465	180	1069	RB	120
12.112.30.15	30	28 - 30	$1\frac{1}{8} - 1\frac{3}{16}$	300	245	310	193	1023	RB	125
12.116.30.15	30	32 - 35	$1\frac{1}{4} - 1\frac{3}{8}$	405	350	415	155	1121	RB	135
12.120.30.15	30	32 - 35	$1\frac{1}{4} - 1\frac{3}{8}$	508	440	514	162	1256	RB	210
12.114.35.15	35	32 - 35	$1\frac{1}{4} - 1\frac{3}{8}$	350	280	365	193	1058	RB	130
12.124.50.15	50	46 - 50	$1\frac{13}{16} - 2$	600	500	625	275	1525	RB	418

Minimum Ultimate Strength = 4 x WLL.

WLL= Working Load Limit on head fitting.  
RB= Roller bearing.  
BB= Bronze bushing.



SEE OUR WARNINGS AND APPLICATION INSTRUCTIONS