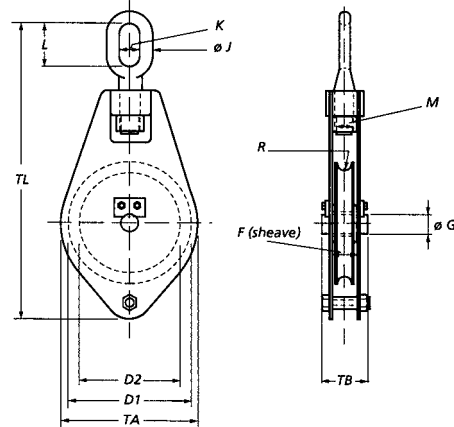


Samson Wire Rope Blocks 1 sheave

Can also be delivered with:



Stock No.	WLL (t)	Wire up to (mm)	No of Sheav.	Dimensions (mm)												Weight (kg)
				D1	D2	F	ØG	ØJ	K	L	M	R	TA	TB	TL	
11.100.00.10	0.75	8	1	100	80	20	15	12	21	48	16	4.5	110	45	275	2
11.125.01.10	1	10	1	125	105	27	22	16	26	58	18	5.5	135	52	336	3
11.150.02.10	2	12	1	150	120	40	30	16	26	58	24	6.5	170	74	407	6
11.200.03.10	3	14	1	200	165	40	30	21	32	72	30	7.5	220	74	500	10
11.250.04.10	4	18	1	250	210	45	35	26	40	94	33	9.5	270	81	608	18
11.300.06.10	6	20	1	300	255	50	40	29	45	108	42	11	320	88	706	27
11.350.08.10	8	22	1	350	305	50	45	32	49	114	45	12	380	92	778	44
11.350.10.10	10	22	1	350	305	60	50	36	54	125	52	12	380	110	795	50
11.400.10.10	10	24	1	400	345	60	50	36	54	125	52	13	430	110	848	60
11.350.12.10	12	22	1	350	305	60	50	41	60	144	56	12	380	114	821	59
11.400.12.10	12	24	1	400	345	60	60	41	60	144	56	13	430	118	926	75
11.350.16.10	16	22	1	350	305	60	50	46	66	163	64	12	380	114	879	69
11.400.16.10	16	24	1	400	345	60	60	46	66	163	64	13	430	118	959	81
11.400.20.10	20	24	1	400	345	60	60	51	72	173	72	13	430	118	990	97
11.450.20.10	20	28	1	450	390	70	70	51	72	173	72	15	480	128	1046	109
11.450.25.10	25	28	1	450	390	70	70	60	80	195	76	15	480	128	1105	130
11.450.30.10	30	36	1	450	390	70	70	60	90	220	80	19.5	480	134	1145	150

Minimum Ultimate Strength = 4 x WLL.

WLL= Working Load Limit on head fitting.

- All blocks up to 30 tons are standard supplied with swivel oval eye, for over 30 tons with swivel stud eye.
- All blocks can be supplied with swivel hook, swivel stud eye or swivel jaw.
- For ordering wire rope blocks with becket, the last digit of the stock number should be 1 (instead of 0).
- Standard supplied with bronze bearings. • Other bearings available on request.
- Groove in sheave may be adjusted to other wire rope diameters.

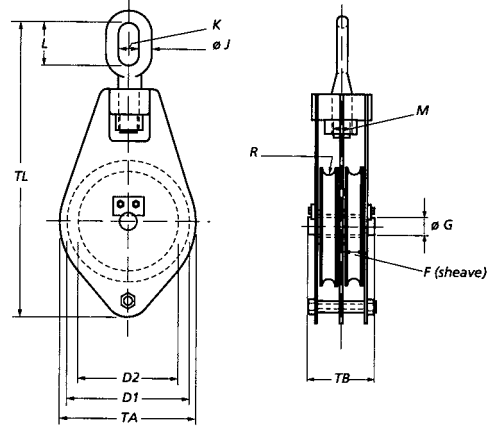


SEE OUR WARNINGS AND APPLICATION INSTRUCTIONS



Samson Wire Rope Blocks 2 sheaves

Can also be delivered with:



Stock No.	WLL (t)	Wire up to (mm)	No of Sheav.	Dimensions (mm)												Weight (kg)
				D1	D2	F	ØG	ØJ	K	L	M	R	TA	TB	TL	
11.100.01.20	1	8	2	100	80	20	15	16	26	58	18	4.5	110	70	295	4
11.125.02.20	1.5	10	2	125	105	27	22	16	26	58	24	5.5	135	85	336	6
11.150.03.20	3	12	2	150	120	40	30	21	32	72	30	6.5	170	120	430	11
11.200.04.20	4	14	2	200	165	40	30	26	40	94	33	7.5	220	120	538	18
11.250.06.20	6	18	2	250	210	45	35	29	45	108	42	9.5	270	133	624	32
11.300.08.20	8	20	2	300	255	50	40	32	49	114	45	11	320	146	713	43
11.350.10.20	10	22	2	350	305	50	45	36	54	125	52	12	380	152	569	74
11.350.12.20	12	22	2	350	305	60	50	41	60	144	56	12	380	186	821	81
11.400.12.20	12	24	2	400	345	60	50	41	60	144	56	13	430	180	893	102
11.350.16.20	16	22	2	350	305	60	50	46	66	163	64	12	380	186	879	98
11.400.16.20	16	24	2	400	345	60	60	46	66	163	64	13	430	192	959	126
11.350.20.20	20	22	2	350	305	60	50	51	72	173	72	12	380	186	896	116
11.400.20.20	20	24	2	400	345	60	60	51	72	173	72	13	430	192	976	146
11.400.25.20	25	24	2	400	345	60	60	60	80	195	76	13	430	192	1065	169
11.450.25.20	25	28	2	450	390	70	70	60	80	195	76	15	480	221	1120	190
11.400.30.20	30	24	2	400	345	60	60	60	90	220	80	13	430	192	1095	184
11.450.30.20	30	28	2	450	390	70	70	60	90	220	80	15	480	236	1150	204
11.450.40.20	40	28	2	450	390	70	70	-	96	96	90	15	480	236	1030	225

Minimum Ultimate Strength = 4 x WLL.

WLL= Working Load Limit on head fitting.

- All blocks up to 30 tons are standard supplied with swivel oval eye, for over 30 tons with swivel stud eye.
- All blocks can be supplied with swivel hook, swivel stud eye or swivel jaw.
- For ordering wire rope blocks with becket, the last digit of the stock number should be 1 (instead of 0).
- Standard supplied with bronze bearings. • Other bearings available on request.
- Groove in sheave may be adjusted to other wire rope diameters.

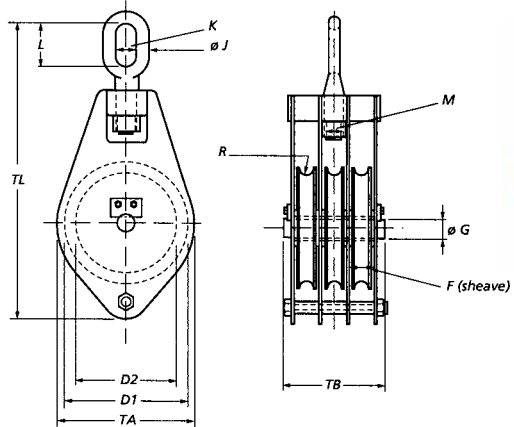


SEE OUR WARNINGS AND APPLICATION INSTRUCTIONS



Samson Wire Rope Blocks 3 sheaves

Can also be delivered with:



Stock No.	WLL (t)	Wire up to (mm)	No of Sheav.	Dimensions (mm)												Weight (kg)
				D1	D2	F	ØG	ØJ	K	L	M	R	TA	TB	TL	
11.125.02.30	2	10	3	125	105	27	22	16	26	58	24	5.5	135	120	336	9
11.150.04.30	4	12	3	150	120	40	30	26	40	94	33	6.5	170	166	468	17
11.200.06.30	6	14	3	200	165	40	30	29	45	108	42	7.5	220	166	556	28
11.250.08.30	8	18	3	250	210	45	35	32	49	114	45	9.5	270	185	633	46
11.300.10.30	10	20	3	300	255	50	40	36	54	125	52	11	320	204	733	69
11.350.12.30	12	22	3	350	305	50	45	41	60	144	56	12	380	212	823	99
11.350.16.30	16	24	3	350	305	60	50	46	66	163	64	13	380	258	880	120
11.400.16.30	16	24	3	400	345	60	50	46	66	163	64	13	430	250	927	157
11.350.20.30	20	24	3	350	305	60	50	51	72	173	72	13	380	258	896	143
11.400.20.30	20	24	3	400	345	60	60	51	72	173	72	13	430	266	1006	184
11.350.25.30	25	24	3	350	305	60	50	60	80	195	76	13	380	266	955	170
11.400.25.30	25	24	3	400	345	60	60	60	80	195	76	13	430	266	1065	198
11.450.25.30	25	28	3	450	390	70	70	60	80	195	76	15	480	296	1120	220
11.400.30.30	30	28	3	400	345	60	60	60	90	220	80	15	430	266	1095	215
11.450.30.30	30	28	3	450	390	70	70	60	90	220	80	15	480	296	1140	255
11.400.40.30	40	28	3	400	345	60	60	-	96	96	90	15	430	278	945	250
11.450.40.30	40	28	3	450	390	70	70	-	96	96	90	15	480	308	1030	295
11.450.50.30	50	28	3	450	390	70	75	-	106	106	100	15	480	338	1055	335

Minimum Ultimate Strength = 4 x WLL.

WLL= Working Load Limit on head fitting.

- All blocks up to 30 tons are standard supplied with swivel oval eye, for over 30 tons with swivel stud eye.
- All blocks can be supplied with swivel hook, swivel stud eye or swivel jaw.
- For ordering wire rope blocks with becket, the last digit of the stock number should be 1 (instead of 0).
- Standard supplied with bronze bearings. • Other bearings available on request.
- Groove in sheave may be adjusted to other wire rope diameters.



SEE OUR WARNINGS AND APPLICATION INSTRUCTIONS

