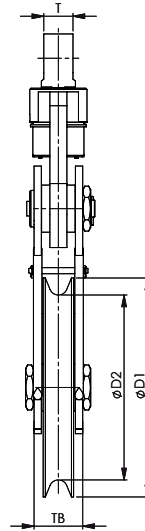
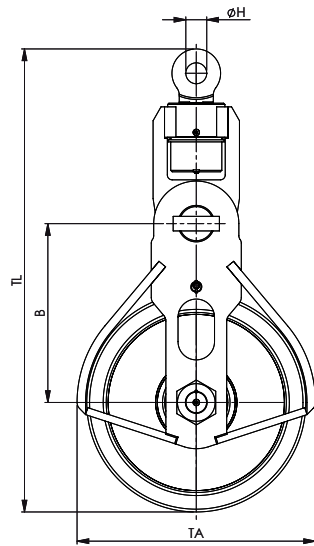


High Capacity Light Weight Blocks

light weight tilt-up blocks



- Hook
- Clevis
- Tailbord
- Oblong eye

Model Nr.	WLL	For wire ϕd	Dimensions (inch)							Weight (lbs)	
	UStons	inch	$\phi D1$	$\phi D2$	B	ϕH	T	TA	TB		TL
HCLW 240.28.1.25.S	27.5	1 - 1 1/8	11.8	9.4	10.2	1.6	2.1	14.0	4.0	28.7	155
HCLW 355.32.1.27.S	30	1 1/8 - 1 1/4	16.5	14.0	14.8	1.7	2.2	18.7	4.4	39.1	265
HCLW 355.36.1.32.S	35	1 1/4 - 1 3/8	16.5	14.0	14.8	1.7	2.2	18.7	4.8	39.1	265
HCLW 430.32.1.27.S	30	1 1/8 - 1 1/4	19.5	16.9	16.3	1.7	2.2	21.7	4.4	42.2	240
HCLW 430.32.1.32.S	35	1 1/8 - 1 1/4	19.5	16.9	16.3	1.7	2.2	21.7	4.8	42.1	285
HCLW 430.38.1.32.S	35	1 1/4 - 1 1/2	19.5	16.9	16.3	1.7	2.2	21.7	4.8	42.1	255
HCLW 430.38.1.40.S	45	1 1/4 - 1 1/2	19.5	16.9	16.3	2.0	2.8	21.7	4.8	43.6	320
HCLW 520.38.1.55.S	60	1 1/4 - 1 1/2	23.4	20.5	19.1	2.8	3.9	25.6	5.2	51.9	420
HCLW 520.44.1.55.S	60	1 1/4 - 1 3/4	23.4	20.5	19.1	2.3	3.1	25.6	5.2	51.5	420
HCLW 520.52.1.55.S	60	1 3/4 - 2	23.4	20.5	19.1	2.3	3.1	25.6	5.2	51.5	420
HCLW 630.58.1.81.S	90	2 - 2 1/4	28.0	24.8	22.6	2.9	3.9	30.6	6.0	62.4	880
HCLW 630.64.1.81.S	90	2 1/4 - 2 1/2	28.0	24.8	22.6	2.9	3.9	30.6	6.0	62.4	880
HCLW 760.70.1.100.S	110	2 1/2 - 2 3/4	35.4	29.9	28.9	3.4	4.7	38.6	7.9	74.9	1200
HCLW 760.76.1.100.S	110	2 3/4 - 3	35.4	29.9	28.9	3.4	4.7	38.6	7.9	74.9	1200
HCLW 760.76.1.125.S	137.5	2 3/4 - 3	35.4	29.9	28.9	3.3	4.7	38.6	7.9	74.4	1320
HCLW 760.76.1.137.5.S	150	2 3/4 - 3	35.4	29.9	28.9	3.3	4.7	38.6	7.9	74.4	1540

Minimum Ultimate Strength = 4 x WLL.

- The dimensions in this table are indicative only. A drawing will always be submitted prior to production and will be the leading document when discussing dimensions.
- Blocks shown here are standard models; inquiries for custom versions are welcome.
- Refer to wire rope manufacturers D/d ratio guideline.



SEE OUR WARNINGS AND APPLICATION INSTRUCTIONS

