

Construction segment

Fast Reeve crane Blocks

Blocks shown in this section may be used on a wide variety of land based cranes such as mobile and crawler cranes. The Fast Reeve Blocks are an excellent choice for your lifting application where frequent block change is required and includes the following standard features:

- Design Factor of Safety of 4:1
- Double sealed maintenance free roller bearings
- Forged high tensile steel DIN hooks
- Ductile iron sheaves, featuring graphite lubricated groove
- High impact resistant side plates
- Operational temperature range: -40 up to +80 °C / -40 up to +176 °F
- Lubrication on hook suspension
- 4 or 8 point hook locking device
- Fast Reeve guides for fast reeving
- C3M finish in signal yellow with black striping
- Safety latch with locking pin

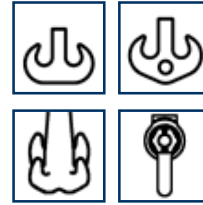
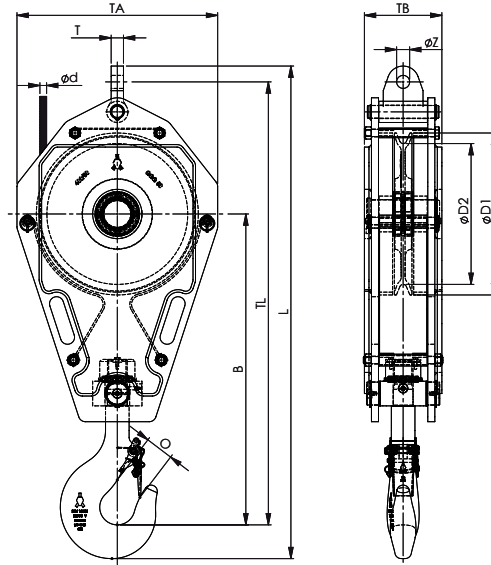
Please contact your sales representative for more details

Recommended finish

Segment / application	ISO 12944 classification	Classification description	Expected protection duration	DFT (µm)
Construction	C2M	Slightly polluted atmosphere, predominately agriculture areas	5 to 15 year	120
Construction	C3M	Industrial and residential air pollution levels, with an average sulfurdioxide (IV) contamination level. Coastal areas with low salt content in air	2 to 5 year	120
Construction	C3M	Industrial and residential air pollution levels, with an average sulfurdioxide (IV) contamination level. Coastal areas with low salt content in air	5 to 15 year	160
Cargo handling	C3M	Industrial and residential air pollution levels, with an average sulfurdioxide (IV) contamination level. Coastal areas with low salt content in air	5 to 15 year	160
Cargo handling	C4H	Industrial areas and coastal areas with average salt content in air	more than 15 year	280
Cargo handling	C5-MM	Coastal areas and open sea with high salt content in air	5 to 15 year	280
Offshore	C4H	Industrial areas and coastal areas with average salt content in air	more than 15 year	300
Offshore	C5-MM	Coastal areas and open sea with high salt content in air	5 to 15 year	300
Offshore	C5-MH	Coastal areas and open sea with high salt content in air	more than 15 year	320
Offshore	NORSOK sys. 1*	Open sea with high salt content in air	more than 15 year	300

Fast Reeve crane Blocks

1 sheave >>



- Double hook
- Double hook with shackle hole
- Quad hook
- Shackle stud eye

Model Nr.	WLL	For wire ød inch	Dimensions (inch)										Weight lbs
	UStons		øD1	øD2	B	O	TA	TB	TL	L	T	øZ	
FRB 225.xx.1.12.5.E	13.75	3/8 - 5/16	10.2	8.9	23.1	2.2	13.6	6.7	34.0	38.2	TBD	TBD	195
FRB 260.xx.1.12.5.E	13.75	7/16 - 5/8	11.8	10.2	25.7	2.2	15.7	6.1	36.9	41.9	TBD	TBD	220
FRB 225.xx.1.16.E	17.6	3/8 - 9/16	10.2	8.9	23.9	2.8	13.6	7.1	34.8	39.7	TBD	TBD	225
FRB 260.xx.1.16.E	17.6	7/16 - 5/8	11.8	10.2	27.3	2.8	15.7	6.5	38.5	43.4	TBD	TBD	265
FRB 285.xx.1.16.E	17.6	1/2 - 3/4	12.6	11.2	28.5	2.8	16.5	6.5	40.3	45.2	TBD	TBD	350
FRB 355.xx.1.16.E.A	17.6	9/16 - 7/8	16.1	14.0	31.0	2.8	19.7	7.7	44.6	49.7	TBD	TBD	400
FRB 355.xx.1.16.E.B	17.6	9/16 - 7/8	16.1	14.0	31.0	2.8	19.7	8.5	44.6	49.7	TBD	TBD	500
FRB 260.xx.1.20.E	22	7/16 - 5/8	11.8	10.2	29.4	3.1	15.7	6.5	40.7	46.0	TBD	TBD	285
FRB 285.xx.1.20.E	22	1/2 - 3/4	12.6	11.2	30.6	3.1	16.5	6.5	42.4	47.8	TBD	TBD	350
FRB 320.xx.1.20.E	22	9/16 - 3/4	14.4	12.6	30.2	3.1	17.7	7.1	43.3	48.7	TBD	TBD	350
FRB 355.xx.1.20.E.A	22	9/16 - 7/8	16.1	14.0	33.6	3.1	19.7	8.9	47.2	52.7	TBD	TBD	550
FRB 355.xx.1.20.E.B	22	9/16 - 7/8	16.1	14.0	33.6	3.1	19.7	8.9	47.2	52.7	TBD	TBD	660
FRB 400.xx.1.25.E.A	27.5	5/8 - 1	18.1	15.7	34.8	3.1	22.4	8.7	49.5	55.0	TBD	TBD	630
FRB 400.xx.1.25.E.B	27.5	5/8 - 1	18.1	15.7	34.8	3.1	22.4	8.7	49.5	55.2	TBD	TBD	700
FRB 400.xx.1.29.E.B	32	5/8 - 1	18.1	15.7	34.8	3.1	22.4	10.6	49.9	55.6	TBD	TBD	800
FRB 450.xx.1.29.E.A	32	3/4 - 1 1/8	20.3	17.7	37.3	3.1	23.6	7.9	51.4	59.3	TBD	TBD	650
FRB 450.xx.1.29.E.B	32	3/4 - 1 1/8	20.3	17.7	37.3	3.1	23.6	9.1	51.4	59.3	TBD	TBD	800
FRB 450.xx.1.32.E.A	35	3/4 - 1 1/8	20.3	17.7	39.5	3.5	23.6	9.8	55.7	61.9	TBD	TBD	1000
FRB 450.xx.1.32.E.B	35	3/4 - 1 1/8	20.3	17.7	39.5	3.5	23.6	13.1	56.1	62.7	TBD	TBD	1320
FRB 450.xx.1.32.E.A	35	3/4 - 1 1/8	20.3	17.7	39.5	3.5	23.6	9.8	56.1	62.7	TBD	TBD	990
FRB 450.xx.1.32.E.B	35	3/4 - 1 1/8	20.3	17.7	39.5	3.5	23.6	13.1	56.1	62.7	TBD	TBD	1300
FRB 528.xx.1.32.E.A	35	7/8 - 1 1/4	23.4	20.8	40.5	3.5	28.0	8.7	58.7	65.3	TBD	TBD	1000
FRB 528.xx.1.32.E.B	35	7/8 - 1 1/4	23.4	20.8	40.5	3.5	28.0	10.6	58.7	65.3	TBD	TBD	1320

Minimum Ultimate Strength = 4 x WLL

NOTE xx = To be replaced by metric wire size in final part number ■ TBD = These dimensions vary with wire size ■ Hook locking pin included on all blocks 40M ton and higher

- The dimensions in this table are indicative only. A drawing will always be submitted prior to production and will be the leading document when discussing dimensions.
- Blocks shown here are standard models; inquiries for custom versions are welcome.
- Refer to wire rope manufacturers D/d ratio guideline.

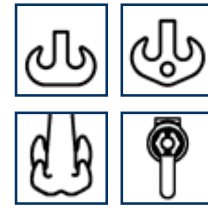
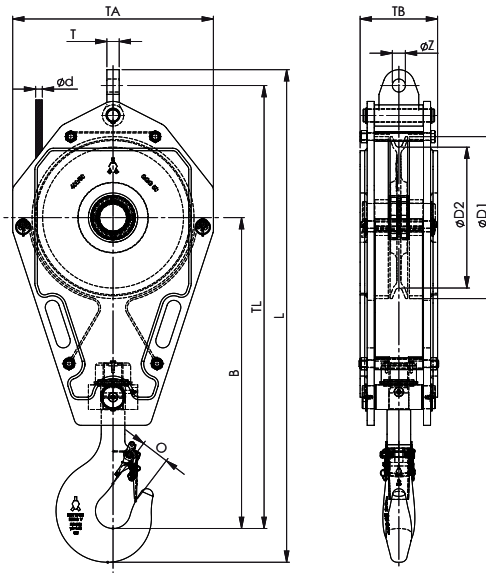


SEE OUR WARNINGS AND APPLICATION INSTRUCTIONS



<< Fast Reeve crane Blocks

1 sheave



- Double hook
- Double hook with shackle hole
- Quad hook
- Shackle stud eye

Model Nr.	WLL	For wire ød inch	Dimensions (inch)										Weight
	UStons		øD1	øD2	B	O	TA	TB	TL	L	T	øZ	lbs
FRB 670.xx.1.32.EA	35	1 - 1 ½	29.9	26.4	41.3	3.5	34.3	7.9	62.7	69.3	TBD	TBD	1000
FRB 670.xx.1.32.EB	35	1 - 1 ½	29.9	26.4	41.3	3.5	34.3	9.4	63.3	70.3	TBD	TBD	1320
FRB 450.xx.1.40.E	45	¾ - 1 ⅛	20.3	17.7	42.3	3.9	23.6	13.1	58.9	65.9	TBD	TBD	1300
FRB 528.xx.1.40.E	45	⅞ - 1 ¼	23.4	20.8	43.9	3.9	28.0	12.7	62.7	69.7	TBD	TBD	1500
FRB 528.xx.1.50.EB	45	⅞ - 1 ¼	23.4	20.8	43.9	3.9	28.0	12.7	62.7	69.7	TBD	TBD	1700
FRB 450.xx.1.50.EA	55	¾ - 1 ⅛	20.3	17.7	43.1	3.9	23.6	13.1	59.6	67.2	TBD	TBD	1300
FRB 450.xx.1.50.EB	55	¾ - 1 ⅛	20.3	17.7	43.1	3.9	23.6	14.3	59.6	67.2	TBD	TBD	1500
FRB 528.xx.1.50.EA	55	⅞ - 1 ¼	23.4	20.8	43.7	3.9	28.0	13.5	62.6	70.1	TBD	TBD	1500
FRB 528.xx.1.50.EC	55	⅞ - 1 ¼	23.4	20.8	43.7	3.9	28.0	15.5	62.6	70.1	TBD	TBD	2000
FRB 575.xx.1.50.EC	55	1 ⅙ - 1 ¼	25.6	22.6	45.0	3.9	30.3	12.3	64.9	72.9	TBD	TBD	2200
FRB 630.xx.1.50.E	55	1 - 1 ⅜	28.0	24.8	46.1	3.9	32.7	12.7	67.6	75.6	TBD	TBD	2200
FRB 670.xx.1.50.EA	55	1 - 1 ½	30.0	26.4	44.1	3.9	34.3	11.1	66.3	73.7	TBD	TBD	1650
FRB 670.xx.1.50.EB	55	1 - 1 ½	30.0	26.4	44.1	3.9	34.3	12.7	66.3	73.7	TBD	TBD	2000
FRB 670.xx.1.50.E-1	55	1 - 1 ½	30.0	26.4	44.1	3.9	34.3	17.4	66.3	73.7	TBD	TBD	2600
FRB 670.xx.1.50.EC	55	1 - 1 ½	30.0	26.4	44.1	3.9	34.3	17.4	66.3	73.7	TBD	TBD	3000
FRB 575.xx.1.64.E	70	1 ⅙ - 1 ¼	25.6	22.6	48.1	4.4	30.3	13.9	68.4	76.6	TBD	TBD	2200
FRB 670.xx.1.64.E	70	1 - 1 ½	29.9	26.4	49.1	4.4	34.3	17.8	71.4	79.3	TBD	TBD	2200
FRB 670.xx.1.64.EB	70	1 - 1 ½	29.9	26.4	49.1	4.4	34.3	17.8	71.4	79.5	TBD	TBD	3000

Minimum Ultimate Strength = 4 x WLL.

NOTE xx = To be replaced by metric wire size in final part number ■ TBD = These dimensions vary with wire size ■ Hook locking pin included on all blocks 40M ton and higher

- The dimensions in this table are indicative only. A drawing will always be submitted prior to production and will be the leading document when discussing dimensions.
- Blocks shown here are standard models; inquiries for custom versions are welcome.
- Refer to wire rope manufacturers D/d ratio guideline.

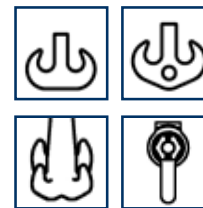
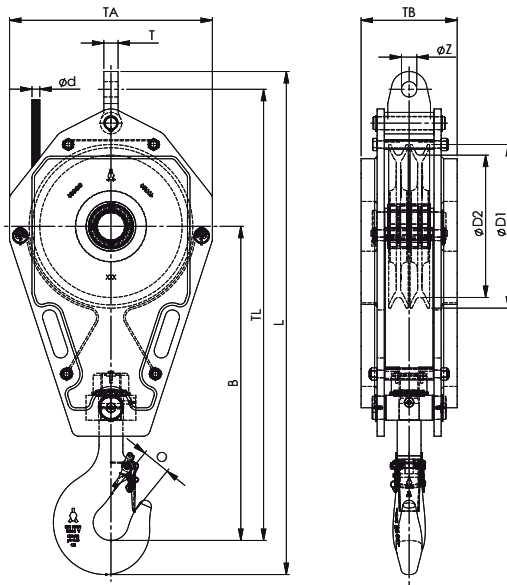


SEE OUR WARNINGS AND APPLICATION INSTRUCTIONS



Fast Reeve crane Blocks

2 sheaves



- Double hook
- Double hook with shackle hole
- Quad hook
- Shackle stud eye

Model Nr.	WLL	For wire ød	Dimensions (inch)										Weight
	UStons	inch	øD1	øD2	B	O	TA	TB	TL	L	T	øZ	lbs
FRB 225.xx.2.16.E	17.6	3/8 - 9/16	10.2	8.9	23.9	2.8	13.6	7.1	34.8	39.7	TBD	TBD	265
FRB 260.xx.2.16.E	17.6	7/16 - 5/8	11.8	10.2	27.3	2.8	15.7	6.5	38.5	43.4	TBD	TBD	285
FRB 260.xx.2.20.E	22	7/16 - 5/8	11.8	10.2	29.4	3.1	15.7	6.5	40.7	46.0	TBD	TBD	285
FRB 285.xx.2.20.E	22	1/2 - 3/4	14.4	11.2	30.6	3.1	16.5	6.5	42.4	47.8	TBD	TBD	350
FRB 320.xx.2.20.E	22	9/16 - 3/4	14.4	12.6	30.2	3.1	17.7	7.1	43.3	48.7	TBD	TBD	350
FRB 320.xx.2.25.EA	27.5	9/16 - 3/4	14.4	12.6	30.0	3.1	17.7	9.1	43.1	48.5	TBD	TBD	450
FRB 320.xx.2.25.EB	27.5	9/16 - 3/4	14.4	12.6	30.0	3.1	17.7	9.1	43.1	48.5	TBD	TBD	495
FRB 355.xx.2.29.E	32	9/16 - 7/8	16.1	14.0	33.4	3.1	19.7	8.9	47.0	52.5	TBD	TBD	585
FRB 400.xx.2.29.E	32	5/8 - 1	18.1	15.7	34.4	3.1	22.4	9.4	49.3	54.8	TBD	TBD	750
FRB 450.xx.2.32.E	35	3/4 - 1 1/8	20.3	17.7	39.5	3.5	23.6	9.8	55.7	61.9	TBD	TBD	1100
FRB 450.xx.2.50.E	55	3/4 - 1 1/8	20.3	17.7	42.3	3.9	23.6	13.1	58.9	65.9	TBD	TBD	1500
FRB 450.xx.2.55.EB	60	3/4 - 1 1/8	20.3	17.7	42.3	4.4	23.6	14.3	58.9	66.5	TBD	TBD	1600
FRB 450.xx.2.55.E	60	3/4 - 1 1/8	20.3	17.7	42.3	4.4	23.6	14.3	58.9	66.5	TBD	TBD	2000
FRB 528.xx.2.70.E	77	7/8 - 1 1/4	23.4	20.8	47.3	4.4	28.0	15.1	65.2	72.8	TBD	TBD	2200
FRB 528.xx.2.82.E	90	7/8 - 1 1/4	23.4	20.8	50.1	4.9	28.0	16.2	68.9	77.6	TBD	TBD	2350
FRB 670.xx.2.100.E	110	1 - 1 1/2	29.9	26.4	52.4	4.9	34.3	19.0	74.7	83.5	TBD	TBD	4930

Minimum Ultimate Strength = 4 x WLL.

NOTE xx = To be replaced by metric wire size in final part number ■ TBD = These dimensions vary with wire size ■ Hook locking pin included on all blocks 40M ton and higher

- The dimensions in this table are indicative only. A drawing will always be submitted prior to production and will be the leading document when discussing dimensions.
- Blocks shown here are standard models; inquiries for custom versions are welcome.
- Refer to wire rope manufacturers D/d ratio guideline.



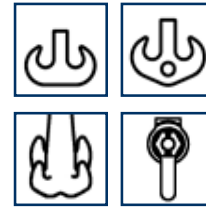
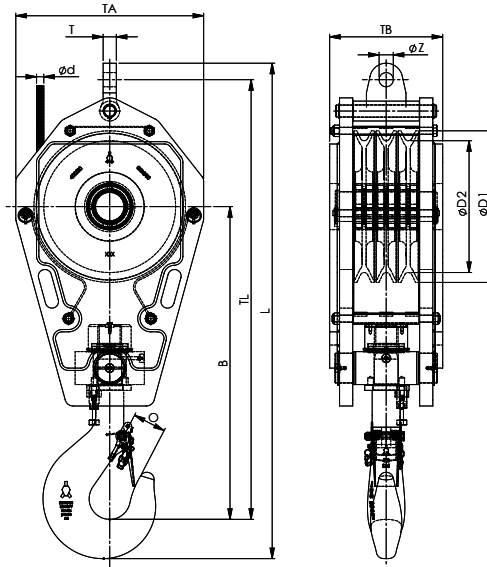
SEE OUR WARNINGS AND APPLICATION INSTRUCTIONS

8125 Saran Dr. • Playa del Rey, CA 90293
 Phone: 310.448.5444 • Fax: 310.448.5446
 sales@awrrinc.com
 www.AssociatedWireRope.com



Fast Reeve crane Blocks

3 sheaves >>



- Double hook
- Double hook with shackle hole
- Quad hook
- Shackle stud eye

Model Nr.	WLL	For wire ød	Dimensions (inch)										Weight
	UStons	inch	øD1	øD2	B	O	TA	TB	TL	L	T	øZ	lbs
FRB 225.xx.3.20.EB	22	3/8 - 1/16	10.2	8.9	28.3	3.1	13.6	7.1	39.1	44.4	TBD	TBD	410
FRB 260.xx.3.20.EB	22	7/16 - 5/8	11.8	10.2	28.5	3.1	15.7	8.7	40.1	45.4	TBD	TBD	410
FRB 260.xx.3.25.E	27.5	7/16 - 5/8	11.8	10.2	27.5	3.1	15.7	10.2	39.1	44.4	TBD	TBD	465
FRB 285.xx.3.29.EB	32	1/2 - 3/4	12.6	11.0	27.7	3.5	16.5	10.2	39.9	45.2	TBD	TBD	460
FRB 320.xx.3.29.EA	32	9/16 - 3/4	14.4	12.6	30.0	3.1	17.7	8.7	43.1	48.5	TBD	TBD	460
FRB 320.xx.3.29.EB	32	9/16 - 3/4	14.4	12.6	30.0	3.1	17.7	9.1	43.1	48.5	TBD	TBD	495
FRB 260.xx.3.32.E	35	7/16 - 5/8	11.8	10.2	28.9	3.5	15.7	9.4	40.5	46.3	TBD	TBD	465
FRB 260.xx.3.32.EA	35	7/16 - 5/8	11.8	10.2	28.9	3.5	15.7	10.4	40.5	46.3	TBD	TBD	525
FRB 285.xx.3.32.EB	35	1/2 - 3/4	12.6	11.0	30.0	3.5	16.5	9.4	42.2	48.0	TBD	TBD	505
FRB 355.xx.3.35.EA	38.5	9/16 - 7/8	16.1	14.0	34.0	3.5	19.7	9.4	47.6	53.5	TBD	TBD	700
FRB 355.xx.3.35.EB	38.5	9/16 - 7/8	16.1	14.0	34.0	3.5	19.7	10.6	47.6	53.5	TBD	TBD	825
FRB 355.xx.3.37.EB	40	9/16 - 7/8	16.1	14.0	34.0	3.5	19.7	11.0	47.6	53.5	TBD	TBD	825
FRB 360.xx.3.40.E	45	5/8 - 7/8	16.5	14.2	35.4	3.9	20.1	13.5	49.4	55.8	TBD	TBD	1000
FRB 400.xx.3.40.E	45	5/8 - 1	18.1	15.7	36.5	3.9	22.4	13.5	52.1	58.5	TBD	TBD	1000
FRB 360.xx.3.50.E	55	5/8 - 7/8	16.5	14.2	35.4	3.9	20.1	15.8	49.4	56.3	TBD	TBD	1200
FRB 400.xx.3.50.EA	55	5/8 - 1	18.1	15.7	37.4	3.9	22.4	13.5	52.1	59.1	TBD	TBD	1100
FRB 400.xx.3.50.EB	55	5/8 - 1	18.1	15.7	37.4	3.9	22.4	13.5	52.1	59.3	TBD	TBD	1200
FRB 360.xx.3.55.EA	60	5/8 - 7/8	16.5	14.2	35.4	3.9	20.1	11.9	49.3	55.8	TBD	TBD	900
FRB 360.xx.3.55.EB	60	5/8 - 7/8	16.5	14.2	35.4	3.9	20.1	15.4	49.3	55.8	TBD	TBD	1200

Minimum Ultimate Strength = 4 x WLL.

NOTE xx = To be replaced by metric wire size in final part number ■ TBD = These dimensions vary with wire size ■ Hook locking pin included on all blocks 40M ton and higher

- The dimensions in this table are indicative only. A drawing will always be submitted prior to production and will be the leading document when discussing dimensions.
- Blocks shown here are standard models; inquiries for custom versions are welcome.
- Refer to wire rope manufacturers D/d ratio guideline.



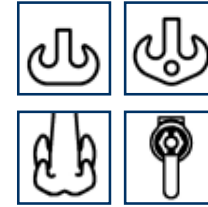
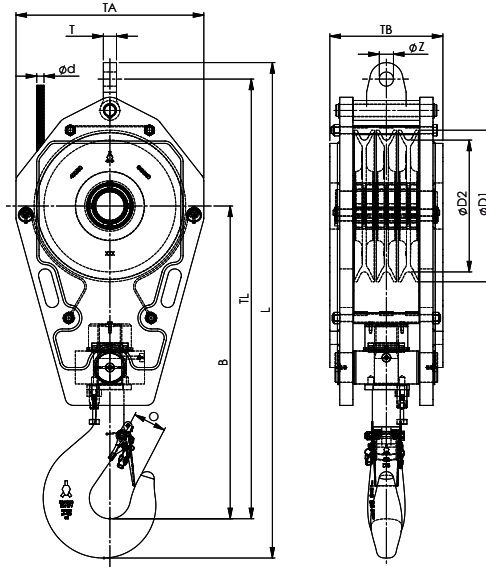
SEE OUR WARNINGS AND APPLICATION INSTRUCTIONS

8125 Saran Dr. • Playa del Rey, CA 90293
 Phone: 310.448.5444 • Fax: 310.448.5446
 sales@awrrinc.com
 www.AssociatedWireRope.com



<< Fast Reeve crane Blocks

3 sheaves



- Double hook
- Double hook with shackle hole
- Quad hook
- Shackle stud eye

Model Nr.	WLL	For wire ød	Dimensions (inch)										Weight
	US tons		inch	øD1	øD2	B	O	TA	TB	TL	L	T	øZ
FRB 400.xx.3.55.EA	60	5/8 - 1	18.1	15.7	37.4	3.9	22.4	13.5	52.1	59.1	TBD	TBD	1100
FRB 400.xx.3.55.EB	55	5/8 - 1	18.1	15.7	37.4	3.9	22.4	13.5	52.1	59.3	TBD	TBD	1200
FRB 450.xx.3.64.EA	70	3/4 - 1 1/8	20.3	17.7	40.9	4.4	23.6	13.1	57.2	64.8	TBD	TBD	1500
FRB 450.xx.3.64.EB	70	3/4 - 1 1/8	20.3	17.7	40.9	4.4	23.6	14.3	57.2	64.8	TBD	TBD	1600
FRB 450.xx.3.70.EA	77	3/4 - 1 1/8	20.3	17.7	41.1	4.4	23.6	13.1	57.4	64.6	TBD	TBD	1500
FRB 450.xx.3.70.EB	77	3/4 - 1 1/8	20.3	17.7	41.1	4.4	23.6	14.3	57.4	64.6	TBD	TBD	1700
FRB 450.xx.3.70.EC	77	3/4 - 1 1/8	20.3	17.7	41.1	4.4	23.6	14.7	57.4	64.6	TBD	TBD	1800
FRB 528.xx.3.70.E	77	7/8 - 1 1/4	23.4	20.8	47.6	4.4	28.0	15.1	65.9	73.5	TBD	TBD	2350
FRB 450.xx.3.82.EA	90	3/4 - 1 1/8	20.3	17.7	46.5	4.9	23.6	15.0	62.8	70.7	TBD	TBD	1800
FRB 450.xx.3.82.EB	90	3/4 - 1 1/8	20.3	17.7	46.5	4.9	23.6	18.2	62.8	70.7	TBD	TBD	2200
FRB 528.xx.3.82.E	90	7/8 - 1 1/4	23.4	20.8	50.1	4.9	28.0	16.2	68.3	76.6	TBD	TBD	2500
FRB 528.xx.3.82.EB	90	7/8 - 1 1/4	23.4	20.8	50.1	4.9	28.0	16.2	68.3	76.6	TBD	TBD	2800
FRB 528.xx.3.100.E	110	7/8 - 1 1/4	23.4	20.8	53.7	5.5	28.0	18.2	71.9	80.9	TBD	TBD	3000
FRB 575.xx.3.100.E	110	1 1/16 - 1 1/4	25.6	22.6	51.3	5.5	30.3	17.0	71.2	80.6	TBD	TBD	3000
FRB 670.xx.3.100.EA	110	1 - 1 1/2	29.9	26.4	55.2	5.5	34.3	14.3	77.5	87.0	TBD	TBD	3000
FRB 670.xx.3.100.EB	110	1 - 1 1/2	29.9	26.4	55.2	5.5	34.3	16.2	77.5	87.0	TBD	TBD	3500
FRB 670.xx.3.100.EC	110	1 - 1 1/2	29.9	26.4	55.2	5.5	34.3	17.8	77.5	87.0	TBD	TBD	4000
FRB 670.xx.3.125.E	137.5	1 - 1 1/2	29.9	26.4	56.2	5.5	34.3	24.5	78.5	87.9	TBD	TBD	6380
FRB 670.xx.3.137.D	150	1 - 1 1/2	29.9	26.4	0.0	6.3	0.0	41.0	0.0	0.0	TBD	TBD	8600

Minimum Ultimate Strength = 4 x WLL.

NOTE xx = To be replaced by metric wire size in final part number ■ TBD = These dimensions vary with wire size ■ Hook locking pin included on all blocks 40M ton and higher

- The dimensions in this table are indicative only. A drawing will always be submitted prior to production and will be the leading document when discussing dimensions.
- Blocks shown here are standard models; inquiries for custom versions are welcome.
- Refer to wire rope manufacturers D/d ratio guideline.

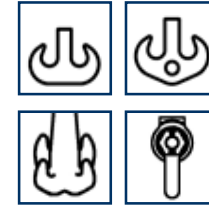
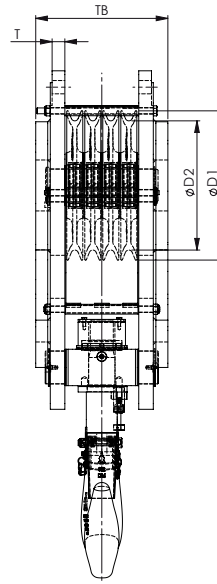
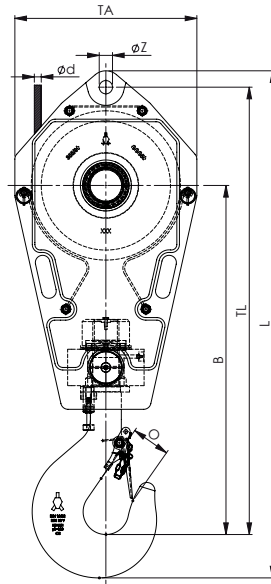


SEE OUR WARNINGS AND APPLICATION INSTRUCTIONS



Fast Reeve crane Blocks

4 sheaves



- Double hook
- Double hook with shackle hole
- Quad hook
- Shackle stud eye

Model Nr.	WLL	For wire ød	Dimensions (inch)										Weight
	UStons	inch	øD1	øD2	B	O	TA	TB	TL	L	T	øZ	lbs
FRB 285.xx.4.35.E	38.5	1/2 - 3/4	12.6	11.2	29.6	3.5	16.5	11.5	41.9	47.6	TBD	TBD	605
FRB 320.xx.4.37.E	40	5/16 - 3/4	14.4	12.6	29.6	3.5	17.7	12.3	39.0	44.8	TBD	TBD	700
FRB 355.xx.4.50.E	55	5/16 - 7/8	16.1	14.0	37.8	3.9	19.7	14.3	48.4	54.8	TBD	TBD	1100
FRB 355.xx.4.55.E	60	5/16 - 7/8	16.1	14.0	37.8	3.9	19.7	14.3	48.4	54.8	TBD	TBD	1100
FRB 400.xx.4.64.E	70	5/8 - 1	18.1	15.7	40.9	4.4	22.4	13.8	52.5	57.7	TBD	TBD	1500
FRB 450.xx.4.64.E	70	3/4 - 1 1/8	20.3	17.7	40.9	4.4	23.6	15.7	57.0	62.2	TBD	TBD	1650
FRB 528.xx.4.64.E	70	7/8 - 1 1/4	23.4	20.8	42.4	4.4	28.0	19.8	57.4	64.8	TBD	TBD	2500
FRB 400.xx.4.70.E	77	5/8 - 1	18.1	15.7	40.9	4.4	22.4	13.8	52.5	57.7	TBD	TBD	1500
FRB 450.xx.4.70.EA	77	3/4 - 1 1/8	20.3	17.7	40.9	4.4	23.6	15.7	57.0	62.2	TBD	TBD	1650
FRB 450.xx.4.70.EB	77	3/4 - 1 1/8	20.3	17.7	43.9	4.4	23.6	18.4	57.1	64.3	TBD	TBD	1800
FRB 450.xx.4.82.E	90	7/8 - 1 1/4	20.3	17.7	46.6	4.9	23.6	20.7	61.7	67.6	TBD	TBD	2200
FRB 528.xx.4.82.E	90	7/8 - 1 1/4	23.4	20.8	50.1	4.9	28.0	20.7	68.3	74.3	TBD	TBD	2800
FRB 450.xx.4.100.E	110	3/4 - 1 1/8	20.3	17.7	49.7	5.5	23.6	24.5	62.9	72.0	TBD	TBD	3200
FRB 528.xx.4.100.EA	110	7/8 - 1 1/4	23.4	20.8	50.7	5.5	28.0	18.6	68.6	75.3	TBD	TBD	2800
FRB 575.xx.4.100.E	110	15/16 - 1 1/4	25.6	22.6	54.3	5.5	30.3	18.2	70.8	79.9	TBD	TBD	3000
FRB 575.xx.4.125.E	137.5	15/16 - 1 1/4	25.6	22.6	55.6	6.3	30.3	17.4	74.5	82.0	TBD	TBD	3000
FRB 575.xx.4.137.5.E	150	15/16 - 1 1/4	25.6	22.6	55.6	6.3	30.3	17.4	72.2	82.1	TBD	TBD	3000
FRB 630.xx.3.137.5.E	150	1 - 1 3/8	28.0	24.8	55.4	6.3	32.7	17.8	73.0	83.3	TBD	TBD	3500
FRB 670.xx.4.160.E	176	1 - 1 1/2	29.9	26.4	63.6	7.1	34.3	26.1	85.9	94.2	TBD	TBD	6930

Minimum Ultimate Strength = 4 x WLL.

NOTE xx = To be replaced by metric wire size in final part number ■ TBD = These dimensions vary with wire size ■ Hook locking pin included on all blocks 40M ton and higher

- The dimensions in this table are indicative only. A drawing will always be submitted prior to production and will be the leading document when discussing dimensions.
- Blocks shown here are standard models; inquiries for custom versions are welcome.
- Refer to wire rope manufacturers D/d ratio guideline.

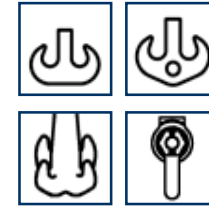
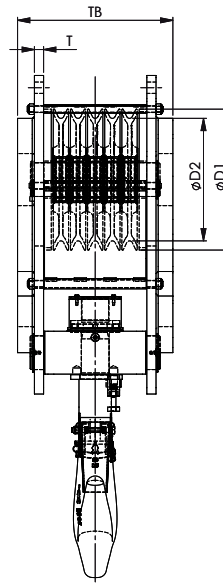
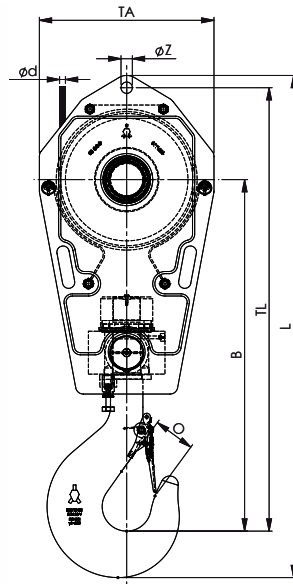


SEE OUR WARNINGS AND APPLICATION INSTRUCTIONS



<< Fast Reeve crane Blocks

5 sheaves



- Double hook
- Double hook with shackle hole
- Quad hook
- Shackle stud eye

Model Nr.	WLL	For wire ød	Dimensions (inch)										Weight
	UStons	inch	øD1	øD2	B	O	TA	TB	TL	L	T	øZ	lbs
FRB 355.xx.5.50.E	55	5/16 - 7/8	16.1	14.0	37.8	3.9	19.7	15.0	48.2	52.8	TBD	TBD	1100
FRB 355.xx.5.55.E	60	5/16 - 7/8	16.1	14.0	37.8	3.9	19.7	15.0	48.2	52.8	TBD	TBD	1100
FRB 355.xx.5.55.E-1	60	5/16 - 7/8	16.1	14.0	37.8	3.9	19.7	15.0	48.2	52.8	TBD	TBD	1280
FRB 360.xx.5.64.E	70	5/8 - 7/8	16.5	14.2	39.3	4.4	20.1	15.4	49.9	56.8	TBD	TBD	1340
FRB 360.xx.5.70.E	77	5/8 - 7/8	16.5	14.2	39.3	4.4	20.1	15.4	49.9	56.8	TBD	TBD	1340
FRB 360.xx.5.82.EB	90	5/8 - 7/8	16.5	14.2	42.6	4.9	20.1	19.0	53.2	59.1	TBD	TBD	1805
FRB 400.xx.5.82.EA	90	5/8 - 1	18.1	15.7	45.2	4.9	22.4	20.0	57.0	62.9	TBD	TBD	1455
FRB 400.xx.5.82.EB	90	5/8 - 1	18.1	15.7	45.2	4.9	22.4	20.0	57.0	62.9	TBD	TBD	1600
FRB 400.xx.5.82.EC	90	5/8 - 1	18.1	15.7	45.2	4.9	22.4	20.0	57.0	62.9	TBD	TBD	1800
FRB 450.xx.5.82.E	90	3/4 - 1 1/8	20.3	17.7	46.8	4.9	23.6	17.2	62.2	68.1	TBD	TBD	1800
FRB 450.xx.5.100.EA	110	3/4 - 1 1/8	20.3	17.7	49.7	5.5	23.6	16.4	62.9	69.6	TBD	TBD	2000
FRB 450.xx.5.100.EB	110	3/4 - 1 1/8	20.3	17.7	49.7	5.5	23.6	20.0	62.9	69.6	TBD	TBD	2510
FRB 528.xx.5.100.EA	110	7/8 - 1 1/4	23.4	20.8	49.9	5.5	28.0	19.2	65.9	74.6	TBD	TBD	2500
FRB 528.xx.5.100.EB	110	7/8 - 1 1/4	23.4	20.8	49.9	5.5	28.0	20.6	65.9	74.6	TBD	TBD	2800
FRB 528.xx.5.125.E	137.5	7/8 - 1 1/4	23.4	20.8	52.5	6.3	28.0	24.5	67.8	75.3	TBD	TBD	3500
FRB 450.xx.5.137.D	150	3/4 - 1 1/8	20.3	17.7	50.8	4.9	23.6	25.3	64.6	72.0	TBD	TBD	3630
FRB 528.xx.5.137.E	150	7/8 - 1 1/4	23.4	20.8	54.4	6.3	28.0	22.5	69.8	79.7	TBD	TBD	3500
FRB 528.xx.5.150.E	165	7/8 - 1 1/4	23.4	20.8	52.5	7.1	28.0	23.7	67.8	76.2	TBD	TBD	4000
FRB 528.xx.5.160.E	176	7/8 - 1 1/4	23.4	20.8	59.1	7.1	28.0	26.1	77.9	86.3	TBD	TBD	4000
FRB 575.xx.5.160.E	176	1 1/16 - 1 1/4	25.6	22.6	62.6	7.1	30.3	23.3	79.2	87.5	TBD	TBD	5500
FRB 575.xx.5.182.E	200	1 1/16 - 1 1/4	25.6	22.6	62.6	7.1	30.3	26.1	79.2	90.2	TBD	TBD	5500
FRB 670.xx.5.160.E	176	1 - 1 1/2	29.9	26.4	62.6	7.1	34.3	22.9	81.1	92.0	TBD	TBD	5500
FRB 670.xx.5.182.E	200	1 - 1 1/2	29.9	26.4	62.6	7.1	34.3	26.1	81.1	92.0	TBD	TBD	5500
FRB 670.xx.5.200.E	220	1 - 1 1/2	29.9	26.4	67.6	7.9	34.3	30.8	86.9	96.1	TBD	TBD	7830

Minimum Ultimate Strength = 4 x WLL.

NOTE xx = To be replaced by metric wire size in final part number ■ TBD = These dimensions vary with wire size ■ Hook locking pin included on all blocks 40M ton and higher

- The dimensions in this table are indicative only. A drawing will always be submitted prior to production and will be the leading document when discussing dimensions.
- Blocks shown here are standard models; inquiries for custom versions are welcome.
- Refer to wire rope manufacturers D/d ratio guideline.

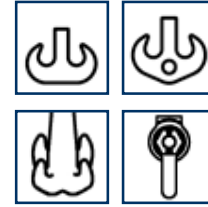
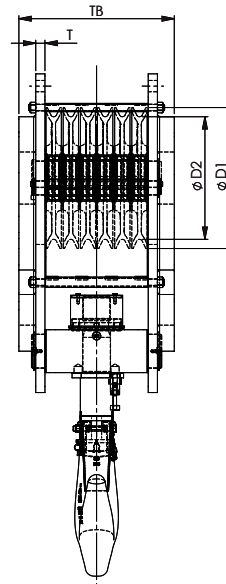
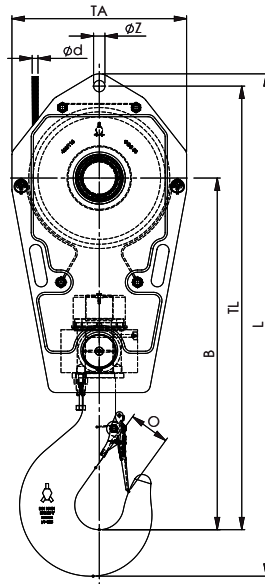


SEE OUR WARNINGS AND APPLICATION INSTRUCTIONS



Fast Reeve crane Blocks

6 sheaves



- Double hook
- Double hook with shackle hole
- Quad hook
- Shackle stud eye

Model Nr.	WLL	For wire ød inch	Dimensions (inch)										Weight
	UStons		øD1	øD2	B	O	TA	TB	TL	L	T	øZ	lbs
FRB 360.xx.6.64.E	70	5/8 - 7/8	16.5	14.2	38.3	4.4	20.1	20.6	48.9	50.3	TBD	TBD	1495
FRB 400.xx.6.64.E	70	5/8 - 1	18.1	15.7	41.9	4.4	22.4	20.0	53.7	60.5	TBD	TBD	1700
FRB 400.xx.6.82.E	90	5/8 - 1	18.1	15.7	45.2	4.9	22.4	20.0	57.0	62.9	TBD	TBD	1800
FRB 450.xx.6.82.E	90	3/4 - 1 1/8	20.3	17.7	46.7	4.9	23.6	19.8	62.2	68.1	TBD	TBD	2000
FRB 450.xx.6.100.E	110	3/4 - 1 1/8	20.3	17.7	49.7	5.5	23.6	22.9	62.9	69.6	TBD	TBD	2500
FRB 528.xx.6.100.E	110	7/8 - 1 1/4	23.4	20.8	50.1	5.5	28.0	19.0	64.9	73.4	TBD	TBD	2500
FRB 528.xx.6.137.E	150	7/8 - 1 1/4	23.4	20.8	52.5	6.3	28.0	23.7	67.8	77.8	TBD	TBD	3500
FRB 528.xx.6.150.E	165	7/8 - 1 1/4	23.5	20.8	61.1	7.1	28.0	25.3	79.5	87.9	TBD	TBD	4000
FRB 528.xx.6.160.E	176	7/8 - 1 1/4	23.5	20.8	62.2	7.1	28.0	26.9	77.4	85.7	TBD	TBD	4275
FRB 528.xx.6.160.EB	176	7/8 - 1 1/4	23.5	20.8	62.2	7.1	28.0	26.9	77.8	86.1	TBD	TBD	4500
FRB 528.xx.6.182.E	200	7/8 - 1 1/4	23.5	20.8	63.0	7.1	28.0	25.3	79.5	87.9	79.5	2232	4500
FRB 528.xx.6.200.E	220	7/8 - 1 1/4	23.5	20.8	63.0	7.9	28.0	25.3	79.5	87.9	79.5	2232	5500
FRB 575.xx.6.182.E	200	1 1/16 - 1 1/4	25.6	22.6	61.1	7.1	30.3	24.5	77.4	88.4	TBD	TBD	4500
FRB 575.xx.6.182.EB	200	1 1/16 - 1 1/4	25.6	22.6	61.1	7.1	30.3	27.2	77.4	88.4	TBD	TBD	5500
FRB 575.xx.6.209.E	230	1 1/16 - 1 1/4	25.6	22.6	65.4	7.9	30.3	23.7	81.9	91.2	TBD	TBD	6500
FRB 670.xx.6.235.E	258.5	1 - 1 1/2	29.9	26.4	67.6	7.9	34.3	37.5	86.9	96.1	TBD	TBD	9150

Minimum Ultimate Strength = 4 x WLL.

NOTE xx = To be replaced by metric wire size in final part number ■ TBD = These dimensions vary with wire size ■ Hook locking pin included on all blocks 40M ton and higher

- The dimensions in this table are indicative only. A drawing will always be submitted prior to production and will be the leading document when discussing dimensions.
- Blocks shown here are standard models; inquiries for custom versions are welcome.
- Refer to wire rope manufacturers D/d ratio guideline.

SEE OUR WARNINGS AND APPLICATION INSTRUCTIONS

SEE OUR WARNINGS AND APPLICATION INSTRUCTIONS



8125 Saran Dr. • Playa del Rey, CA 90293
 Phone: 310.448.5444 • Fax: 310.448.5446
 sales@awrrinc.com
 www.AssociatedWireRope.com

