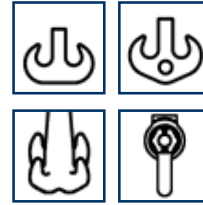
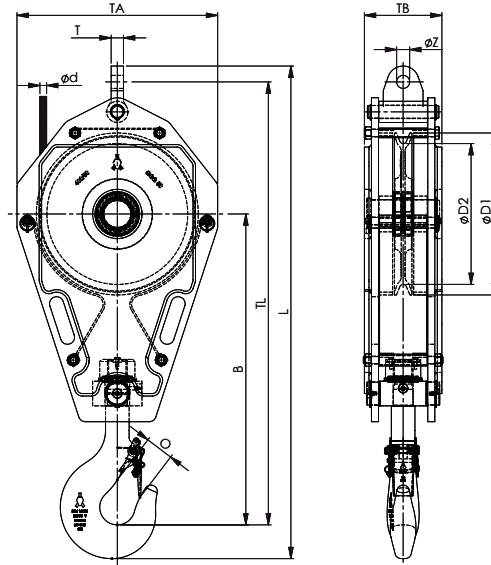


Fast Reeve crane Blocks

1 sheave >>



- Double hook
- Double hook with shackle hole
- Quad hook
- Shackle stud eye

Model Nr.	WLL	For wire ød inch	Dimensions (inch)										Weight lbs
	UStons		øD1	øD2	B	O	TA	TB	TL	L	T	øZ	
FRB 225.xx.1.12.5.E	13.75	3/8 - 5/16	10.2	8.9	23.1	2.2	13.6	6.7	34.0	38.2	TBD	TBD	195
FRB 260.xx.1.12.5.E	13.75	7/16 - 5/8	11.8	10.2	25.7	2.2	15.7	6.1	36.9	41.9	TBD	TBD	220
FRB 225.xx.1.16.E	17.6	3/8 - 9/16	10.2	8.9	23.9	2.8	13.6	7.1	34.8	39.7	TBD	TBD	225
FRB 260.xx.1.16.E	17.6	7/16 - 5/8	11.8	10.2	27.3	2.8	15.7	6.5	38.5	43.4	TBD	TBD	265
FRB 285.xx.1.16.E	17.6	1/2 - 3/4	12.6	11.2	28.5	2.8	16.5	6.5	40.3	45.2	TBD	TBD	350
FRB 355.xx.1.16.E.A	17.6	9/16 - 7/8	16.1	14.0	31.0	2.8	19.7	7.7	44.6	49.7	TBD	TBD	400
FRB 355.xx.1.16.E.B	17.6	9/16 - 7/8	16.1	14.0	31.0	2.8	19.7	8.5	44.6	49.7	TBD	TBD	500
FRB 260.xx.1.20.E	22	7/16 - 5/8	11.8	10.2	29.4	3.1	15.7	6.5	40.7	46.0	TBD	TBD	285
FRB 285.xx.1.20.E	22	1/2 - 3/4	12.6	11.2	30.6	3.1	16.5	6.5	42.4	47.8	TBD	TBD	350
FRB 320.xx.1.20.E	22	9/16 - 3/4	14.4	12.6	30.2	3.1	17.7	7.1	43.3	48.7	TBD	TBD	350
FRB 355.xx.1.20.E.A	22	9/16 - 7/8	16.1	14.0	33.6	3.1	19.7	8.9	47.2	52.7	TBD	TBD	550
FRB 355.xx.1.20.E.B	22	9/16 - 7/8	16.1	14.0	33.6	3.1	19.7	8.9	47.2	52.7	TBD	TBD	660
FRB 400.xx.1.25.E.A	27.5	5/8 - 1	18.1	15.7	34.8	3.1	22.4	8.7	49.5	55.0	TBD	TBD	630
FRB 400.xx.1.25.E.B	27.5	5/8 - 1	18.1	15.7	34.8	3.1	22.4	8.7	49.5	55.2	TBD	TBD	700
FRB 400.xx.1.29.E.B	32	5/8 - 1	18.1	15.7	34.8	3.1	22.4	10.6	49.9	55.6	TBD	TBD	800
FRB 450.xx.1.29.E.A	32	3/4 - 1 1/8	20.3	17.7	37.3	3.1	23.6	7.9	51.4	59.3	TBD	TBD	650
FRB 450.xx.1.29.E.B	32	3/4 - 1 1/8	20.3	17.7	37.3	3.1	23.6	9.1	51.4	59.3	TBD	TBD	800
FRB 450.xx.1.32.E.A	35	3/4 - 1 1/8	20.3	17.7	39.5	3.5	23.6	9.8	55.7	61.9	TBD	TBD	1000
FRB 450.xx.1.32.E.B	35	3/4 - 1 1/8	20.3	17.7	39.5	3.5	23.6	13.1	56.1	62.7	TBD	TBD	1320
FRB 450.xx.1.32.E.A	35	3/4 - 1 1/8	20.3	17.7	39.5	3.5	23.6	9.8	56.1	62.7	TBD	TBD	990
FRB 450.xx.1.32.E.B	35	3/4 - 1 1/8	20.3	17.7	39.5	3.5	23.6	13.1	56.1	62.7	TBD	TBD	1300
FRB 528.xx.1.32.E.A	35	7/8 - 1 1/4	23.4	20.8	40.5	3.5	28.0	8.7	58.7	65.3	TBD	TBD	1000
FRB 528.xx.1.32.E.B	35	7/8 - 1 1/4	23.4	20.8	40.5	3.5	28.0	10.6	58.7	65.3	TBD	TBD	1320

Minimum Ultimate Strength = 4 x WLL

NOTE xx = To be replaced by metric wire size in final part number ■ TBD = These dimensions vary with wire size ■ Hook locking pin included on all blocks 40M ton and higher

- The dimensions in this table are indicative only. A drawing will always be submitted prior to production and will be the leading document when discussing dimensions.
- Blocks shown here are standard models; inquiries for custom versions are welcome.
- Refer to wire rope manufacturers D/d ratio guideline.

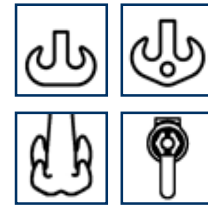
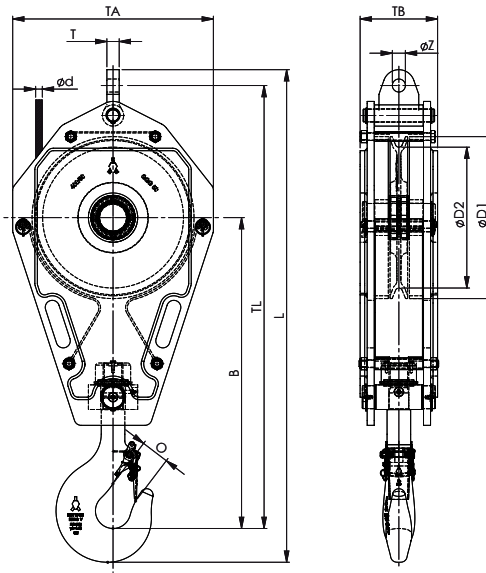


SEE OUR WARNINGS AND APPLICATION INSTRUCTIONS



<< Fast Reeve crane Blocks

1 sheave



- Double hook
- Double hook with shackle hole
- Quad hook
- Shackle stud eye

Model Nr.	WLL	For wire ød inch	Dimensions (inch)										Weight lbs
	UStons		øD1	øD2	B	O	TA	TB	TL	L	T	øZ	
FRB 670.xx.1.32.EA	35	1 - 1 ½	29.9	26.4	41.3	3.5	34.3	7.9	62.7	69.3	TBD	TBD	1000
FRB 670.xx.1.32.EB	35	1 - 1 ½	29.9	26.4	41.3	3.5	34.3	9.4	63.3	70.3	TBD	TBD	1320
FRB 450.xx.1.40.E	45	¾ - 1 ⅛	20.3	17.7	42.3	3.9	23.6	13.1	58.9	65.9	TBD	TBD	1300
FRB 528.xx.1.40.E	45	⅞ - 1 ¼	23.4	20.8	43.9	3.9	28.0	12.7	62.7	69.7	TBD	TBD	1500
FRB 528.xx.1.50.EB	45	⅞ - 1 ¼	23.4	20.8	43.9	3.9	28.0	12.7	62.7	69.7	TBD	TBD	1700
FRB 450.xx.1.50.EA	55	¾ - 1 ⅛	20.3	17.7	43.1	3.9	23.6	13.1	59.6	67.2	TBD	TBD	1300
FRB 450.xx.1.50.EB	55	¾ - 1 ⅛	20.3	17.7	43.1	3.9	23.6	14.3	59.6	67.2	TBD	TBD	1500
FRB 528.xx.1.50.EA	55	⅞ - 1 ¼	23.4	20.8	43.7	3.9	28.0	13.5	62.6	70.1	TBD	TBD	1500
FRB 528.xx.1.50.EC	55	⅞ - 1 ¼	23.4	20.8	43.7	3.9	28.0	15.5	62.6	70.1	TBD	TBD	2000
FRB 575.xx.1.50.EC	55	1 ⅙ - 1 ¼	25.6	22.6	45.0	3.9	30.3	12.3	64.9	72.9	TBD	TBD	2200
FRB 630.xx.1.50.E	55	1 - 1 ⅜	28.0	24.8	46.1	3.9	32.7	12.7	67.6	75.6	TBD	TBD	2200
FRB 670.xx.1.50.EA	55	1 - 1 ½	30.0	26.4	44.1	3.9	34.3	11.1	66.3	73.7	TBD	TBD	1650
FRB 670.xx.1.50.EB	55	1 - 1 ½	30.0	26.4	44.1	3.9	34.3	12.7	66.3	73.7	TBD	TBD	2000
FRB 670.xx.1.50.E-1	55	1 - 1 ½	30.0	26.4	44.1	3.9	34.3	17.4	66.3	73.7	TBD	TBD	2600
FRB 670.xx.1.50.EC	55	1 - 1 ½	30.0	26.4	44.1	3.9	34.3	17.4	66.3	73.7	TBD	TBD	3000
FRB 575.xx.1.64.E	70	1 ⅙ - 1 ¼	25.6	22.6	48.1	4.4	30.3	13.9	68.4	76.6	TBD	TBD	2200
FRB 670.xx.1.64.E	70	1 - 1 ½	29.9	26.4	49.1	4.4	34.3	17.8	71.4	79.3	TBD	TBD	2200
FRB 670.xx.1.64.EB	70	1 - 1 ½	29.9	26.4	49.1	4.4	34.3	17.8	71.4	79.5	TBD	TBD	3000

Minimum Ultimate Strength = 4 x WLL.

NOTE xx = To be replaced by metric wire size in final part number ■ TBD = These dimensions vary with wire size ■ Hook locking pin included on all blocks 40M ton and higher

- The dimensions in this table are indicative only. A drawing will always be submitted prior to production and will be the leading document when discussing dimensions.
- Blocks shown here are standard models; inquiries for custom versions are welcome.
- Refer to wire rope manufacturers D/d ratio guideline.

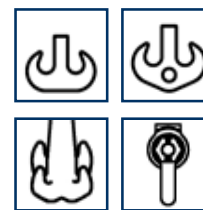
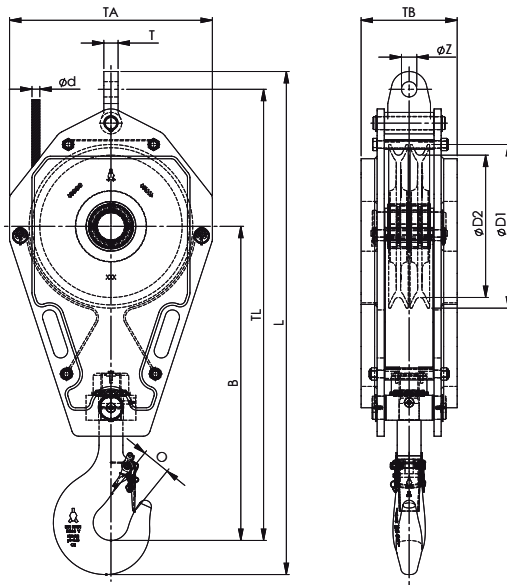


SEE OUR WARNINGS AND APPLICATION INSTRUCTIONS



Fast Reeve crane Blocks

2 sheaves



- Double hook
- Double hook with shackle hole
- Quad hook
- Shackle stud eye

Model Nr.	WLL	For wire ød	Dimensions (inch)										Weight
	UStons	inch	øD1	øD2	B	O	TA	TB	TL	L	T	øZ	lbs
FRB 225.xx.2.16.E	17.6	3/8 - 9/16	10.2	8.9	23.9	2.8	13.6	7.1	34.8	39.7	TBD	TBD	265
FRB 260.xx.2.16.E	17.6	7/16 - 5/8	11.8	10.2	27.3	2.8	15.7	6.5	38.5	43.4	TBD	TBD	285
FRB 260.xx.2.20.E	22	7/16 - 5/8	11.8	10.2	29.4	3.1	15.7	6.5	40.7	46.0	TBD	TBD	285
FRB 285.xx.2.20.E	22	1/2 - 3/4	14.4	11.2	30.6	3.1	16.5	6.5	42.4	47.8	TBD	TBD	350
FRB 320.xx.2.20.E	22	9/16 - 3/4	14.4	12.6	30.2	3.1	17.7	7.1	43.3	48.7	TBD	TBD	350
FRB 320.xx.2.25.EA	27.5	9/16 - 3/4	14.4	12.6	30.0	3.1	17.7	9.1	43.1	48.5	TBD	TBD	450
FRB 320.xx.2.25.EB	27.5	9/16 - 3/4	14.4	12.6	30.0	3.1	17.7	9.1	43.1	48.5	TBD	TBD	495
FRB 355.xx.2.29.E	32	9/16 - 7/8	16.1	14.0	33.4	3.1	19.7	8.9	47.0	52.5	TBD	TBD	585
FRB 400.xx.2.29.E	32	5/8 - 1	18.1	15.7	34.4	3.1	22.4	9.4	49.3	54.8	TBD	TBD	750
FRB 450.xx.2.32.E	35	3/4 - 1 1/8	20.3	17.7	39.5	3.5	23.6	9.8	55.7	61.9	TBD	TBD	1100
FRB 450.xx.2.50.E	55	3/4 - 1 1/8	20.3	17.7	42.3	3.9	23.6	13.1	58.9	65.9	TBD	TBD	1500
FRB 450.xx.2.55.EB	60	3/4 - 1 1/8	20.3	17.7	42.3	4.4	23.6	14.3	58.9	66.5	TBD	TBD	1600
FRB 450.xx.2.55.E	60	3/4 - 1 1/8	20.3	17.7	42.3	4.4	23.6	14.3	58.9	66.5	TBD	TBD	2000
FRB 528.xx.2.70.E	77	7/8 - 1 1/4	23.4	20.8	47.3	4.4	28.0	15.1	65.2	72.8	TBD	TBD	2200
FRB 528.xx.2.82.E	90	7/8 - 1 1/4	23.4	20.8	50.1	4.9	28.0	16.2	68.9	77.6	TBD	TBD	2350
FRB 670.xx.2.100.E	110	1 - 1 1/2	29.9	26.4	52.4	4.9	34.3	19.0	74.7	83.5	TBD	TBD	4930

Minimum Ultimate Strength = 4 x WLL.

NOTE xx = To be replaced by metric wire size in final part number ■ TBD = These dimensions vary with wire size ■ Hook locking pin included on all blocks 40M ton and higher

- The dimensions in this table are indicative only. A drawing will always be submitted prior to production and will be the leading document when discussing dimensions.
- Blocks shown here are standard models; inquiries for custom versions are welcome.
- Refer to wire rope manufacturers D/d ratio guideline.

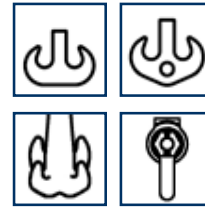
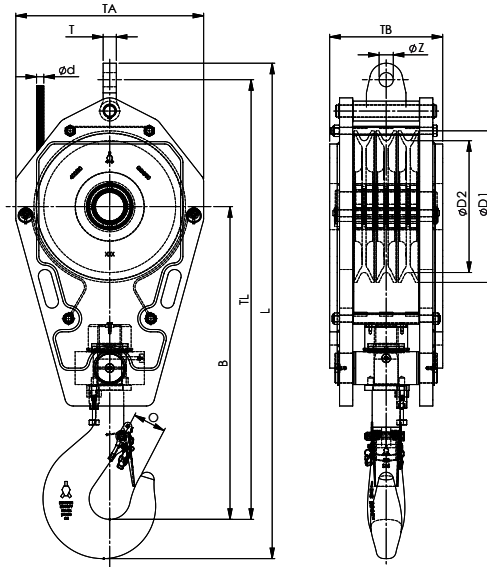


SEE OUR WARNINGS AND APPLICATION INSTRUCTIONS



Fast Reeve crane Blocks

3 sheaves >>



- Double hook
- Double hook with shackle hole
- Quad hook
- Shackle stud eye

Model Nr.	WLL	For wire ød	Dimensions (inch)										Weight
	UStons	inch	øD1	øD2	B	O	TA	TB	TL	L	T	øZ	lbs
FRB 225.xx.3.20.EB	22	3/8 - 1/16	10.2	8.9	28.3	3.1	13.6	7.1	39.1	44.4	TBD	TBD	410
FRB 260.xx.3.20.EB	22	7/16 - 5/8	11.8	10.2	28.5	3.1	15.7	8.7	40.1	45.4	TBD	TBD	410
FRB 260.xx.3.25.E	27.5	7/16 - 5/8	11.8	10.2	27.5	3.1	15.7	10.2	39.1	44.4	TBD	TBD	465
FRB 285.xx.3.29.EB	32	1/2 - 3/4	12.6	11.0	27.7	3.5	16.5	10.2	39.9	45.2	TBD	TBD	460
FRB 320.xx.3.29.EA	32	9/16 - 3/4	14.4	12.6	30.0	3.1	17.7	8.7	43.1	48.5	TBD	TBD	460
FRB 320.xx.3.29.EB	32	9/16 - 3/4	14.4	12.6	30.0	3.1	17.7	9.1	43.1	48.5	TBD	TBD	495
FRB 260.xx.3.32.E	35	7/16 - 5/8	11.8	10.2	28.9	3.5	15.7	9.4	40.5	46.3	TBD	TBD	465
FRB 260.xx.3.32.EA	35	7/16 - 5/8	11.8	10.2	28.9	3.5	15.7	10.4	40.5	46.3	TBD	TBD	525
FRB 285.xx.3.32.EB	35	1/2 - 3/4	12.6	11.0	30.0	3.5	16.5	9.4	42.2	48.0	TBD	TBD	505
FRB 355.xx.3.35.EA	38.5	9/16 - 7/8	16.1	14.0	34.0	3.5	19.7	9.4	47.6	53.5	TBD	TBD	700
FRB 355.xx.3.35.EB	38.5	9/16 - 7/8	16.1	14.0	34.0	3.5	19.7	10.6	47.6	53.5	TBD	TBD	825
FRB 355.xx.3.37.EB	40	9/16 - 7/8	16.1	14.0	34.0	3.5	19.7	11.0	47.6	53.5	TBD	TBD	825
FRB 360.xx.3.40.E	45	5/8 - 7/8	16.5	14.2	35.4	3.9	20.1	13.5	49.4	55.8	TBD	TBD	1000
FRB 400.xx.3.40.E	45	5/8 - 1	18.1	15.7	36.5	3.9	22.4	13.5	52.1	58.5	TBD	TBD	1000
FRB 360.xx.3.50.E	55	5/8 - 7/8	16.5	14.2	35.4	3.9	20.1	15.8	49.4	56.3	TBD	TBD	1200
FRB 400.xx.3.50.EA	55	5/8 - 1	18.1	15.7	37.4	3.9	22.4	13.5	52.1	59.1	TBD	TBD	1100
FRB 400.xx.3.50.EB	55	5/8 - 1	18.1	15.7	37.4	3.9	22.4	13.5	52.1	59.3	TBD	TBD	1200
FRB 360.xx.3.55.EA	60	5/8 - 7/8	16.5	14.2	35.4	3.9	20.1	11.9	49.3	55.8	TBD	TBD	900
FRB 360.xx.3.55.EB	60	5/8 - 7/8	16.5	14.2	35.4	3.9	20.1	15.4	49.3	55.8	TBD	TBD	1200

Minimum Ultimate Strength = 4 x WLL.

NOTE xx = To be replaced by metric wire size in final part number ■ TBD = These dimensions vary with wire size ■ Hook locking pin included on all blocks 40M ton and higher

- The dimensions in this table are indicative only. A drawing will always be submitted prior to production and will be the leading document when discussing dimensions.
- Blocks shown here are standard models; inquiries for custom versions are welcome.
- Refer to wire rope manufacturers D/d ratio guideline.



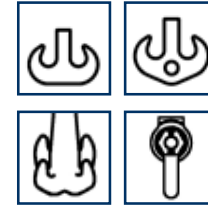
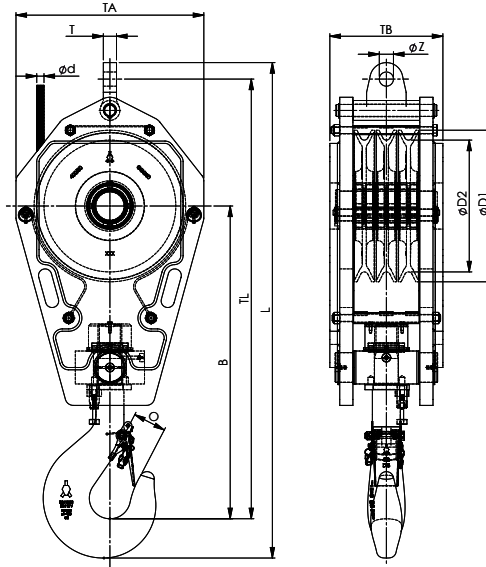
SEE OUR WARNINGS AND APPLICATION INSTRUCTIONS

8125 Saran Dr. • Playa del Rey, CA 90293
 Phone: 310.448.5444 • Fax: 310.448.5446
 sales@awrrinc.com
 www.AssociatedWireRope.com



<< Fast Reeve crane Blocks

3 sheaves



- Double hook
- Double hook with shackle hole
- Quad hook
- Shackle stud eye

Model Nr.	WLL	For wire ød	Dimensions (inch)										Weight
	US tons		inch	øD1	øD2	B	O	TA	TB	TL	L	T	øZ
FRB 400.xx.3.55.EA	60	5/8 - 1	18.1	15.7	37.4	3.9	22.4	13.5	52.1	59.1	TBD	TBD	1100
FRB 400.xx.3.55.EB	55	5/8 - 1	18.1	15.7	37.4	3.9	22.4	13.5	52.1	59.3	TBD	TBD	1200
FRB 450.xx.3.64.EA	70	3/4 - 1 1/8	20.3	17.7	40.9	4.4	23.6	13.1	57.2	64.8	TBD	TBD	1500
FRB 450.xx.3.64.EB	70	3/4 - 1 1/8	20.3	17.7	40.9	4.4	23.6	14.3	57.2	64.8	TBD	TBD	1600
FRB 450.xx.3.70.EA	77	3/4 - 1 1/8	20.3	17.7	41.1	4.4	23.6	13.1	57.4	64.6	TBD	TBD	1500
FRB 450.xx.3.70.EB	77	3/4 - 1 1/8	20.3	17.7	41.1	4.4	23.6	14.3	57.4	64.6	TBD	TBD	1700
FRB 450.xx.3.70.EC	77	3/4 - 1 1/8	20.3	17.7	41.1	4.4	23.6	14.7	57.4	64.6	TBD	TBD	1800
FRB 528.xx.3.70.E	77	7/8 - 1 1/4	23.4	20.8	47.6	4.4	28.0	15.1	65.9	73.5	TBD	TBD	2350
FRB 450.xx.3.82.EA	90	3/4 - 1 1/8	20.3	17.7	46.5	4.9	23.6	15.0	62.8	70.7	TBD	TBD	1800
FRB 450.xx.3.82.EB	90	3/4 - 1 1/8	20.3	17.7	46.5	4.9	23.6	18.2	62.8	70.7	TBD	TBD	2200
FRB 528.xx.3.82.E	90	7/8 - 1 1/4	23.4	20.8	50.1	4.9	28.0	16.2	68.3	76.6	TBD	TBD	2500
FRB 528.xx.3.82.EB	90	7/8 - 1 1/4	23.4	20.8	50.1	4.9	28.0	16.2	68.3	76.6	TBD	TBD	2800
FRB 528.xx.3.100.E	110	7/8 - 1 1/4	23.4	20.8	53.7	5.5	28.0	18.2	71.9	80.9	TBD	TBD	3000
FRB 575.xx.3.100.E	110	1 1/16 - 1 1/4	25.6	22.6	51.3	5.5	30.3	17.0	71.2	80.6	TBD	TBD	3000
FRB 670.xx.3.100.EA	110	1 - 1 1/2	29.9	26.4	55.2	5.5	34.3	14.3	77.5	87.0	TBD	TBD	3000
FRB 670.xx.3.100.EB	110	1 - 1 1/2	29.9	26.4	55.2	5.5	34.3	16.2	77.5	87.0	TBD	TBD	3500
FRB 670.xx.3.100.EC	110	1 - 1 1/2	29.9	26.4	55.2	5.5	34.3	17.8	77.5	87.0	TBD	TBD	4000
FRB 670.xx.3.125.E	137.5	1 - 1 1/2	29.9	26.4	56.2	5.5	34.3	24.5	78.5	87.9	TBD	TBD	6380
FRB 670.xx.3.137.D	150	1 - 1 1/2	29.9	26.4	0.0	6.3	0.0	41.0	0.0	0.0	TBD	TBD	8600

Minimum Ultimate Strength = 4 x WLL.

NOTE xx = To be replaced by metric wire size in final part number ■ TBD = These dimensions vary with wire size ■ Hook locking pin included on all blocks 40M ton and higher

- The dimensions in this table are indicative only. A drawing will always be submitted prior to production and will be the leading document when discussing dimensions.
- Blocks shown here are standard models; inquiries for custom versions are welcome.
- Refer to wire rope manufacturers D/d ratio guideline.

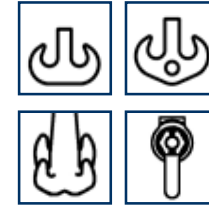
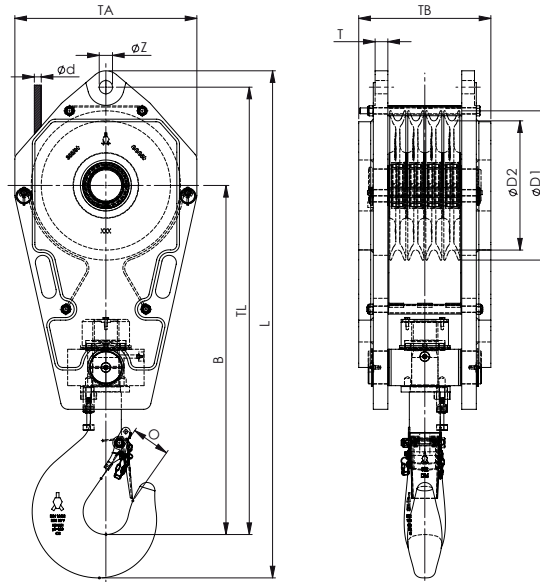


SEE OUR WARNINGS AND APPLICATION INSTRUCTIONS



Fast Reeve crane Blocks

4 sheaves



- Double hook
- Double hook with shackle hole
- Quad hook
- Shackle stud eye

Model Nr.	WLL	For wire ød	Dimensions (inch)										Weight
	UStons	inch	øD1	øD2	B	O	TA	TB	TL	L	T	øZ	lbs
FRB 285.xx.4.35.E	38.5	1/2 - 3/4	12.6	11.2	29.6	3.5	16.5	11.5	41.9	47.6	TBD	TBD	605
FRB 320.xx.4.37.E	40	5/16 - 3/4	14.4	12.6	29.6	3.5	17.7	12.3	39.0	44.8	TBD	TBD	700
FRB 355.xx.4.50.E	55	5/16 - 7/8	16.1	14.0	37.8	3.9	19.7	14.3	48.4	54.8	TBD	TBD	1100
FRB 355.xx.4.55.E	60	5/16 - 7/8	16.1	14.0	37.8	3.9	19.7	14.3	48.4	54.8	TBD	TBD	1100
FRB 400.xx.4.64.E	70	5/8 - 1	18.1	15.7	40.9	4.4	22.4	13.8	52.5	57.7	TBD	TBD	1500
FRB 450.xx.4.64.E	70	3/4 - 1 1/8	20.3	17.7	40.9	4.4	23.6	15.7	57.0	62.2	TBD	TBD	1650
FRB 528.xx.4.64.E	70	7/8 - 1 1/4	23.4	20.8	42.4	4.4	28.0	19.8	57.4	64.8	TBD	TBD	2500
FRB 400.xx.4.70.E	77	5/8 - 1	18.1	15.7	40.9	4.4	22.4	13.8	52.5	57.7	TBD	TBD	1500
FRB 450.xx.4.70.EA	77	3/4 - 1 1/8	20.3	17.7	40.9	4.4	23.6	15.7	57.0	62.2	TBD	TBD	1650
FRB 450.xx.4.70.EB	77	3/4 - 1 1/8	20.3	17.7	43.9	4.4	23.6	18.4	57.1	64.3	TBD	TBD	1800
FRB 450.xx.4.82.E	90	7/8 - 1 1/4	20.3	17.7	46.6	4.9	23.6	20.7	61.7	67.6	TBD	TBD	2200
FRB 528.xx.4.82.E	90	7/8 - 1 1/4	23.4	20.8	50.1	4.9	28.0	20.7	68.3	74.3	TBD	TBD	2800
FRB 450.xx.4.100.E	110	3/4 - 1 1/8	20.3	17.7	49.7	5.5	23.6	24.5	62.9	72.0	TBD	TBD	3200
FRB 528.xx.4.100.EA	110	7/8 - 1 1/4	23.4	20.8	50.7	5.5	28.0	18.6	68.6	75.3	TBD	TBD	2800
FRB 575.xx.4.100.E	110	15/16 - 1 1/4	25.6	22.6	54.3	5.5	30.3	18.2	70.8	79.9	TBD	TBD	3000
FRB 575.xx.4.125.E	137.5	15/16 - 1 1/4	25.6	22.6	55.6	6.3	30.3	17.4	74.5	82.0	TBD	TBD	3000
FRB 575.xx.4.137.5.E	150	15/16 - 1 1/4	25.6	22.6	55.6	6.3	30.3	17.4	72.2	82.1	TBD	TBD	3000
FRB 630.xx.3.137.5.E	150	1 - 1 3/8	28.0	24.8	55.4	6.3	32.7	17.8	73.0	83.3	TBD	TBD	3500
FRB 670.xx.4.160.E	176	1 - 1 1/2	29.9	26.4	63.6	7.1	34.3	26.1	85.9	94.2	TBD	TBD	6930

Minimum Ultimate Strength = 4 x WLL.

NOTE xx = To be replaced by metric wire size in final part number ■ TBD = These dimensions vary with wire size ■ Hook locking pin included on all blocks 40M ton and higher

- The dimensions in this table are indicative only. A drawing will always be submitted prior to production and will be the leading document when discussing dimensions.
- Blocks shown here are standard models; inquiries for custom versions are welcome.
- Refer to wire rope manufacturers D/d ratio guideline.

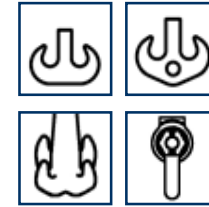
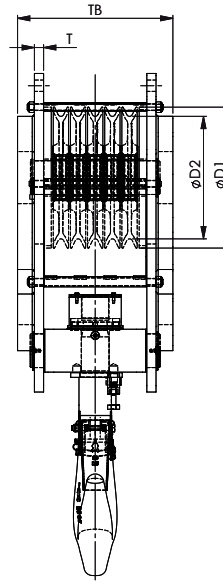
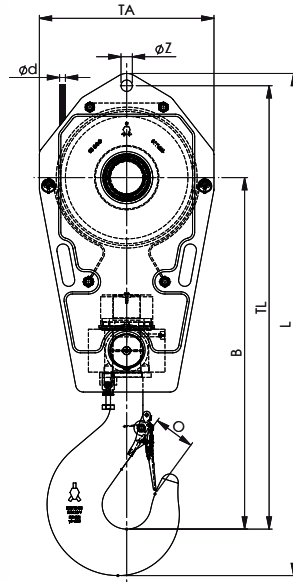


SEE OUR WARNINGS AND APPLICATION INSTRUCTIONS



<< Fast Reeve crane Blocks

5 sheaves



- Double hook
- Double hook with shackle hole
- Quad hook
- Shackle stud eye

Model Nr.	WLL	For wire ød	Dimensions (inch)										Weight
	UStons	inch	øD1	øD2	B	O	TA	TB	TL	L	T	øZ	lbs
FRB 355.xx.5.50.E	55	5/16 - 7/8	16.1	14.0	37.8	3.9	19.7	15.0	48.2	52.8	TBD	TBD	1100
FRB 355.xx.5.55.E	60	5/16 - 7/8	16.1	14.0	37.8	3.9	19.7	15.0	48.2	52.8	TBD	TBD	1100
FRB 355.xx.5.55.E-1	60	5/16 - 7/8	16.1	14.0	37.8	3.9	19.7	15.0	48.2	52.8	TBD	TBD	1280
FRB 360.xx.5.64.E	70	5/8 - 7/8	16.5	14.2	39.3	4.4	20.1	15.4	49.9	56.8	TBD	TBD	1340
FRB 360.xx.5.70.E	77	5/8 - 7/8	16.5	14.2	39.3	4.4	20.1	15.4	49.9	56.8	TBD	TBD	1340
FRB 360.xx.5.82.EB	90	5/8 - 7/8	16.5	14.2	42.6	4.9	20.1	19.0	53.2	59.1	TBD	TBD	1805
FRB 400.xx.5.82.EA	90	5/8 - 1	18.1	15.7	45.2	4.9	22.4	20.0	57.0	62.9	TBD	TBD	1455
FRB 400.xx.5.82.EB	90	5/8 - 1	18.1	15.7	45.2	4.9	22.4	20.0	57.0	62.9	TBD	TBD	1600
FRB 400.xx.5.82.EC	90	5/8 - 1	18.1	15.7	45.2	4.9	22.4	20.0	57.0	62.9	TBD	TBD	1800
FRB 450.xx.5.82.E	90	3/4 - 1 1/8	20.3	17.7	46.8	4.9	23.6	17.2	62.2	68.1	TBD	TBD	1800
FRB 450.xx.5.100.EA	110	3/4 - 1 1/8	20.3	17.7	49.7	5.5	23.6	16.4	62.9	69.6	TBD	TBD	2000
FRB 450.xx.5.100.EB	110	3/4 - 1 1/8	20.3	17.7	49.7	5.5	23.6	20.0	62.9	69.6	TBD	TBD	2510
FRB 528.xx.5.100.EA	110	7/8 - 1 1/4	23.4	20.8	49.9	5.5	28.0	19.2	65.9	74.6	TBD	TBD	2500
FRB 528.xx.5.100.EB	110	7/8 - 1 1/4	23.4	20.8	49.9	5.5	28.0	20.6	65.9	74.6	TBD	TBD	2800
FRB 528.xx.5.125.E	137.5	7/8 - 1 1/4	23.4	20.8	52.5	6.3	28.0	24.5	67.8	75.3	TBD	TBD	3500
FRB 450.xx.5.137.D	150	3/4 - 1 1/8	20.3	17.7	50.8	4.9	23.6	25.3	64.6	72.0	TBD	TBD	3630
FRB 528.xx.5.137.E	150	7/8 - 1 1/4	23.4	20.8	54.4	6.3	28.0	22.5	69.8	79.7	TBD	TBD	3500
FRB 528.xx.5.150.E	165	7/8 - 1 1/4	23.4	20.8	52.5	7.1	28.0	23.7	67.8	76.2	TBD	TBD	4000
FRB 528.xx.5.160.E	176	7/8 - 1 1/4	23.4	20.8	59.1	7.1	28.0	26.1	77.9	86.3	TBD	TBD	4000
FRB 575.xx.5.160.E	176	1 1/16 - 1 1/4	25.6	22.6	62.6	7.1	30.3	23.3	79.2	87.5	TBD	TBD	5500
FRB 575.xx.5.182.E	200	1 1/16 - 1 1/4	25.6	22.6	62.6	7.1	30.3	26.1	79.2	90.2	TBD	TBD	5500
FRB 670.xx.5.160.E	176	1 - 1 1/2	29.9	26.4	62.6	7.1	34.3	22.9	81.1	92.0	TBD	TBD	5500
FRB 670.xx.5.182.E	200	1 - 1 1/2	29.9	26.4	62.6	7.1	34.3	26.1	81.1	92.0	TBD	TBD	5500
FRB 670.xx.5.200.E	220	1 - 1 1/2	29.9	26.4	67.6	7.9	34.3	30.8	86.9	96.1	TBD	TBD	7830

Minimum Ultimate Strength = 4 x WLL.

NOTE xx = To be replaced by metric wire size in final part number ■ TBD = These dimensions vary with wire size ■ Hook locking pin included on all blocks 40M ton and higher

- The dimensions in this table are indicative only. A drawing will always be submitted prior to production and will be the leading document when discussing dimensions.
- Blocks shown here are standard models; inquiries for custom versions are welcome.
- Refer to wire rope manufacturers D/d ratio guideline.



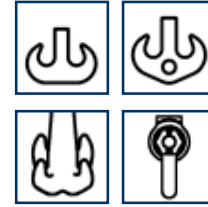
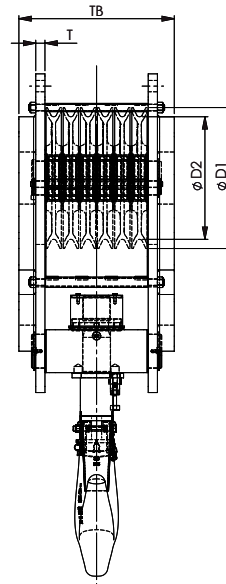
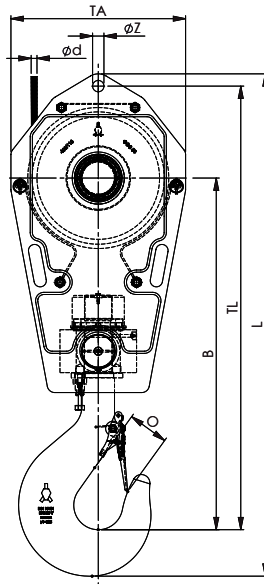
SEE OUR WARNINGS AND APPLICATION INSTRUCTIONS

8125 Saran Dr. • Playa del Rey, CA 90293
 Phone: 310.448.5444 • Fax: 310.448.5446
 sales@awrrinc.com
 www.AssociatedWireRope.com



Fast Reeve crane Blocks

6 sheaves



- Double hook
- Double hook with shackle hole
- Quad hook
- Shackle stud eye

Model Nr.	WLL	For wire ød inch	Dimensions (inch)										Weight
	UStons		øD1	øD2	B	O	TA	TB	TL	L	T	øZ	lbs
FRB 360.xx.6.64.E	70	5/8 - 7/8	16.5	14.2	38.3	4.4	20.1	20.6	48.9	50.3	TBD	TBD	1495
FRB 400.xx.6.64.E	70	5/8 - 1	18.1	15.7	41.9	4.4	22.4	20.0	53.7	60.5	TBD	TBD	1700
FRB 400.xx.6.82.E	90	5/8 - 1	18.1	15.7	45.2	4.9	22.4	20.0	57.0	62.9	TBD	TBD	1800
FRB 450.xx.6.82.E	90	3/4 - 1 1/8	20.3	17.7	46.7	4.9	23.6	19.8	62.2	68.1	TBD	TBD	2000
FRB 450.xx.6.100.E	110	3/4 - 1 1/8	20.3	17.7	49.7	5.5	23.6	22.9	62.9	69.6	TBD	TBD	2500
FRB 528.xx.6.100.E	110	7/8 - 1 1/4	23.4	20.8	50.1	5.5	28.0	19.0	64.9	73.4	TBD	TBD	2500
FRB 528.xx.6.137.E	150	7/8 - 1 1/4	23.4	20.8	52.5	6.3	28.0	23.7	67.8	77.8	TBD	TBD	3500
FRB 528.xx.6.150.E	165	7/8 - 1 1/4	23.5	20.8	61.1	7.1	28.0	25.3	79.5	87.9	TBD	TBD	4000
FRB 528.xx.6.160.E	176	7/8 - 1 1/4	23.5	20.8	62.2	7.1	28.0	26.9	77.4	85.7	TBD	TBD	4275
FRB 528.xx.6.160.EB	176	7/8 - 1 1/4	23.5	20.8	62.2	7.1	28.0	26.9	77.8	86.1	TBD	TBD	4500
FRB 528.xx.6.182.E	200	7/8 - 1 1/4	23.5	20.8	63.0	7.1	28.0	25.3	79.5	87.9	79.5	2232	4500
FRB 528.xx.6.200.E	220	7/8 - 1 1/4	23.5	20.8	63.0	7.9	28.0	25.3	79.5	87.9	79.5	2232	5500
FRB 575.xx.6.182.E	200	1 1/16 - 1 1/4	25.6	22.6	61.1	7.1	30.3	24.5	77.4	88.4	TBD	TBD	4500
FRB 575.xx.6.182.EB	200	1 1/16 - 1 1/4	25.6	22.6	61.1	7.1	30.3	27.2	77.4	88.4	TBD	TBD	5500
FRB 575.xx.6.209.E	230	1 1/16 - 1 1/4	25.6	22.6	65.4	7.9	30.3	23.7	81.9	91.2	TBD	TBD	6500
FRB 670.xx.6.235.E	258.5	1 - 1 1/2	29.9	26.4	67.6	7.9	34.3	37.5	86.9	96.1	TBD	TBD	9150

Minimum Ultimate Strength = 4 x WLL.

NOTE xx = To be replaced by metric wire size in final part number ■ TBD = These dimensions vary with wire size ■ Hook locking pin included on all blocks 40M ton and higher

- The dimensions in this table are indicative only. A drawing will always be submitted prior to production and will be the leading document when discussing dimensions.
- Blocks shown here are standard models; inquiries for custom versions are welcome.
- Refer to wire rope manufacturers D/d ratio guideline.

SEE OUR WARNINGS AND APPLICATION INSTRUCTIONS

SEE OUR WARNINGS AND APPLICATION INSTRUCTIONS



8125 Saran Dr. • Playa del Rey, CA 90293
 Phone: 310.448.5444 • Fax: 310.448.5446
 sales@awrrinc.com
 www.AssociatedWireRope.com

