

# Rigging

## Snatch Blocks

Ropeblock Snatch Blocks are an excellent choice in most rigging and lifting plans. Durability and easy of use are some of the key benefits in addition to:

- Design Factor of Safety of 4:1
- Lubricated bronze bushings
- Eye or oblong eye connection
- Ductile iron sheaves, featuring graphite lubricated groove
- Operational temperature range: -40 up to +80 °C / -40 up to +176 °F
- C3M finish in signal yellow

## High Capacity Light Weight Blocks

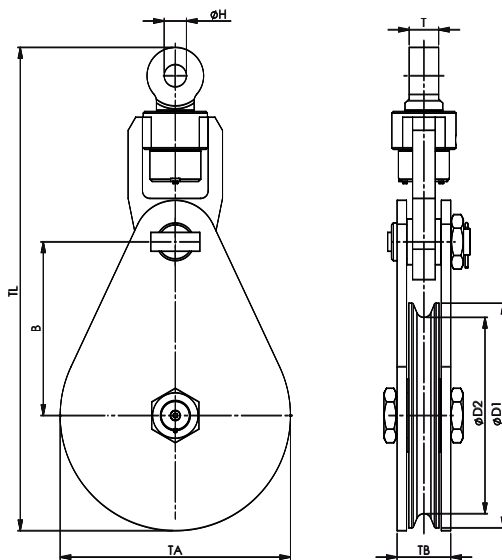
Ropeblock light weight tilt-up blocks are an excellent choice when a combination of low weight and high capacity is required. Durability and easy of use are some of the key benefits in addition to:

- Design Factor of Safety of 4:1
- Double sealed roller bearings
- Shackle eye or oblong eye connection
- Operational temperature range: -40 up to +80 °C / -40 up to +176 °F
- C3M finish in signal yellow

## Recommended finish

Segment / application	ISO 12944 classification	Classification description	Expected protection duration	DFT (µm)
Construction	C2M	Slightly polluted atmosphere, predominately agriculture areas	5 to 15 year	120
Construction	C3M	Industrial and residential air pollution levels, with an average sulfurdioxide (IV) contamination level. Coastal areas with low salt content in air	2 to 5 year	120
Construction	C3M	Industrial and residential air pollution levels, with an average sulfurdioxide (IV) contamination level. Coastal areas with low salt content in air	5 to 15 year	160
Cargo handling	C3M	Industrial and residential air pollution levels, with an average sulfurdioxide (IV) contamination level. Coastal areas with low salt content in air	5 to 15 year	160
Cargo handling	C4H	Industrial areas and coastal areas with average salt content in air	more than 15 year	280
Cargo handling	C5-MM	Coastal areas and open sea with high salt content in air	5 to 15 year	280
Offshore	C4H	Industrial areas and coastal areas with average salt content in air	more than 15 year	300
Offshore	C5-MM	Coastal areas and open sea with high salt content in air	5 to 15 year	300
Offshore	C5-MH	Coastal areas and open sea with high salt content in air	more than 15 year	320
Offshore	NORSOK sys. 1*	Open sea with high salt content in air	more than 15 year	300

# Snatch Blocks



- Hook
- Clevis
- Tailbord
- Oblong eye

Model Nr.	WLL	For wire ød	Dimensions (inch)								Weight (lbs)
	UStons		inch	øD1	øD2	B	øH	T	TA	TB	
VB 240.28.1.20.S	22	1 - 1 1/8	11.8	9.4	10.0	1.5	1.9	12.2	3.3	28.9	120
VB 300.32.1.20.S	22	1 1/8 - 1 1/4	14.4	11.8	11.3	1.5	1.9	14.8	3.3	31.4	130
VB 240.28.1.25.S	27.5	1 - 1 1/8	11.8	9.4	10.0	1.6	2.1	12.2	3.3	28.6	125
VB 300.32.1.25.S	27.5	1 1/8 - 1 1/4	14.4	11.8	11.3	1.6	2.1	14.8	3.3	31.2	140
VB 390.26.1.25.S	27.5	7/8 - 1	17.7	15.4	13.8	2.1	2.8	16.1	4.4	39.5	265
VB 345.32.1.32.S	35	1 1/8 - 1 1/4	15.7	13.6	12.8	2.1	2.8	16.1	4.4	37.4	265
VB 345.36.1.32.S	35	1 1/4 - 1 3/8	15.7	13.6	12.8	2.1	2.8	16.1	4.4	37.4	265
VB 390.32.1.32.S	35	1 1/8 - 1 1/4	17.7	15.4	13.8	2.1	2.8	18.5	4.4	39.5	310
VB 390.38.1.32.S	35	1 3/8 - 1 1/2	17.7	15.4	13.8	2.1	2.8	18.5	4.4	39.5	310
VB 430.32.1.32.S	35	1 1/8 - 1 1/4	19.5	16.9	14.8	2.1	2.8	20.1	4.4	41.3	330
VB 430.38.1.32.S	35	1 3/8 - 1 1/2	19.5	16.9	14.8	2.1	2.8	20.1	4.4	41.3	330
VB 520.32.1.32.S	35	1 1/8 - 1 1/4	23.4	20.5	17.1	2.1	2.8	24.0	4.4	45.6	330
VB 430.32.1.36.5.S	40	1 1/8 - 1 1/4	19.5	16.9	15.7	2.1	2.8	20.1	4.8	42.7	440
VB 430.38.1.36.5.S	40	1 3/8 - 1 1/2	19.5	16.9	15.7	2.1	2.8	20.1	4.8	42.7	440
VB 520.38.1.55.S	60	1 3/8 - 1 1/2	23.4	20.5	18.1	2.3	3.1	24.0	5.6	50.4	680
VB 520.44.1.55.S	60	1 1/2 - 1 3/4	23.4	20.5	18.1	2.3	3.1	24.0	5.6	50.4	680
VB 520.52.1.55.S	60	1 3/4 - 2	23.4	20.5	18.1	2.3	3.1	24.0	5.6	50.4	680
VB 520.52.1.75.S	82.5	1 3/4 - 2	23.4	20.5	18.1	2.9	3.9	24.0	5.6	52.6	726
VB 630.58.1.75.S	82.5	1 3/4 - 2 1/4	29.5	24.8	22.4	2.9	3.9	30.3	8.0	71.5	1265
VB 710.68.1.100.S	110	2 1/2 - 2 3/8	31.5	28.0	25.6	3.4	4.7	32.3	8.0	75.2	1605
VB 800.76.1.125.S	137.5	2 3/4 - 3	35.0	31.5	29.5	3.4	4.7	36.2	8.0	84.6	2200

Also Available in Double Sheave Models:

VB 240.28.2.20.S*	22	1 - 1 1/8	11.8	9.4	10.0	1.5	1.9	12.2	6.2	26.9	200
VB 300.32.2.32.S	35	1 1/8 - 1 1/4	14.4	11.8	11.3	2.1	2.8	14.8	6.2	32.8	265
VB 430.28.2.73.S	80	1 1/8 - 1 1/2	19.5	16.9	16.1	2.8	3.9	20.1	9.6	61.0	1050

\* Available with and without Dead End

Minimum Ultimate Strength = 4 x WLL

- The dimensions in this table are indicative only. A drawing will always be submitted prior to production and will be the leading document when discussing dimensions.
- Blocks shown here are standard models; inquiries for custom versions are welcome.
- Refer to wire rope manufacturers D/d ratio guideline.



**SEE OUR WARNINGS AND APPLICATION INSTRUCTIONS**