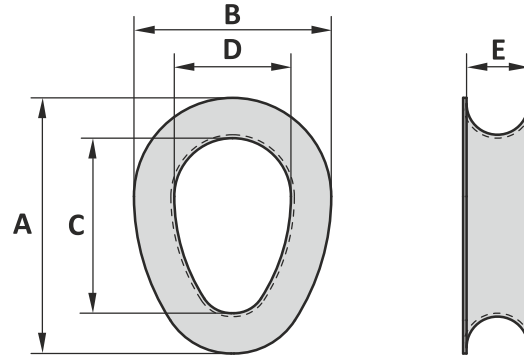


# EGG SHAPED THIMBLE (TRAWLER) ROUND THIMBLE

## TYPE K4

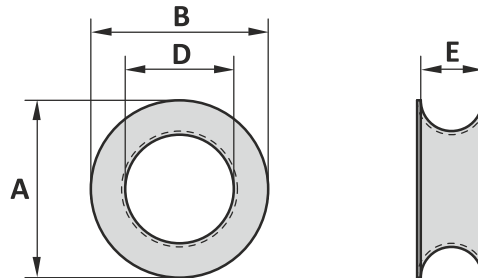
Material : Mild steel  
 Finish : Galvanised  
 Temperature range : -4°F up to +392°F  
 Standard certification : Certificate of Conformity

Suitable for wire rope or fibre rope



Art. No.	A inch	B inch	C inch	D inch	E inch	Packing	Weight lbs/100
13030000	3	2 <sup>13</sup> / <sub>32</sub>	1 <sup>27</sup> / <sub>32</sub>	1 <sup>11</sup> / <sub>32</sub>	<sup>23</sup> / <sub>32</sub>	25	40
13035000	3 ½	2 ¾	2 ⅝	1 <sup>17</sup> / <sub>32</sub>	<sup>13</sup> / <sub>16</sub>	25	62
13040000	4	3 <sup>21</sup> / <sub>32</sub>	2 <sup>27</sup> / <sub>32</sub>	2 ⅛	<sup>15</sup> / <sub>16</sub>	25	99
13045000	4 ½	3 <sup>13</sup> / <sub>16</sub>	3 <sup>3</sup> / <sub>32</sub>	2 <sup>9</sup> / <sub>32</sub>	1 <sup>1</sup> / <sub>16</sub>	25	121
13050000	5	3 <sup>15</sup> / <sub>16</sub>	3 <sup>9</sup> / <sub>16</sub>	2 <sup>3</sup> / <sub>8</sub>	1 <sup>3</sup> / <sub>16</sub>	25	132
13060000	6	4 <sup>17</sup> / <sub>32</sub>	4	2 <sup>11</sup> / <sub>16</sub>	1 <sup>13</sup> / <sub>32</sub>	10	161
13080000	8	6 <sup>5</sup> / <sub>16</sub>	5 ½	3 <sup>15</sup> / <sub>16</sub>	1 ½	10	353

Tolerance: Forged parts ± 5%



Art. No.	A inch	B inch	D inch	E inch	Packing	Weight lbs/100
13102500	2 ½	2 <sup>1</sup> / <sub>16</sub>	1 ¾	<sup>1</sup> / <sub>16</sub>	25	46
13103000	3	2 <sup>27</sup> / <sub>32</sub>	1 ¾	1 <sup>1</sup> / <sub>32</sub>	25	62
13103500	3 ½	3 ¾	2 ¾	1 <sup>11</sup> / <sub>32</sub>	25	71

Tolerance: Forged parts ± 5%

# GN ROPE FITTINGS

North American Stocking Distributor

8125 Saran Dr. • Playa del Rey, CA 90293

Phone: 310.448.5444 • Fax: 310.448.5446

sales@awrrinc.com

www.AssociatedWireRope.com



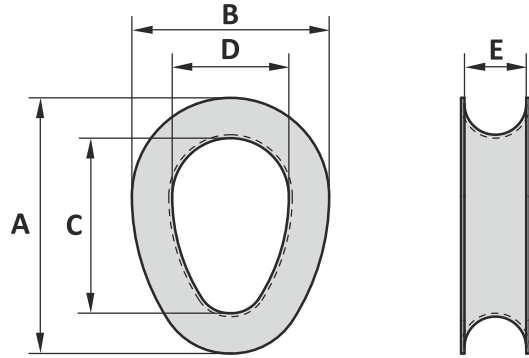
# EGG SHAPED THIMBLE (TRAWLER) ROUND THIMBLE

## TYPE K4

Material : Mild steel  
 Finish : Galvanised  
 Temperature range : -20°C up to +200°C  
 Standard certification : Certificate of Conformity

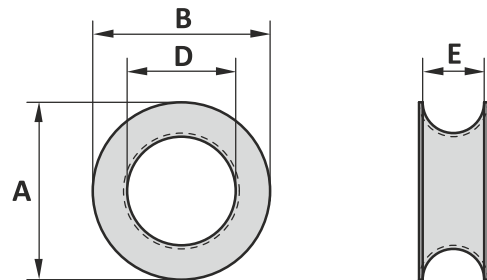
**For container thimbles,  
see next page!**

Suitable for wire rope or fibre rope



Art. No.	A inch	B mm	C mm	D mm	E mm	Packing	Weight kg/100
13030000	3	61	47	34	18	25	18
13035000	3 ½	70	60	39	21	25	28
13040000	4	93	72	54	24	25	45
13045000	4 ½	97	80	55	27	25	55
13050000	5	100	90	60	30	25	60
13060000	6	115	102	68	36	10	73
13080000	8	160	140	100	38	10	160

Tolerance: Forged parts ± 5%

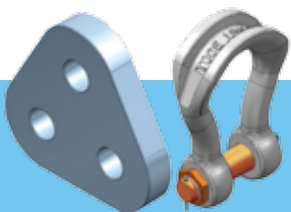


Art. No.	A inch	B mm	D mm	E mm	Packing	Weight kg/100
13102500	2 ½	68	41	21	25	21
13103000	3	72	48	26	25	28
13103500	3 ½	98	60	34	25	32

Tolerance: Forged parts ± 5%

# GN ROPE FITTINGS

North American Stocking Distributor



8125 Saran Dr. • Playa del Rey, CA 90293  
 Phone: 310.448.5444 • Fax: 310.448.5446  
 sales@awrrinc.com  
 www.AssociatedWireRope.com



GENERAL  
 SHACKLES  
 THIMBLES  
 SOCKETS  
 LINKS  
 SWIVELS  
 HOOKS  
 MOORING  
 SPECIALS