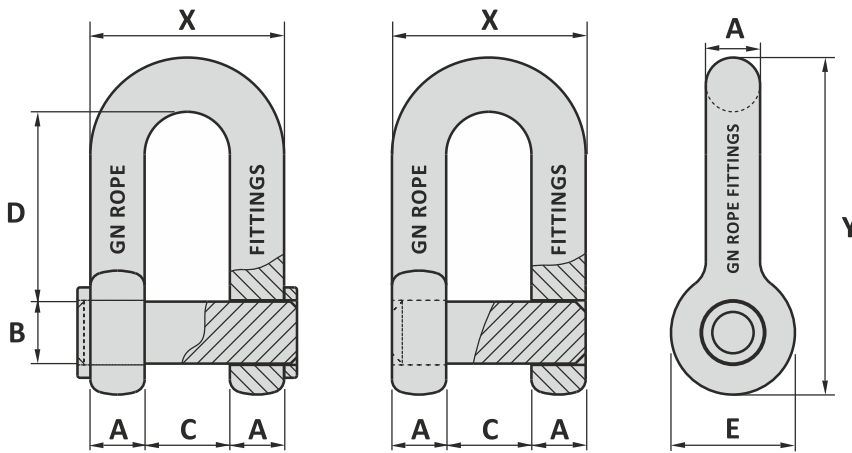


CROWN PIN SHACKLE

TYPE D10

Material : High tensile steel
 Finish : Self coloured
 Temperature range : -4°F up to +392°F
 Standard certification : Certificate of Conformity

Non-standard sizes or custom products available on request

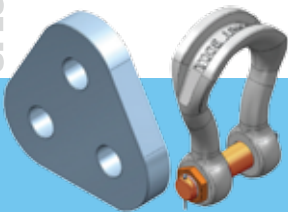


| Art. No. | A inch | B inch | C inch | D inch | E inch | X inch | Y inch | Weight lbs |
|----------|-----------|-----------|-----------|-----------|-----------|-----------|-----------|---------------|
| 31424840 | 1 3/4 | 1 7/8 | 2 19/32 | 5 29/32 | 3 29/32 | 6 1/16 | 10 11/32 | 24 |
| 31485230 | 1 15/16 | 2 1/16 | 2 7/8 | 6 3/32 | 4 3/32 | 6 3/4 | 11 7/32 | 31 |
| 31526040 | 2 7/32 | 2 3/8 | 3 3/16 | 7 7/32 | 4 23/32 | 7 1/2 | 13 | 46 |
| 31606830 | 2 13/32 | 2 11/16 | 3 3/16 | 8 5/16 | 5 11/32 | 8 11/32 | 14 23/32 | 66 |
| 31657240 | 2 7/8 | 2 21/32 | 3 13/16 | 8 11/16 | 5 11/16 | 9 7/32 | 15 19/32 | 79 |
| 31708040 | 2 29/32 | 3 5/32 | 4 1/16 | 8 11/16 | 6 7/16 | 10 5/32 | 17 5/16 | 108 |
| 31809040 | 2 15/16 | 3 3/16 | 4 13/16 | 10 7/8 | 7 7/32 | 10 13/16 | 19 1/8 | 165 |
| 31901004 | 3 3/16 | 3 15/16 | 5 1/2 | 12 3/32 | 7 7/8 | 12 1/2 | 21 1/16 | 220 |
| 31950000 | 3 15/16 | 4 3/16 | 6 3/32 | 13 11/32 | 9 1/16 | 13 21/32 | 23 5/8 | 287 |
| 31990000 | 4 7/16 | 4 15/16 | 6 7/8 | 15 5/32 | 9 27/32 | 15 1/16 | 26 15/16 | 397 |
| 31999999 | 4 15/16 | 5 1/2 | 7 7/8 | 16 15/16 | 11 1/32 | 17 23/32 | 30 7/8 | 573 |
| 32140152 | 5 1/2 | 5 29/32 | 8 7/8 | 18 11/16 | 12 | 19 9/32 | 33 3/16 | 739 |
| 32150164 | 5 29/32 | 6 7/16 | 8 21/32 | 20 11/16 | 13 | 20 15/32 | 36 7/32 | 911 |
| 32160170 | 6 3/16 | 6 11/16 | 9 1/4 | 22 1/16 | 13 3/8 | 21 27/32 | 38 3/8 | 1102 |
| 32170180 | 6 11/16 | 7 7/32 | 9 27/32 | 24 | 13 25/32 | 23 7/32 | 41 1/8 | 1325 |
| 32180192 | 7 7/32 | 7 15/32 | 10 7/8 | 25 19/32 | 14 31/32 | 24 13/16 | 43 29/32 | 1579 |
| 32190205 | 7 15/32 | 7 7/8 | 11 1/32 | 27 7/32 | 15 15/16 | 26 | 46 7/16 | 1850 |

Tolerance: Inside length ± 7.5%, all other forged parts ± 5%, machined parts ± 1/32 inch

GN ROPE FITTINGS

North American Stocking Distributor



8125 Saran Dr. • Playa del Rey, CA 90293
 Phone: 310.448.5444 • Fax: 310.448.5446
 sales@awrrinc.com
 www.AssociatedWireRope.com

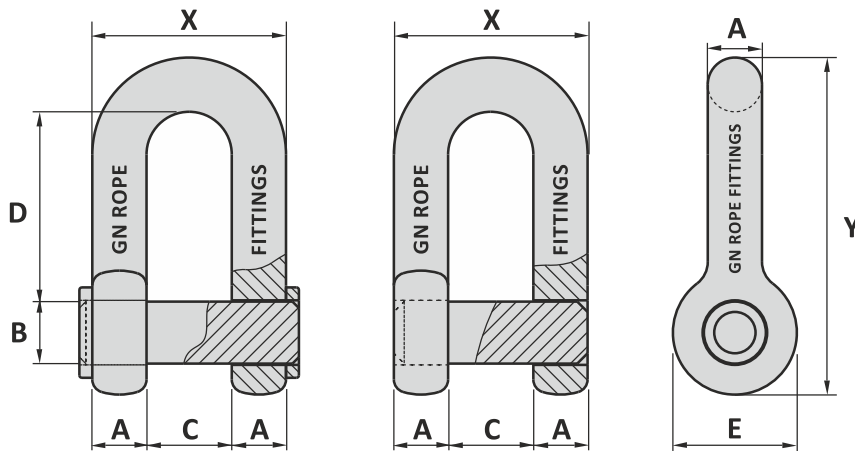


CROWN PIN SHACKLE

TYPE D10

Material : High tensile steel
 Finish : Self coloured
 Temperature range : -20°C up to +200°C
 Standard certification : Certificate of Conformity

Non-standard sizes or custom products available on request



| Art. No. | A mm | B mm | C mm | D mm | E mm | X mm | Y mm | Weight kg |
|----------|------|------|------|------|------|------|------|-----------|
| 31424840 | 44 | 48 | 66 | 147 | 96 | 154 | 263 | 11 |
| 31485230 | 49 | 52 | 73 | 158 | 104 | 171 | 285 | 14 |
| 31526040 | 55 | 60 | 81 | 185 | 120 | 191 | 330 | 21 |
| 31606830 | 61 | 68 | 90 | 211 | 136 | 212 | 374 | 30 |
| 31657240 | 67 | 72 | 100 | 221 | 144 | 234 | 396 | 36 |
| 31708040 | 74 | 80 | 110 | 246 | 160 | 258 | 440 | 49 |
| 31809040 | 75 | 90 | 125 | 276 | 180 | 275 | 486 | 75 |
| 31901004 | 90 | 100 | 140 | 307 | 200 | 316 | 545 | 100 |
| 31950000 | 100 | 110 | 155 | 339 | 230 | 347 | 600 | 130 |
| 31990000 | 110 | 125 | 175 | 385 | 250 | 395 | 684 | 180 |
| 31999999 | 125 | 140 | 200 | 430 | 280 | 450 | 765 | 260 |
| 32140152 | 140 | 150 | 210 | 475 | 305 | 490 | 843 | 335 |
| 32150164 | 150 | 160 | 220 | 525 | 330 | 520 | 920 | 413 |
| 32160170 | 160 | 170 | 235 | 560 | 340 | 555 | 975 | 500 |
| 32170180 | 170 | 180 | 250 | 610 | 350 | 590 | 1045 | 601 |
| 32180192 | 180 | 190 | 270 | 650 | 380 | 630 | 1115 | 716 |
| 32190205 | 190 | 200 | 280 | 690 | 405 | 660 | 1183 | 839 |

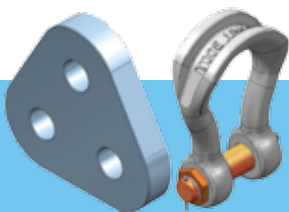
Tolerance: Inside length $\pm 7.5\%$, all other forged parts $\pm 5\%$, machined parts ± 1 mm

GN ROPE FITTINGS

North American Stocking Distributor

8125 Saran Dr. • Playa del Rey, CA 90293
 Phone: 310.448.5444 • Fax: 310.448.5446

sales@awrrinc.com
 www.AssociatedWireRope.com



GENERAL

SHACKLES

THIMBLES

SOCKETS

LINKS

SWIVELS

HOOKS

MOORING

SPECIALS