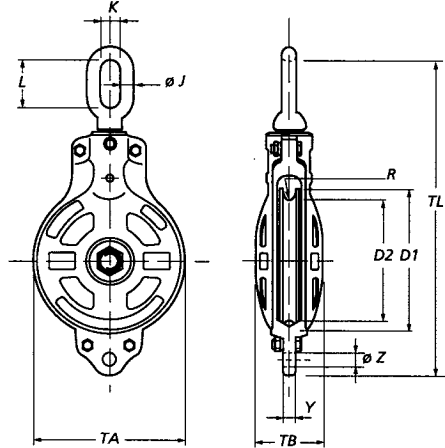


# American Pattern Cargo Blocks 1 Sheave/Oval Eye



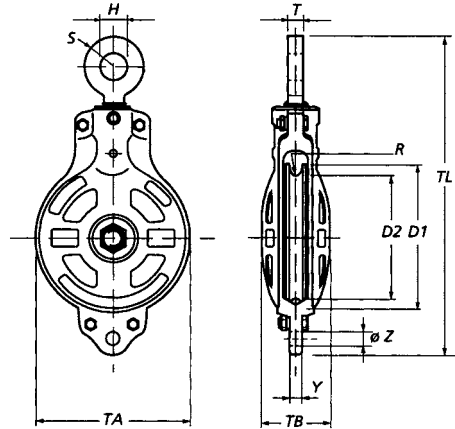
Stock No.	WLL (t)	Rope size up to (mm)	Dimensions (mm)										Weight (kg)	
			D1	D2	ØJ	K	L	R	Y	ØZ	TA	TB		TL
17.010.06.11	6	16 - 20	260	225	25	43	85	10	36	30	285	135	592	26
17.012.10.11	10	20 - 22	300	265	28	50	92	11	38	30	330	140	667	40
17.014.10.11	10	20 - 24	340	300	35	50	97	12	44	35	380	150	765	54
17.016.20.11	20	24 - 28	405	357	40	62	140	13	60	40	440	180	932	94

Minimum Ultimate Strength = 4 x WLL.

WLL= Working Load Limit on head fitting.

- Tapered roller bearings.
- Standard fitted with becket hole.
- Certificate on request only and at additional costs.

# American Pattern Cargo Blocks 1 Sheave/Round Eye



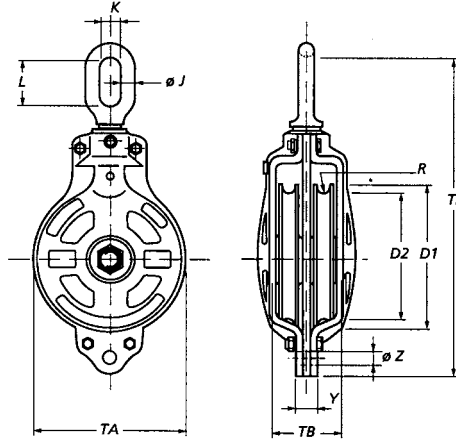
Stock No.	WLL (t)	Rope size up to (mm)	Dimensions (mm)											Weight (kg)
			D1	D2	H	T	S	R	Y	ØZ	TA	TB	TL	
17.010.06.17	6	16 - 20	260	225	35	36	38	10	36	30	285	135	592	26
17.012.10.17	10	20 - 22	300	265	53	48	56	11	38	30	330	140	667	40
17.014.10.17	10	20 - 24	340	300	53	48	56	12	44	35	380	150	765	54
17.016.20.17	20	24 - 28	405	357	63	67	65	13	60	40	440	180	932	94

Minimum Ultimate Strength = 4 x WLL.

WLL= Working Load Limit on head fitting.

- Tapered roller bearings.
- Standard fitted with becket hole.
- Certificate on request only and at additional costs.

# American Pattern Cargo Blocks 2 Sheave/Oval Eye



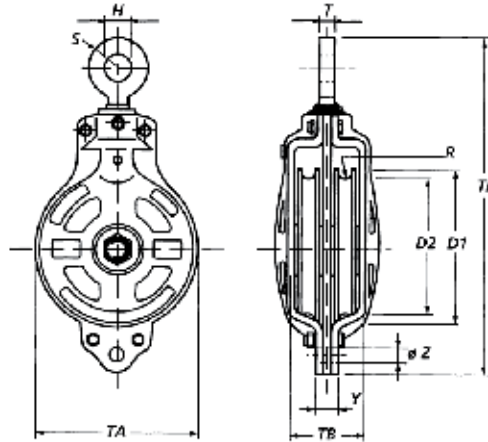
Stock No.	WLL (t)	Rope size up to (mm)	Dimensions (mm)										Weight (kg)	
			D1	D2	ØJ	K	L	R	Y	ØZ	TA	TB		TL
17.010.08.21	8	16 - 20	260	225	28	50	92	10	46	30	285	170	615	44
17.012.10.21	10	20 - 22	300	265	35	50	97	11	46	30	330	200	697	65
17.016.20.21	20	24 - 26	405	357	48	75	150	13	70	45	440	280	986	152

Minimum Ultimate Strength = 4 x WLL.

WLL= Working Load Limit on head fitting.

- Tapered roller bearings.
- Standard fitted with becket hole.
- Certificate on request only and at additional costs.

# American Pattern Cargo Blocks 2 Sheaves/Round Eye



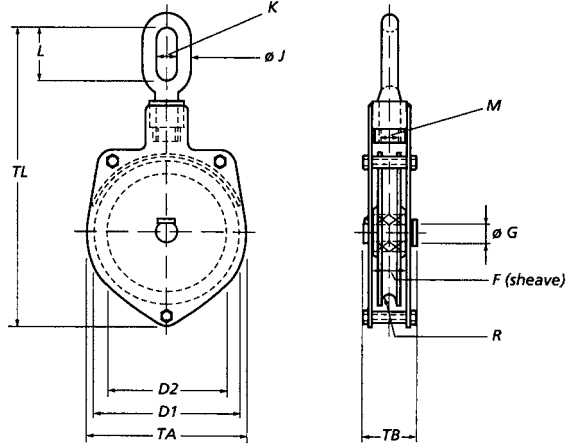
Stock No.	WLL (t)	Rope size up to (mm)	Dimensions (mm)										Weight (kg)	
			D1	D2	H	T	S	R	Y	ØZ	TA	TB		TL
17.010.08.27	8	16 - 20	260	225	53	48	56	10	46	30	285	170	615	44
17.012.10.27	10	20 - 22	300	265	53	48	56	11	46	30	330	200	697	65
17.016.20.27	20	24 - 26	405	357	70	78	80	13	70	45	440	280	986	152

Minimum Ultimate Strength = 4 x WLL.

WLL= Working Load Limit on head fitting.

- Tapered roller bearings.
- Standard fitted with becket hole.
- Certificate on request only and at additional costs.

# Ricotto Blocks



Stock No.	WLL (t)	Wire (mm)	Bearing	Dimensions (mm)												Weight (kg)
				D1	D2	F	ØG	ØJ	K	L	M	R	TA	TB	TL	
15.250.05.10	5	20	TP	250	215	51	30	26	40	94	33	11	260	90	520	21
15.251.05.10	5	20	RB	250	215	51	30	26	40	94	33	11	260	90	520	21
15.300.07.10	7	20	TP	300	250	62	40	29	45	108	43	11	310	100	645	32
15.301.07.10	7	20	RB	300	250	62	40	29	45	108	43	11	310	100	645	32

Minimum Ultimate Strength = 4 x WLL.

- Standard zinc electroplated.
- Sheave fitted with cylindrical roller bearing.
- 300 mm sheave with hardened groove.