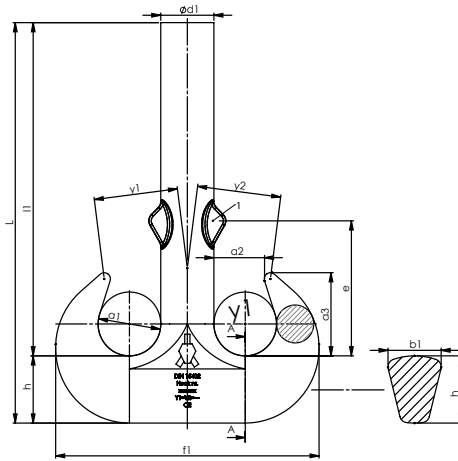


Double Hook



Hook No.	Lifting Capacity US tons V-Class Hook	Lifting Capacity Metric tons V-Class Hook	Lifting Capacity US tons T-Class Hook	Lifting Capacity Metric tons T-Class Hook	Lifting Capacity US tons P-Class Hook	Lifting Capacity Metric tons P-Class Hook	Dimensions (inch)											Weight (kg)	Weight (lbs)
							a1	a2	a3	b1	d1	e	f1	h	L	l1	y1 = y2		
1,6	8.8	8	6,93	6,3	4,4	4	1.77	1.42	2.32	1.34	1.42	3.94	7.20	1.69	10.43	8.74	2.36	5	12
2,5	13.75	12.5	11	10	6.93	6,3	1.97	1.57	2.56	1.57	1.65	4.41	8.19	1.97	11.81	9.84	2.56	7	15
4	22	20	17.6	16	11	10	2.20	1.77	2.87	1.89	1.89	4.88	9.37	2.36	15.35	12.99	3.66	10	22
5	27.5	25	22	20	13.75	12,5	2.48	1.97	3.23	2.09	2.09	5.63	10.47	2.64	14.65	12.01	3.66	13	28
6	35.2	32	27,5	25	17.6	16	2.80	2.20	3.62	2.36	2.36	6.30	11.85	2.95	19.88	16.93	3.66	18	39
8	44	40	35,2	32	22	20	3.15	2.48	4.06	2.64	2.64	7.17	13.27	3.35	21.06	17.72	4.11	26	58
10	55	50	44	40	27.5	25	3.54	2.80	4.57	2.95	2.95	7.56	14.84	3.74	23.03	19.29	4.63	35	77
12	69.3	63	55	50	35.2	32	3.94	3.15	5.12	3.35	3.35	8.27	16.57	4.17	24.25	20.08	5.22	49	108
16	88	80	69.3	63	44	40	4.41	3.54	5.75	3.74	3.74	9.33	18.54	4.65	28.27	23.62	5.85	60	132
20	110	100	88	80	55	50	4.92	3.94	6.42	4.17	4.17	10.43	20.91	5.20	33.54	28.35	6.52	97	214
25	137.5	125	110	100	69.3	63	5.51	4.41	7.17	4.65	4.65	12.40	23.54	5.91	39.37	33.46	7.28	135	298
32	176	160	137.5	125	88	80	6.30	4.92	8.07	5.20	5.20	13.19	26.46	6.69	40.16	33.46	8.15	193	425
40	220	200	176	160	110	100	7.09	5.51	9.06	5.91	5.91	14.76	29.69	7.48	47.83	40.35	9.17	280	617
50	275	250	220	200	137.5	125	7.87	6.30	10.24	6.69	6.69	16.54	33.15	8.35	51.65	43.31	10.43	338	745
63	352	320	275	250	176	160	8.82	7.09	11.50	7.48	7.48	18.11	37.17	9.29	56.54	47.24	11.69	539	1188
80	440	400	352	320	220	200	9.84	7.87	12.80	8.35	8.35	20.28	41.81	10.43	59.65	49.21	13.03	760	1676
100	550	500	440	400	275	250	11.02	8.82	14.33	9.29	9.29	22.64	46.69	11.81	67.91	56.10	14.57	1100	2425
125	693	630	550	500	352	320	12.40	9.84	16.06	10.43	10.43	25.39	52.36	13.19	74.21	61.02	16.32	1491	3287
160	880	800	693	630	440	400	13.98	11.02	18.03	11.81	11.81	28.54	59.25	14.76	83.46	68.70	18.35	2115	4663
200	1100	1000	880	800	550	500	15.75	12.40	20.28	13.19	13.19	31.50	66.34	16.73	95.39	78.66	20.7	3015	6647
250	1375	1250	1100	1000	693	630	17.72	13.98	22.83	14.76	14.76	34.45	74.21	18.70	107.28	88.58	23.13	4268	9409

- Hooks shown here are standard models; inquiries for custom versions are welcome.
- Lifting capacity determined according to crane group 1Bm as specified in DIN 15400.



SEE OUR WARNINGS AND APPLICATION INSTRUCTIONS

