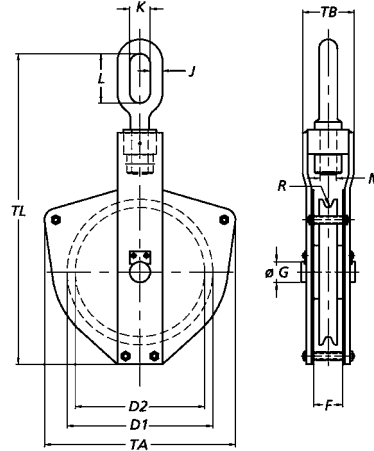


# Anchor Boom Blocks



| Stock No.    | WLL (t) | Wire up to (mm) | Dimensions (mm) |     |    |    |    |    |     |    |      |     |     |      | Weight (kg) |
|--------------|---------|-----------------|-----------------|-----|----|----|----|----|-----|----|------|-----|-----|------|-------------|
|              |         |                 | D1              | D2  | F  | ØG | J  | K  | L   | M  | R    | TA  | TB  | TL   |             |
| 26.200.03.10 | 3       | 10              | 200             | 165 | 40 | 30 | 21 | 32 | 72  | 30 | 5.5  | 270 | 230 | 465  | 13.5        |
| 26.250.04.10 | 4       | 12              | 250             | 210 | 45 | 35 | 26 | 40 | 94  | 33 | 6.5  | 320 | 280 | 556  | 22          |
| 26.300.06.10 | 6       | 14              | 300             | 255 | 50 | 40 | 29 | 45 | 108 | 42 | 7.5  | 400 | 360 | 653  | 35          |
| 26.350.08.10 | 8       | 18              | 350             | 300 | 45 | 45 | 32 | 49 | 115 | 45 | 9.5  | 450 | 400 | 714  | 72          |
| 26.400.12.10 | 12      | 20              | 400             | 345 | 50 | 60 | 41 | 60 | 144 | 56 | 11.0 | 502 | 440 | 1014 | 85          |
| 26.450.16.10 | 16      | 22              | 450             | 390 | 60 | 70 | 46 | 66 | 163 | 64 | 12.0 | 560 | 510 | 1094 | 105         |
| 26.500.18.10 | 18      | 24              | 500             | 430 | 70 | 75 | 51 | 72 | 173 | 72 | 13.0 | 610 | 520 | 1097 | 135         |
| 26.500.20.10 | 20      | 36              | 500             | 430 | 70 | 80 | 51 | 72 | 173 | 72 | 19.5 | 620 | 550 | 1114 | 164         |

WLL= Working Load Limit on head fitting.

- Sheaves standard fitted with cylindrical roller bearing.
- Optionally supplied with roller thrust bearing for lifting eye.
- Groove in sheave may be adjusted to other wire rope diameters.