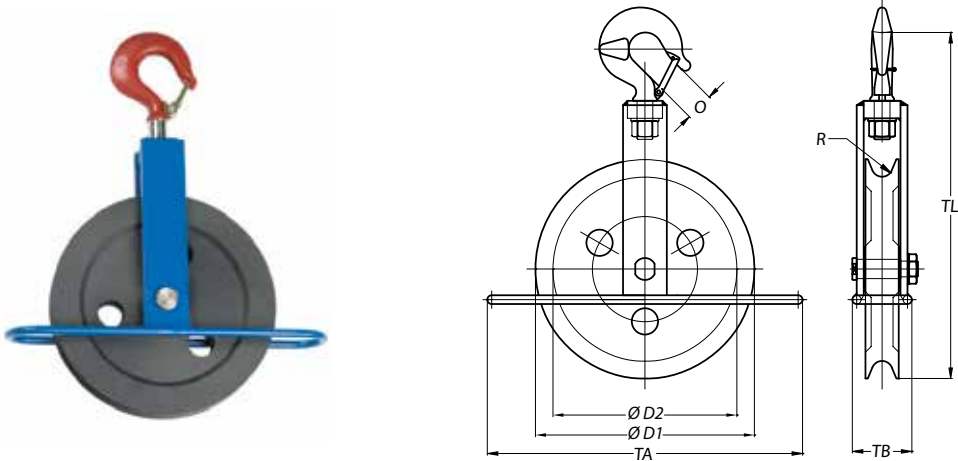


Gin Block



Stock No.	Tons on (t)	Rope size up to (mm)	Dimensions (mm)						Weight (kg)
			ØD1	ØD2	R	TA	TB	TL	
19.250.01.14	1.5	22	250	210	12	360	68	395	8

Minimum Ultimate Strength = 4 x WLL.

- WLL= Working Load Limit on head fitting.
- Sheave bearing standard with bronze bushing.
 - Sheave made out of technical plastic.



SEE OUR WARNINGS AND APPLICATION INSTRUCTIONS

