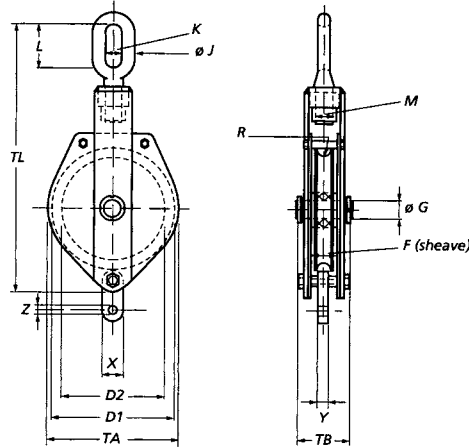


# Cargo Blocks with Becket

Can also be delivered with:



| Stock No.    | WLL (t) | Wire up to (mm) | Dimensions (mm) |     |    |    |    |    |     |    |     |     |     |      |    |    |    | Weight (kg) |
|--------------|---------|-----------------|-----------------|-----|----|----|----|----|-----|----|-----|-----|-----|------|----|----|----|-------------|
|              |         |                 | D1              | D2  | F  | øG | øJ | K  | L   | M  | R   | TA  | TB  | TL   | X  | Y  | Z  |             |
| 13.250.06.11 | 6       | 18              | 250             | 210 | 45 | 35 | 29 | 45 | 108 | 42 | 9.5 | 270 | 105 | 630  | 50 | 25 | 25 | 22          |
| 13.300.09.11 | 9       | 20              | 300             | 255 | 50 | 40 | 36 | 54 | 125 | 52 | 11  | 320 | 125 | 750  | 65 | 30 | 33 | 35          |
| 13.350.12.11 | 12      | 22              | 350             | 305 | 60 | 45 | 41 | 60 | 144 | 56 | 12  | 380 | 140 | 840  | 65 | 30 | 33 | 55          |
| 13.400.15.11 | 15      | 24              | 400             | 345 | 65 | 50 | 46 | 66 | 163 | 64 | 13  | 430 | 153 | 980  | 90 | 40 | 42 | 81          |
| 13.450.24.11 | 24      | 28              | 450             | 390 | 70 | 70 | 60 | 80 | 195 | 76 | 15  | 480 | 170 | 1130 | 95 | 45 | 48 | 145         |

Minimum Ultimate Strength = 4 x WLL.

WLL= Working Load Limit on head fitting.

- These cargo blocks may be used as an alternative for JIS-blocks.
- Standard fitted with cylindrical roller bearings.
- Cargo blocks can also be supplied with jaw, stud eye or duckbill eye.
- Groove in sheave may be adjusted to other wire rope diameters.