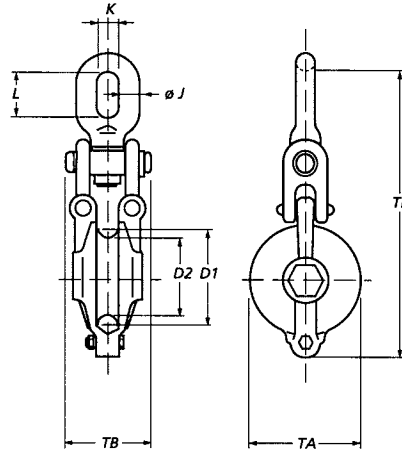


Lashing Snatch Block



Stock No.	Test Load on eye (t)	Wire size (mm)	Dimensions (mm)								Weight (kg)
			D1	D2	øJ	K	L	TA	TB	TL	
19.006.05.10	15	20 - 24	145	116	25	42	78	180	132	448	16

Minimum Ultimate Strength = 4 x WLL.

- To be used for lashing only.
- Sheave bearing standard with grease lubricated bush.
- Certificate on request only and at additional costs.