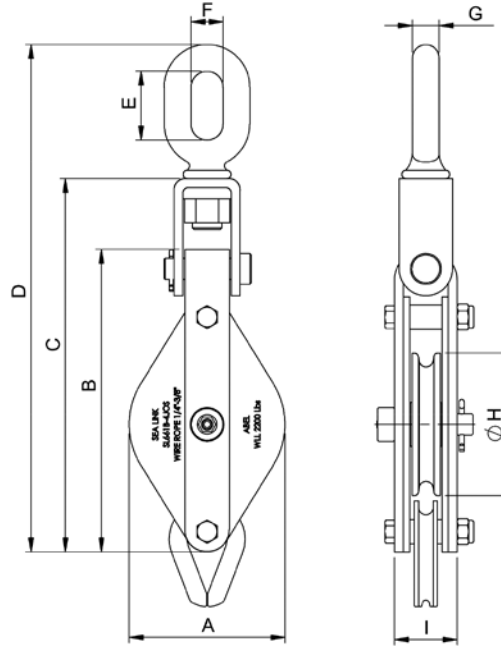


660 Series Steel Shell Wire Rope Blocks





Oblong Eye (JOS)



Swivel Eye & Shackle (JDS)



Jaw Swivel Hook (JSH)

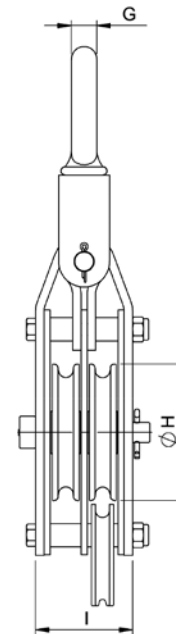
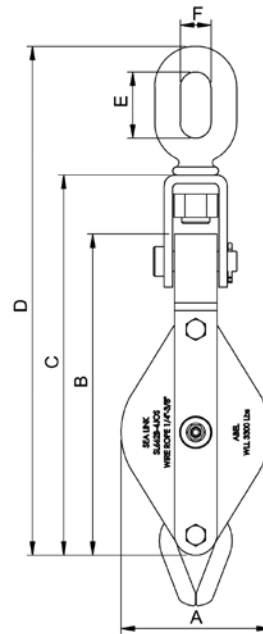
Model Nr.	WLL Lbs	Wire Rope ØR	Dimensions									Weight (lbs)		
			A	B	C	D	E	F	G	ØH	I	JOS	JDS	JSH
												Oblong Eye	S. Eye & Shackle	Swivel Hook
SL661B-4	3300	1/4 - 3/8	4.3	8.5	10.6	15.0	2.4	1.1	0.75	4	1.8	9	9	9
SL661B-6	4400	1/4 - 1/2	6.3	12.6	14.6	20.5	2.6	1.3	0.87	6	2.2	17	17	17
SL661B-8	5500	3/8 - 5/8	8.3	15.7	18.5	23.6	3.0	1.4	1.0	8	2.6	25	25	25
SL661B-10	6600	1/2 - 3/4	10.2	19.3	22.4	28.5	3.2	1.5	1.12	10	3.0	53	53	53
SL661B-12	8800	5/8 - 3/4	12.4	23.2	26.4	32.5	3.2	1.5	1.26	12	3.0	66	66	66

- Blocks built to 4:1 Design Factor.
- Blocks made with Bronze Bushed sheaves to SAE64 specifications.
- All accessories are forged.
- Dimensions shown represent current models and are subject to change.
- Blocks shown are standard models.
- Custom models available upon request.

See our warnings & application instructions



Oblong Eye (JOS)



Swivel Eye & Shackle (JDS)



Jaw Swivel Hook (JSH)

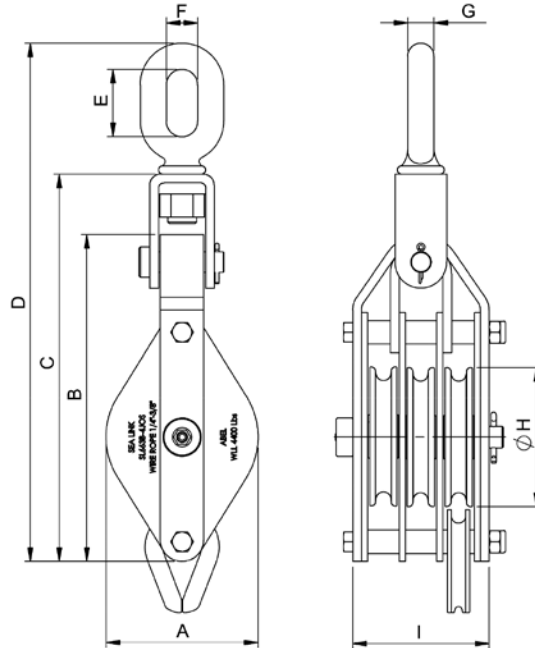
Model Nr.	WLL Lbs	Wire Rope ØR	Dimensions									Weight (lbs)		
			A	B	C	D	E	F	G	ØH	I	JOS	JDS	JSH
												Oblong Eye	S. Eye & Shackle	Swivel Hook
SL662B-4	4400	1/4 - 3/8	4.3	9.4	10.6	15.0	2.4	1.1	0.75	4	2.8	12	12	12
SL662B-6	5500	1/4 - 1/2	6.3	12.6	14.6	20.5	2.6	1.3	0.87	6	3.6	25	25	25
SL662B-8	6600	3/8 - 5/8	8.3	15.7	18.5	23.6	3.0	1.4	1.0	8	4.3	44	44	44
SL662B-10	8800	1/2 - 3/4	10.2	19.7	22.4	28.5	3.2	1.5	1.12	10	5.0	80	80	80
SL662B-12	13200	5/8 - 3/4	12.4	23.6	26.4	32.5	3.2	1.5	1.26	12	5.0	101	101	101

- Blocks built to 4:1 Design Factor.
- Blocks made with Bronze Bushed sheaves to SAE64 specifications.
- All accessories are forged.
- Dimensions shown represent current models and are subject to change.
- Blocks shown are standard models.
- Custom models available upon request.

See our warnings & application instructions



Oblong Eye (JOS)



Swivel Eye & Shackle (JDS)



Jaw Swivel Hook (JSH)

Model Nr.	WLL Lbs	Wire Rope ØR	Dimensions									Weight (lbs)		
			A	B	C	D	E	F	G	ØH	I	JOS	JDS	JSH
												Oblong Eye	S. Eye & Shackle	Swivel Hook
SL663B-4	4400	1/4 - 3/8	4.3	9.4	10.6	15.0	2.4	1.1	0.75	4	3.9	15	15	15
SL663B-6	6600	1/4 - 1/2	6.3	12.6	14.6	20.5	2.6	1.3	0.87	6	5.1	33	33	33
SL663B-8	8800	3/8 - 5/8	8.3	15.7	18.5	23.6	3.0	1.4	1.0	8	6.1	57	57	57
SL663B-10	13200	1/2 - 3/4	10.2	19.7	22.4	28.5	3.2	1.5	1.12	10	7.0	106	106	106
SL663B-12	15400	5/8 - 3/4	12.4	23.6	26.4	32.5	3.2	1.5	1.26	12	7.0	134	134	134

- Blocks built to 4:1 Design Factor.
- Blocks made with Bronze Bushed sheaves to SAE64 specifications.
- All accessories are forged.
- Dimensions shown represent current models and are subject to change.
- Blocks shown are standard models.
- Custom models available upon request.

See our warnings & application instructions



Snap Hook with
Safety Latch

H



Swivel Hook
with Safety Latch

Connection – SH



Open Bail Hook
with Safety Latch

Connection – JSH



Drilled Swivel Eye
Connection - JSE



Drilled Swivel Eye
and Shackle

Connection – JDS



Oblong Swivel Eye

Connection – JOS



Oblong Swivel Eye
and Shackle

Connection – JOSS



Jaw and Eye Swivel

Connection - JE



Chain Shackle

Connection – SPC



Upset Shackle in Shackle

Connection – SPA-USPA



Upset Screw Pin
Anchor Shackle

Connection – USPA



Drilled Swivel Eye

Connection – SE



Drilled Swivel Eye
with Shackle

Connection – DS



Oblong Swivel Eye

Connection – OS



Oblong Swivel Eye
with Shackle

Connection – OSS