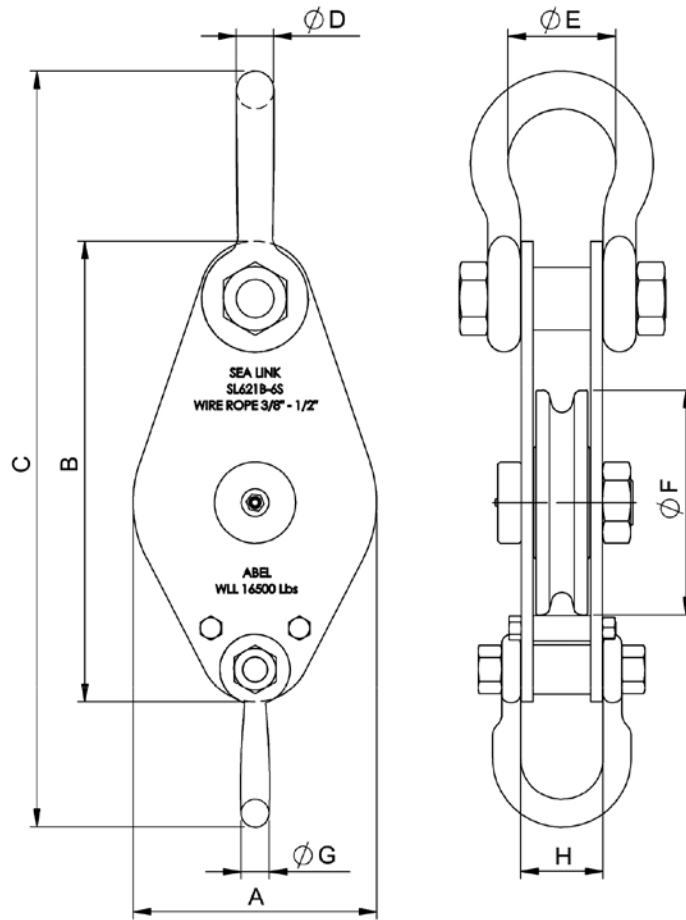


# 620 Series Medium Weight Oval Pattern Construction Blocks



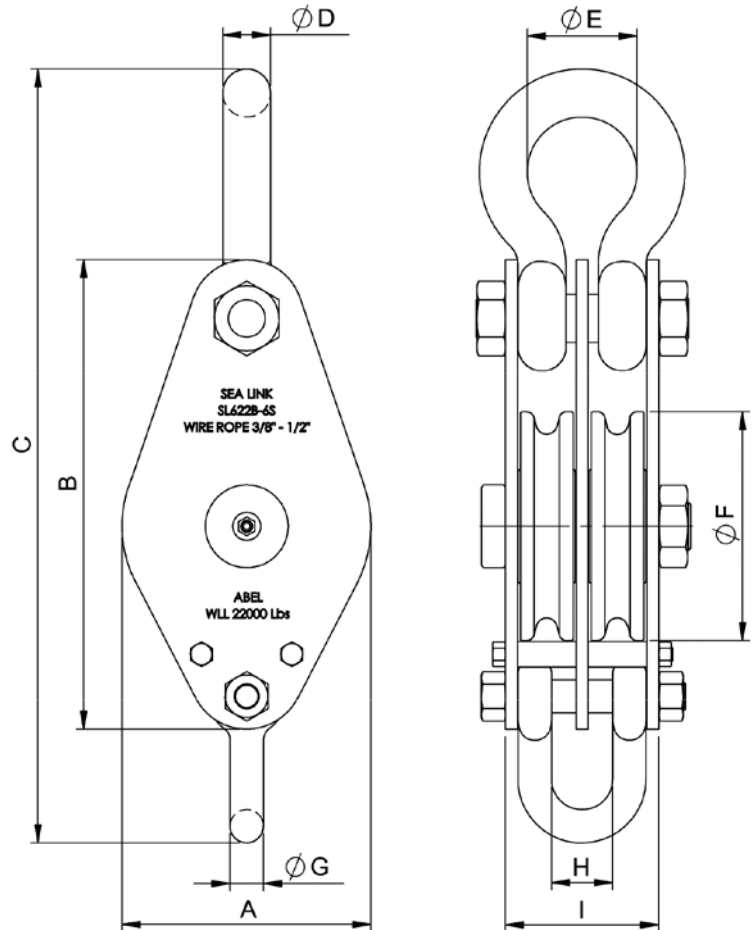


Model Nr.	WLL Lbs	Wire Rope ØR	Dimensions								Weight (Lbs)
			A	B	C	ØD	ØE	ØF	ØG	H	
SL621B-6S	16500	3/8 - 1/2	6.5	12.3	20.5	1.0	2.87	6	0.75	2.2	28
SL621B-8S	16500	1/2 - 5/8	8.5	14.6	22.8	1.0	2.87	8	0.75	2.2	39
SL621B-10S	22000	5/8 - 3/4	10.2	18.1	26.4	1.1	2.87	10	0.75	2.2	55

**SL700B** Available diamond pattern, upon request.

- Blocks built to 4:1 Design Factor.
- Blocks made with Bronze Bushed sheaves to SAE64 specifications.
- All accessories are forged.
- Dimensions shown represent current models and are subject to change.
- Blocks shown are standard models.
- Custom models available upon request.

See our warnings & application instructions

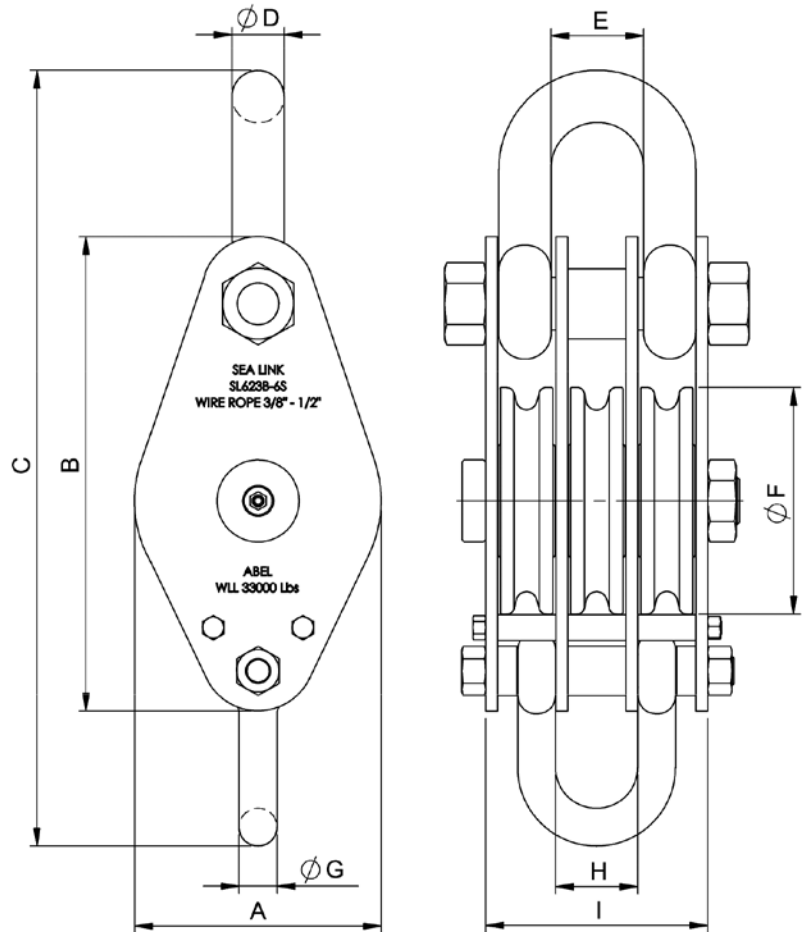


Model Nr.	WLL Lbs	Wire Rope ØR	Dimensions									Weight (Lbs)
			A	B	C	ØD	ØE	ØF	ØG	H	I	
SL622B-6S	22000	3/8 - 1/2	6.5	12.3	20.5	1.25	2.87	6	0.87	1.6	4.0	44
SL622B-8S	22000	1/2 - 5/8	8.5	14.6	22.8	1.25	2.87	8	0.87	1.6	4.0	57
SL622B-10S	33000	5/8 - 3/4	10.2	18.1	26.4	1.38	2.87	10	0.87	1.6	4.0	88

**SL700B** Available diamond pattern, upon request.

- Blocks built to 4:1 Design Factor.
- Blocks made with Bronze Bushed sheaves to SAE64 specifications.
- All accessories are forged.
- Dimensions shown represent current models and are subject to change.
- Blocks shown are standard models.
- Custom models available upon request.

See our warnings & application instructions



Model Nr.	WLL Lbs	Wire Rope ØR	Dimensions									Weight (Lbs)
			A	B	C	ØD	E	ØF	ØG	H	I	
SL623B-6S	33000	3/8 - 1/2	6.5	12.3	20.5	1.38	2.4	6	1.0	2.2	5.9	59
SL623B-8S	33000	1/2 - 5/8	8.5	14.6	22.8	1.38	2.4	8	1.0	2.2	5.9	78
SL623B-10S	44000	5/8 - 3/4	10.2	18.1	26.4	1.5	2.2	10	1.0	2.2	5.9	120

**SL700B** Available diamond pattern, upon request.

- Blocks built to 4:1 Design Factor.
- Blocks made with Bronze Bushed sheaves to SAE64 specifications.
- All accessories are forged.
- Dimensions shown represent current models and are subject to change.
- Blocks shown are standard models.
- Custom models available upon request.

See our warnings & application instructions