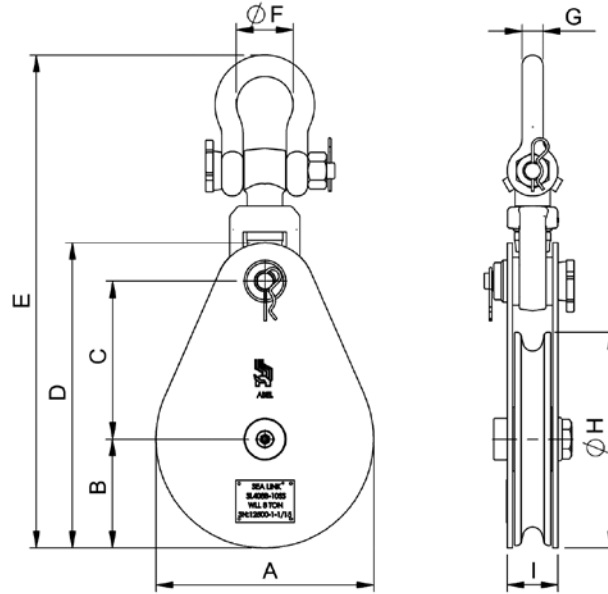


400 Series Steel Shell Wire Rope Snatch Blocks





Tailboard (TB)



Swivel Shackle (SS)



Swivel Hook (SH)



Top Dead End (TDE)

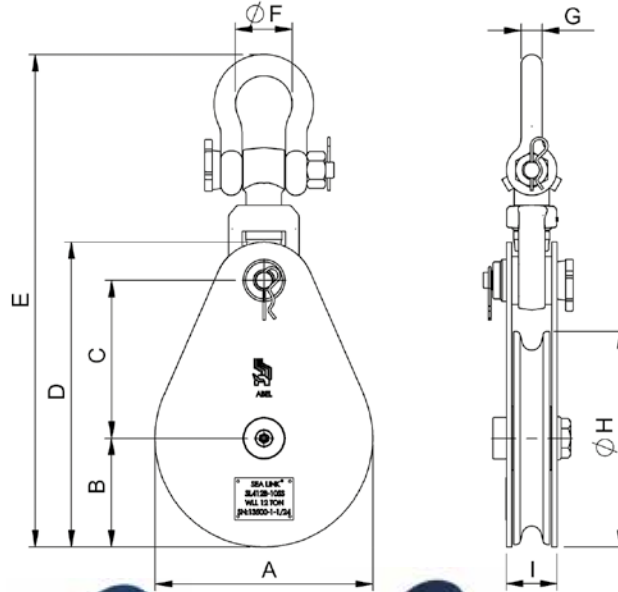
Model Nr.	WLL Tons	Wire Rope ØR	Dimensions						Weight (lbs)		
			A	B	C	D	ØE	F	SS Shackle	SH Hook	TB Tailboard
SL402B-3	2	5/16 - 3/8	3.0	1.5	2.7	5.0	3.0	1.4	5	5	
SL404B-4.5	4	3/8 - 1/2	4.6	2.3	4.2	7.6	4.5	1.9	13	13	
SL408B-6	8	5/8 - 3/4	6.0	3.0	5.1	9.9	6.0	2.3	30	33	18
SL408B-8	8	5/8 - 3/4	8.0	4.0	6.3	12.0	8.0	2.4	39	42	28
SL408B-10	8	5/8 - 3/4	10.2	5.1	7.4	14.4	10.0	2.4	46	49	34
SL408B-12	8	5/8 - 3/4	12.0	6.0	9.2	17.0	12.0	2.4	58	61	47

- Blocks built to 4:1 Design Factor.
- Available with these top fittings - Swivel Hook (SH), Swivel Shackle (SS), Tailboard (TB) and Top Dead End (TDE).
- Available with Bronze Bushing (B).
- All accessories are forged.
- Products are manufactured under the Standard ASME B30.26
- Dimensions shown represent current models and are subject to change.
- Blocks shown are standard models.
- Custom models available upon request.

See our warnings & application instructions



Tailboard (TB)



Swivel Shackle (SS)



Swivel Hook (SH)



Top Dead End (TDE)

Model Nr.	WLL Tons	Wire Rope ØR	Dimensions						Weight (lbs)		
			A	B	C	D	ØE	F	SS	SH	TB
									Shackle	Hook	Tailboard
SL412B-6	12	3/4 - 7/8	6.0	3.0	5.1	9.9	6.0	2.3	30	33	19
SL412B-8	12	3/4 - 7/8	8.0	4.0	6.3	12.0	8.0	2.4	39	42	28
SL412B-10	12	3/4 - 7/8	10.2	5.1	7.4	14.4	10.0	2.4	46	49	34
SL412B-12	12	3/4 - 7/8	12.0	6.0	9.2	17.0	12.0	2.4	58	61	47

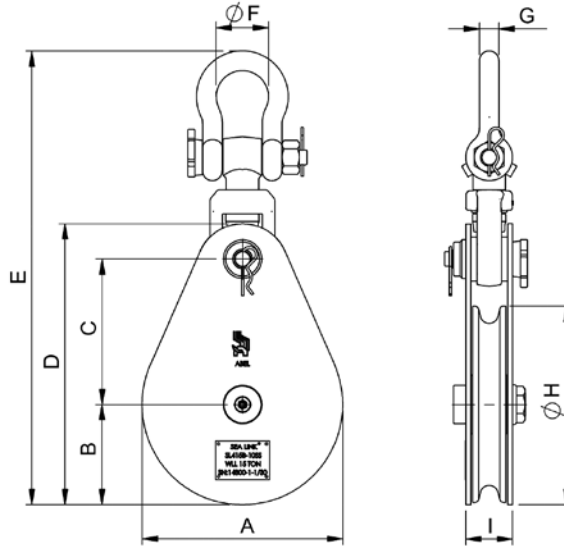
Model Nr.	WLL Tons	Wire Rope ØR	Dimensions						Weight (lbs)		
			A	B	C	D	ØE	F	SS	SH	TB
									Shackle	Hook	Tailboard
SL412R-8	12	3/4 - 7/8	8.0	4.0	6.3	12.0	8.0	2.4	39	42	28
SL412R-10	12	3/4 - 7/8	10.2	5.1	7.4	14.4	10.0	2.4	46	49	34
SL412R-12	12	3/4 - 7/8	12.0	6.0	9.2	17.0	12.0	2.4	58	61	47

- Blocks built to 4:1 Design Factor.
- Available with these top fittings - Swivel Hook (SH), Swivel Shackle (SS), Tailboard (TB) and Top Dead End (TDE).
- Available with Bronze Bushing (B) and Roller Bearing (R).
- All accessories are forged.
- Products are manufactured under the Standard ASME B30.26
- Dimensions shown represent current models and are subject to change.
- Blocks shown are standard models.
- Custom models available upon request.

See our warnings & application instructions



Tailboard (TB)



Swivel Shackle (SS)



Top Dead End (TDE)

Model Nr.	WLL Tons	Wire Rope ØR	Dimensions						Weight (lbs)	
			A	B	C	D	ØE	F	SS	TB
									Shackle	Tailboard
SL415B-8	15	3/4 - 7/8	8.0	4.0	7.0	12.5	8.0	3.0	59	38
SL415B-10	15	3/4 - 7/8	10.2	5.1	7.9	14.9	10.0	3.0	69	47
SL415B-12	15	3/4 - 7/8	12.0	6.0	9.2	17.5	12.0	3.0	80	57

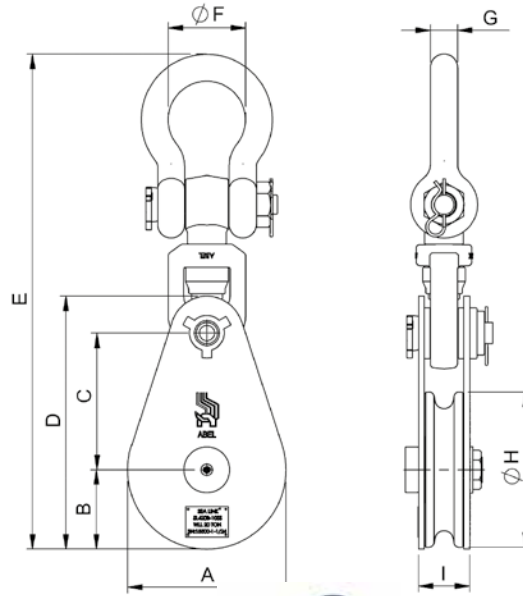
Model Nr.	WLL Tons	Wire Rope ØR	Dimensions						Weight (lbs)	
			A	B	C	D	ØE	F	SS	TB
									Shackle	Tailboard
SL415R-8	15	3/4 - 7/8	8.0	4.0	7.0	12.5	8.0	3.0	59	38
SL415R-10	15	3/4 - 7/8	10.2	5.1	7.9	14.9	10.0	3.0	69	47
SL415R-12	15	3/4 - 7/8	12.0	6.0	9.2	17.5	12.0	3.0	80	57

- Blocks built to 4:1 Design Factor.
- Available with these top fittings - Swivel Shackle (SS), Tailboard (TB) and Top Dead End (TDE).
- Available with Bronze Bushing (B) and Roller Bearing (R).
- All accessories are forged.
- Products are manufactured under the Standard ASME B30.26
- Dimensions shown represent current models and are subject to change.
- Blocks shown are standard models.
- Custom models available upon request.

See our warnings & application instructions



Tailboard (TB)



Swivel Shackle (SS)



Top Dead End (TDE)

Model Nr.	WLL Tons	Wire Rope ØR	Dimensions						Weight (lbs)	
			A	B	C	D	ØE	F	SS	TB
									Shackle	Tailboard
SL420B-8	20	1 - 1 1/8	8.0	4.0	8.0	14.4	8.0	3.3	90	51
SL420B-10	20	1 - 1 1/8	10.2	5.1	8.8	16.4	10.0	3.3	103	64
SL420B-12	20	1 - 1 1/8	12.0	6.0	10.0	18.4	12.0	3.3	118	79

Model Nr.	WLL Tons	Wire Rope ØR	Dimensions						Weight (lbs)	
			A	B	C	D	ØE	F	SS	TB
									Shackle	Tailboard
SL420R-8	20	1 - 1 1/8	8.0	4.0	8.0	14.4	8.0	3.3	90	51
SL420R-10	20	1 - 1 1/8	10.2	5.1	8.8	16.4	10.0	3.3	103	64
SL420R-12	20	1 - 1 1/8	12.0	6.0	10.0	18.4	12.0	3.3	118	79

- Blocks built to 4:1 Design Factor.
- Available with these top fittings - Swivel Shackle (SS), Tailboard (TB) and Top Dead End (TDE).
- Available with Bronze Bushing (B) and Roller Bearing (R).
- All accessories are forged.
- Products are manufactured under the Standard ASME B30.26
- Dimensions shown represent current models and are subject to change.
- Blocks shown are standard models.
- Custom models available upon request.

See our warnings & application instructions