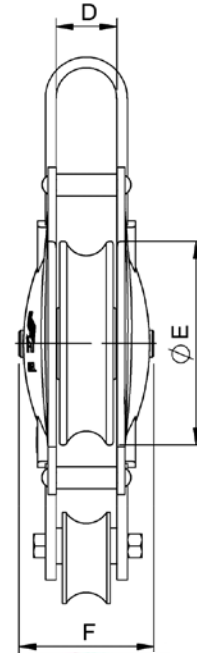
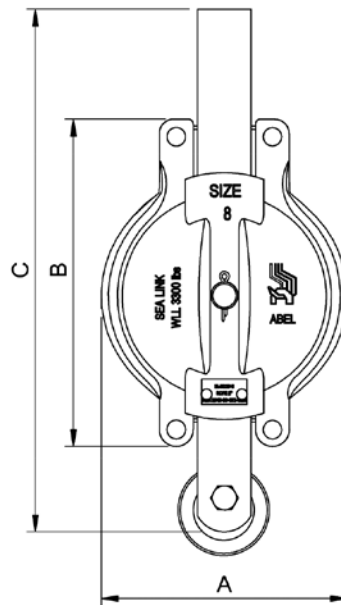


# 320 Series Malleable Style Steel Shell Manila Rope Blocks





No Fitting (NF)



Shackle (S)



Swivel Hook (SH)



Eye Hook (H)



Special

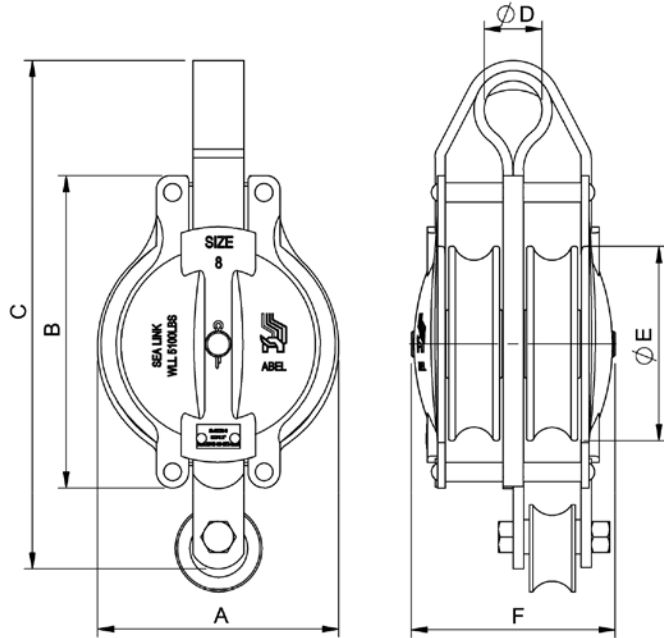
Model Nr.	WLL Lbs	Rope ØR	Dimensions						Weight (lbs)			
									S	SH	H	NF
			A	B	C	D	ØE	F	Shackle	Swivel Hook	Eye Hook	No Fitting
SL321B-3	700	3/8	2.4	3.3	5.7	0.7	1.75	1.7	1.7	1.7	1.3	
SL321B-4	1100	3/8 - 1/2	2.9	4.3	7.0	0.75	2.25	1.8	3	3	3	2.2
SL321B-6	2000	5/8 - 3/4	4.3	6.0	9.8	1.3	3.5	2.8	6	6	6	4.4
SL321B-8	3300	7/8 - 1	5.7	7.6	12.2	1.4	4.75	3.3	12	12	12	10
SL321B-10	5000	1 - 1 1/4	6.8	9.0	14.5	1.7	6.0	3.7	20	20	20	17
SL321B-12	8900	1 1/4 - 1 1/2	9.3	12.0	18.6	1.9	8.0	4.1	42	42	42	32

- Blocks built to 4:1 Design Factor.
- Blocks made with Bronze Bushed sheaves to SAE40 specifications.
- Available with self-lubricating graphite bronze sheave bushing per ASTM B438.
- All accessories are forged.
- Dimensions shown represent current models and are subject to change.
- Blocks shown are standard models.
- Custom models available upon request.

See our warnings & application instructions



No Fitting (NF)



Shackle (S)



Swivel Hook (SH)



Eye Hook (H)



Special

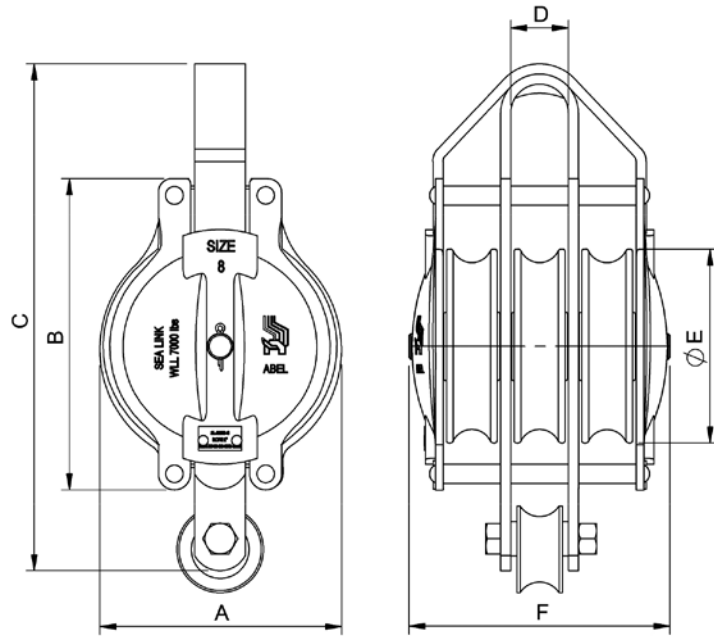
Model Nr.	WLL Lbs	Rope ØR	Dimensions						Weight (lbs)			
			A	B	C	ØD	ØE	F	S	SH	H	NF
									Shackle	Swivel Hook	Eye Hook	No Fitting
SL322B-3	1100	3/8	2.4	3.3	5.9	0.6	1.75	2.6	2.8	2.8	2.8	2.5
SL322B-4	1600	3/8 - 1/2	2.9	4.3	7.2	0.6	2.25	2.8	4.6	4.6	4.6	3.8
SL322B-6	3300	5/8 - 3/4	4.3	6.0	10.0	1.1	3.5	4.3	10	10	10	8
SL322B-8	5100	7/8 - 1	5.7	7.6	12.4	1.4	4.75	4.9	18	18	18	16
SL322B-10	7700	1 - 1 1/4	6.8	9.0	14.8	1.5	6.0	6.0	32	32	32	29
SL322B-12	15600	1 1/4 - 1 1/2	9.3	12.0	18.9	1.9	8.0	7.2	56	56	56	46

- Blocks built to 4:1 Design Factor.
- Blocks made with Bronze Bushed sheaves to SAE40 specifications.
- Available with self-lubricating graphite bronze sheave bushing per ASTM B438.
- All accessories are forged.
- Dimensions shown represent current models and are subject to change.
- Blocks shown are standard models.
- Custom models available upon request.

See our warnings & application instructions



No Fitting (NF)



Shackle (S)



Swivel Hook (SH)



Eye Hook (H)



Special

Model Nr.	WLL Lbs	Rope ØR	Dimensions						Weight (lbs)			
			A	B	C	D	ØE	F	S	SH	H	NF
									Shackle	Swivel Hook	Eye Hook	No Fitting
SL323B-3	1400	3/8	2.4	3.3	5.9	0.7	1.75	3.5	4.3	4.3	4.3	4.0
SL323B-4	2200	3/8 - 1/2	2.9	4.3	7.2	0.75	2.25	3.7	5.6	5.6	5.6	4.8
SL323B-6	4000	5/8 - 3/4	4.3	6.0	10.0	1.3	3.5	5.9	13	13	13	12
SL323B-8	7000	7/8 - 1	5.7	7.6	12.4	1.4	4.75	6.3	24	24	24	22
SL323B-10	10000	1 - 1 1/4	6.8	9.0	14.8	1.7	6.0	7.6	39	39	39	35
SL323B-12	17000	1 1/4 - 1 1/2	9.3	12.0	18.9	1.9	8.0	9.3	70	70	70	61

- Blocks built to 4:1 Design Factor.
- Blocks made with Bronze Bushed sheaves to SAE40 specifications.
- Available with self-lubricating graphite bronze sheave bushing per ASTM B438.
- All accessories are forged.
- Dimensions shown represent current models and are subject to change.
- Blocks shown are standard models.
- Custom models available upon request.

See our warnings & application instructions