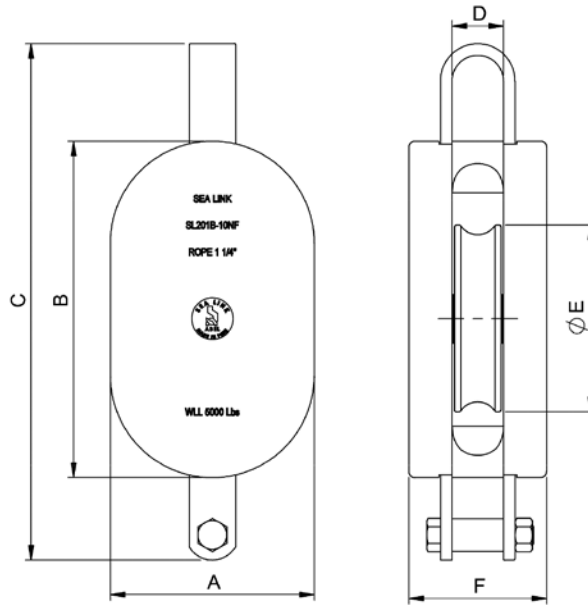


200 Series Heavy Duty Wood Shell Blocks





No Fitting (NF)



Shackle (S)



Swivel Hook (SH)



Eye Hook (H)

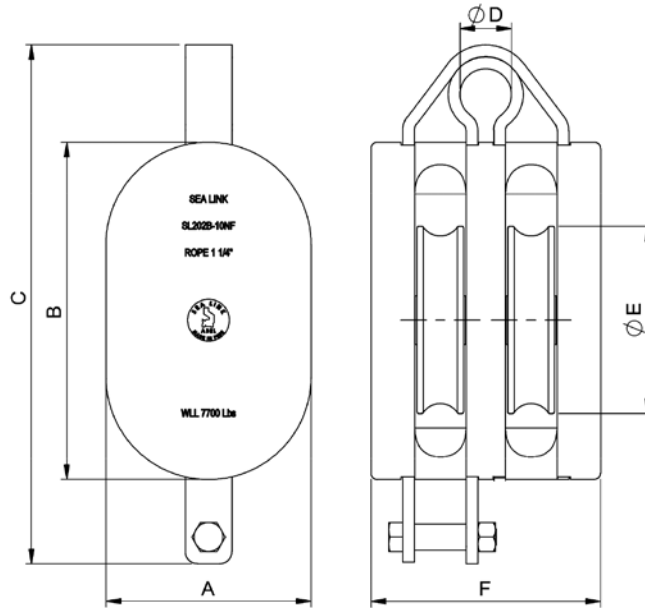
Model Nr.	WLL Lbs	Rope ØR	Dimensions						Weight (lbs)			
									S	SH	H	NF
			A	B	C	D	ØE	F	Shackle	Swivel Hook	Eye Hook	No Fitting
SL201B-6	2000	3/4	4.1	6.9	10.4	1.3	3.5	3.7	5.5	5.5	5.5	4
SL201B-8	3300	1 1/8	5.3	8.7	13.8	1.5	4.75	4.2	13	13	13	10
SL201B-10	5000	1 1/4	6.6	10.8	16.6	1.7	6.0	4.4	22	22	22	17
SL201B-12	6800	1 1/2	8.5	12.8	21.0	1.9	8.0	5.2	37	37	37	28
SL201B-14	9600	1 3/4	10.2	16.3	25.6	2.2	9.5	5.8	59	59	59	46
SL201B-16	12000	2	11.7	18.7	29.6	2.7	11.0	6.7	82	82	82	65

- Blocks built to 4:1 Design Factor.
- Blocks made with Bronze Bushed sheaves to SAE40 specifications.
- Available with self-lubricating graphite bronze sheave bushing per ASTM B438.
- All accessories are forged.
- Blocks made with Santa Maria Hardwood, which has properties that are favorable for use in wood shell blocks.
- Dimensions shown represent current models and are subject to change.
- Blocks shown here are standard models.
- Custom models available upon request.

See our warnings & application instructions



No Fitting (NF)



Shackle (S)



Swivel Hook (SH)



Eye Hook (H)

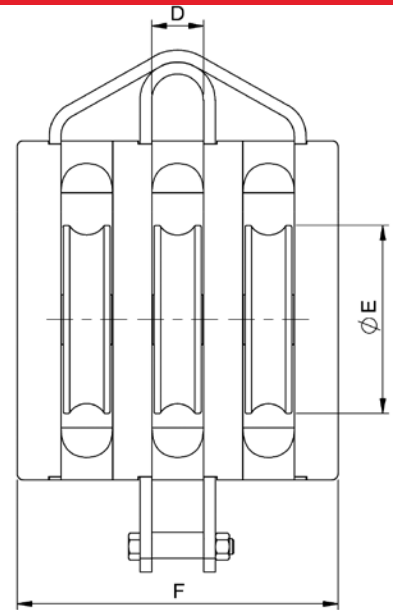
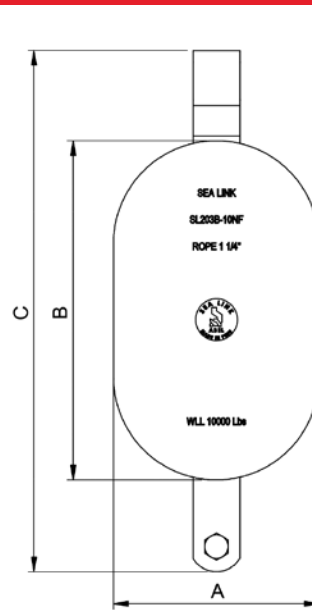
Model Nr.	WLL Lbs	Rope ØR	Dimensions						Weight (lbs)			
									S	SH	H	NF
			Shackle	Swivel Hook	Eye Hook	No Fitting						
SL202B-6	3300	3/4	4.1	6.9	10.7	1.0	3.5	5.8	8	8	8	7
SL202B-8	5100	1 1/8	5.3	8.7	14.8	1.3	4.75	6.8	20	20	20	17
SL202B-10	7700	1 1/4	6.6	10.8	16.6	1.7	6	7.4	34	34	34	29
SL202B-12	10600	1 1/2	8.5	12.8	21.0	2.0	8	8.4	59	59	59	49
SL202B-14	15000	1 3/4	10.2	16.3	25.6	2.2	9.5	9.4	96	96	96	84
SL202B-16	19000	2	11.7	18.7	30.1	2.2	11	11.2	132	132	132	114

- Blocks built to 4:1 Design Factor.
- Blocks made with Bronze Bushed sheaves to SAE40 specifications.
- Available with self-lubricating graphite bronze sheave bushing per ASTM B438.
- All accessories are forged.
- Blocks made with Santa Maria Hardwood, which has properties that are favorable for use in wood shell blocks.
- Dimensions shown represent current models and are subject to change.
- Blocks shown here are standard models.
- Custom models available upon request.

See our warnings & application instructions



No Fitting (NF)



Shackle (S)



Swivel Hook (SH)



Eye Hook (H)

Model Nr.	WLL Lbs	Rope ØR	Dimensions						Weight (lbs)			
			A	B	C	D	ØE	F	S Shackle	SH Swivel Hook	H Eye Hook	NF No Fitting
SL203B-6	4000	3/4	4.1	6.9	10.7	1.3	3.5	8.0	11	11	11	9
SL203B-8	7000	1 1/8	5.3	8.7	14.8	1.3	4.75	9.3	25	25	25	22
SL203B-10	10000	1 1/4	6.6	10.8	16.6	1.7	6	10.3	43	43	43	37
SL203B-12	14000	1 1/2	8.5	12.8	20.7	2.0	8	11.7	73	73	73	63
SL203B-14	20000	1 3/4	10.2	16.3	25.6	2.2	9.5	13.1	114	114	114	102
SL203B-16	24000	2	11.7	18.7	30.1	2.7	11	15.7	166	166	166	149

- Blocks built to 4:1 Design Factor.
- Blocks made with Bronze Bushed sheaves to SAE40 specifications.
- Available with self-lubricating graphite bronze sheave bushing per ASTM B438.
- All accessories are forged.
- Blocks made with Santa Maria Hardwood, which has properties that are favorable for use in wood shell blocks.
- Dimensions shown represent current models and are subject to change.
- Blocks shown here are standard models.
- Custom models available upon request.

See our warnings & application instructions