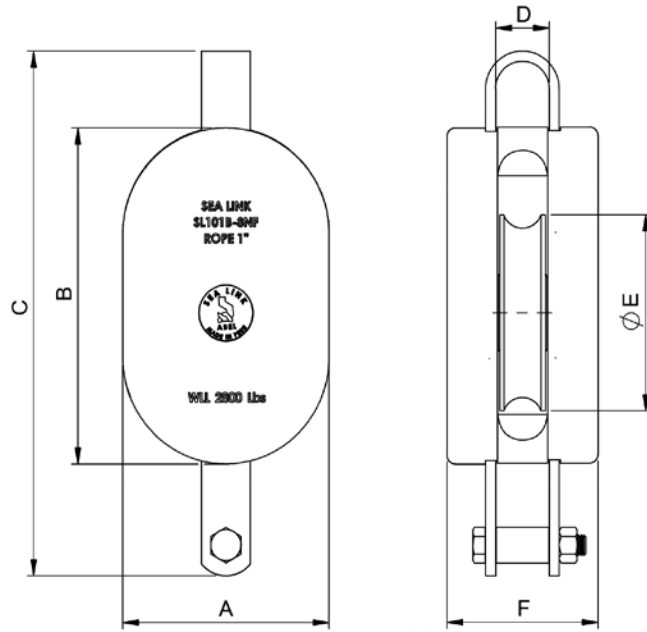


# 100 Series Wood Shell Blocks





No Fitting (NF)



Shackle (S)



Swivel Hook (SH)



Eye Hook (H)

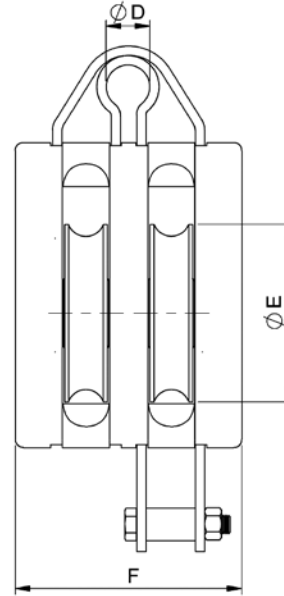
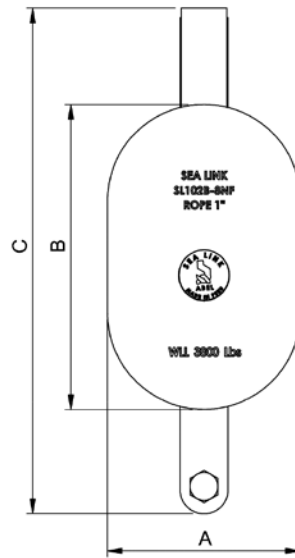
Model Nr.	WLL Lbs	Rope ØR	Dimensions						Weight (lbs)			
			A	B	C	D	ØE	F	S	SH	H	NF
									Shackle	Swivel Hook	Eye Hook	No Fitting
SL101B-3	500	3/8	2.3	3.7	6.1	0.6	1.75	1.9	1.2	1.2	1.2	1
SL101B-4	1000	1/2	2.8	4.6	7.5	0.7	2.25	2.2	2.3	2.3	2.3	1.5
SL101B-5	1200	5/8	3.5	5.7	9.2	1.0	3.0	3.1	4	4	4	3
SL101B-6	1800	3/4	4.1	6.9	10.5	1.1	3.5	3.1	5	5	5	4
SL101B-8	2800	7/8 - 1	5.2	8.1	12.7	1.3	4.75	3.8	13	13	13	11
SL101B-10	4000	1 1/8	6.6	10.8	16.0	1.5	6.0	4.0	18	18	18	12
SL101B-12	5000	1 1/4	8.5	12.8	19.3	1.7	8.0	4.7	30	30	30	23

- Blocks built to 4:1 Design Factor
- Blocks made with Sheave bronze bushings to SAE40 specifications
- All accessories are forged
- Blocks made with Santa Maria Hardwood, which has properties that are favorable for use in wood shell blocks
- Dimensions shown represent current models and are subject to change
- Blocks shown are standard models
- Custom models available upon request

See our warnings & application instructions



No Fitting (NF)



Shackle (S)



Swivel Hook (SH)



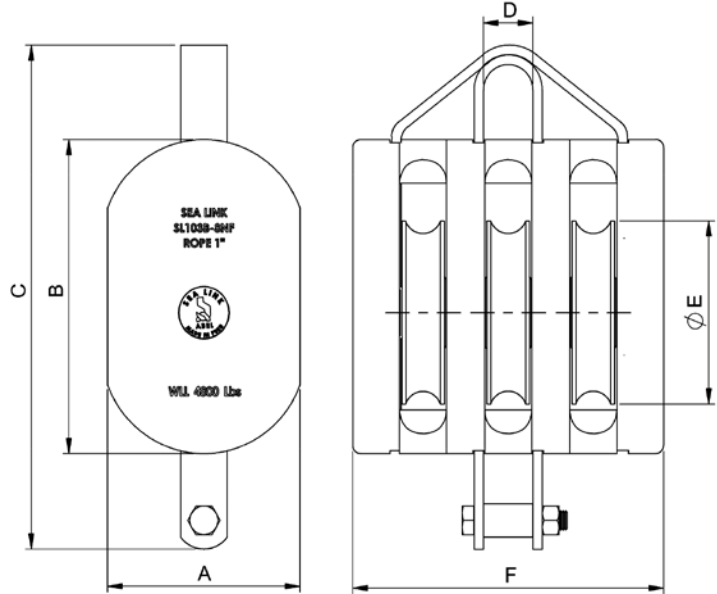
Eye Hook (H)

Model Nr.	WLL Lbs	Rope ØR	Dimensions						Weight (lbs)			
			A	B	C	ØD	ØE	F	S	SH	H	NF
									Shackle	Swivel Hook	Eye Hook	No Fitting
SL102B-3	800	3/8	2.3	3.7	6.1	0.7	1.75	3.0	1.9	1.9	1.9	1.6
SL102B-4	1400	1/2	2.8	4.6	7.4	0.8	2.25	3.6	3.5	3.5	3.5	2.8
SL102B-5	1800	5/8	3.5	5.7	9.4	1.0	3.0	4.8	6.5	6.5	6.5	5
SL102B-6	2500	3/4	4.1	6.9	10.6	1.0	3.5	5.0	8	8	8	7
SL102B-8	3800	7/8 - 1	5.2	8.1	13.5	1.2	4.75	6.1	16	16	16	14
SL102B-10	6000	1 1/8	6.6	10.8	16.4	1.7	6.0	6.6	27	27	27	22
SL102B-12	8000	1 1/4	8.5	12.8	20.4	2.0	8.0	7.9	49	49	49	42

See our warnings & application instructions



No Fitting (NF)



Shackle (S)



Swivel Hook (SH)



Eye Hook (H)

Model Nr.	WLL Lbs	Rope ØR	Dimensions						Weight (lbs)			
			A	B	C	D	ØE	F	S Shackle	SH Swivel Hook	H Eye Hook	NF No Fitting
SL103B-3	1200	3/8	2.3	3.7	6.1	0.7	1.75	4.2	2.3	2.3	2.3	2.0
SL103B-4	1800	1/2	2.8	4.6	7.6	0.8	2.25	5.0	4	4	4	3.4
SL103B-5	2400	5/8	3.5	5.7	9.4	1.0	3.0	6.6	8	8	8	6.6
SL103B-6	3200	3/4	4.1	6.9	11.0	1.3	3.5	7.0	10	10	10	9
SL103B-8	4800	7/8 - 1	5.2	8.1	13.0	1.4	4.75	8.3	20	20	20	18
SL103B-10	8000	1 1/8	6.6	10.8	16.3	1.6	6.0	9.1	34	34	34	29
SL103B-12	10000	1 1/4	8.5	12.8	20.2	1.9	8.0	11.7	63	63	63	56

- Blocks built to 4:1 Design Factor
- Blocks made with Sheave bronze bushings to SAE40 specifications
- All accessories are forged
- Blocks made with Santa Maria Hardwood, which has properties that are favorable for use in wood shell blocks
- Dimensions shown represent current models and are subject to change
- Blocks shown are standard models
- Custom models available upon request

See our warnings & application instructions